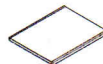
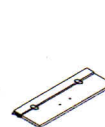
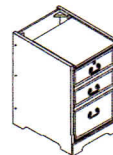
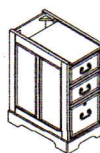
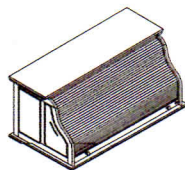
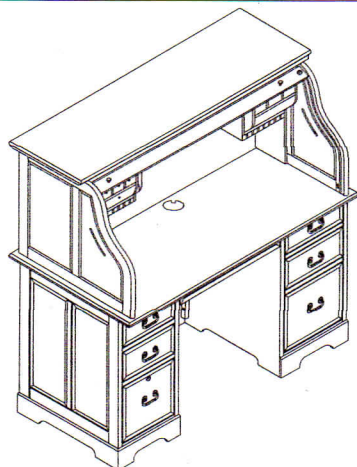


COMPUTER ROLLTOP DESK (FOR # GC-5428)



N: Shelf

A: Top section of desk B: Back Panel C: Left Base D: Right Base E: Tray Frame F: Shelf

G: Short Head Cap Bolt



2 pcs

J: Rvc Corer



1 pc

H: Long Head Cap Bolt



6 pcs

K: Wood Screw



8 pcs

I: Hex Wrench



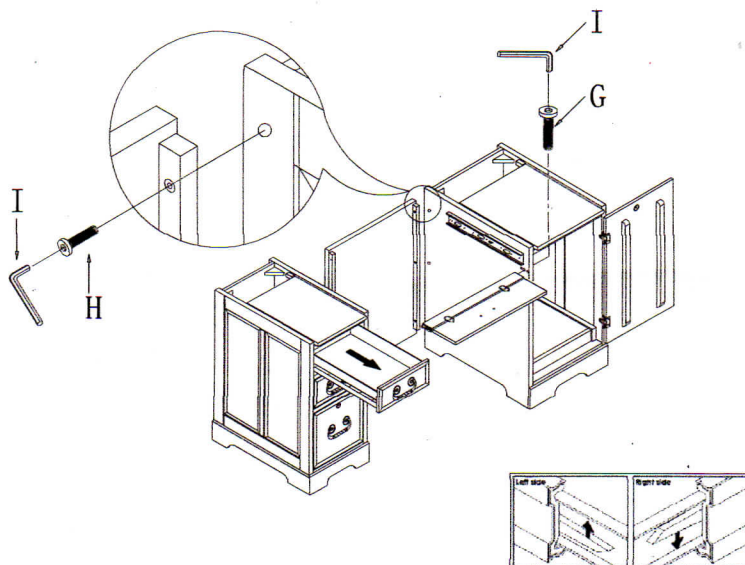
1 pc

M: Key

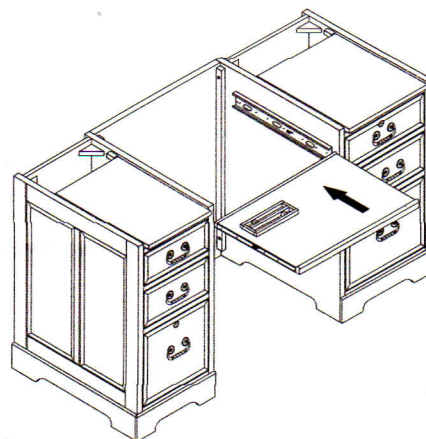


3 pcs

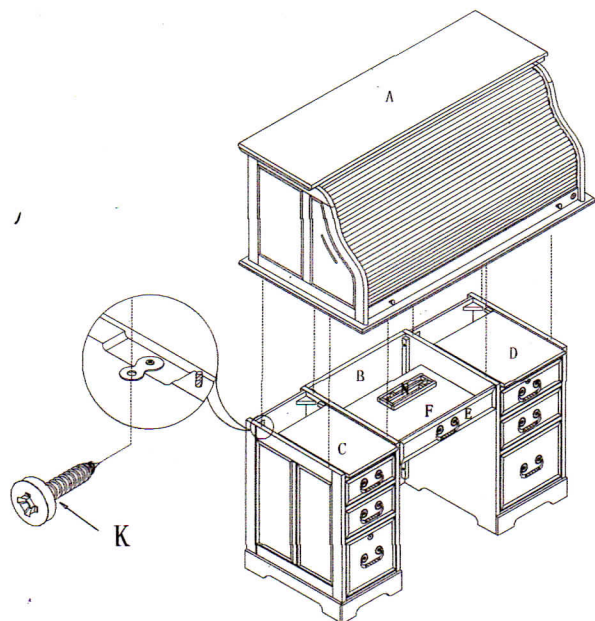
Step 1



Step 2



Step 3



Step 4

