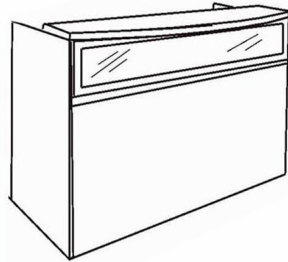


Reception Desk with Glass Window Assembly Instructions



BK/CH/FL/ML/MWAL/WH2069+GLASS

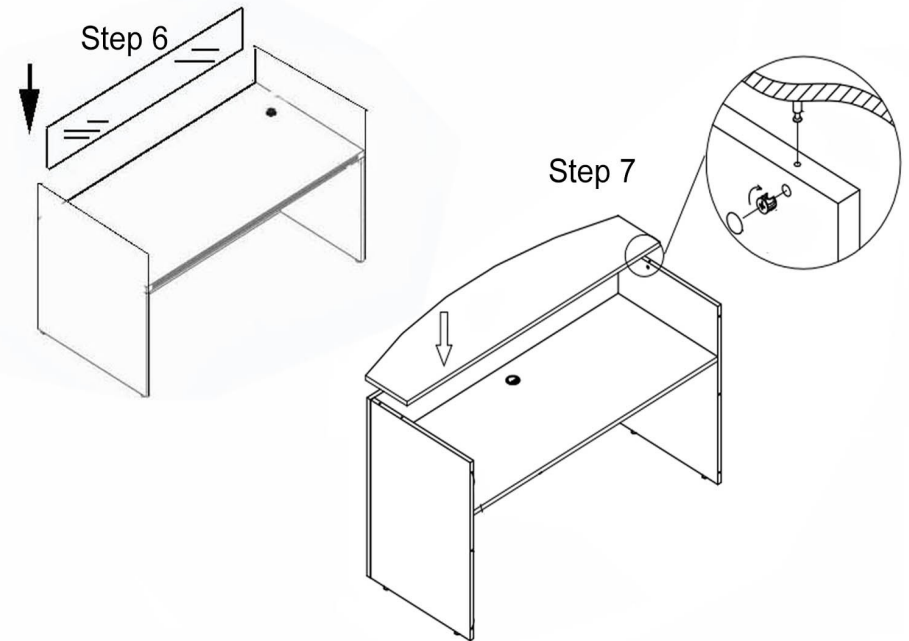
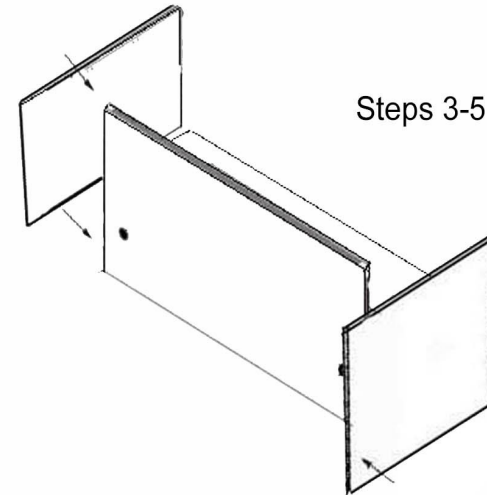
List of Hardware:

Part	Part
 Wood Dowel	 Cap
 Cam Pin	 Leveling Glide
 Cam Lock	 Grommet

Tools Needed:

- Phillips Screwdriver
- A helper!

- 1.) Assemble on carpet or cardboard to protect parts during assembly. Assembly will require 2 people for safety.
- 2.) First, screw in all leveling glides and insert all wooden dowels, cam locks and cam pins into the panels
- 3.) Lay the front panel on the ground and connect one of the Side Panels. Use a Phillips Screwdriver to twist each cam lock to secure each cam pin.
- 4.) Next, attach the desktop to the Side Panel and Front Panel.
- 5.) Attach the other Side Panel.
- 6.) Stand the desk upright with a helper. Then, place the Window over the desktop, making sure the wooden dowels are inserted into the desktop to go into the window frame.



7.) Attach the counter top to the Window and Side Panels.

8.) Your last step is to insert the grommets into the desktop and caps over the cam locks.

Questions? Please call 1-800-443-5117.

Customer Service available 8:30 - 5:00 Central Time, Monday - Friday