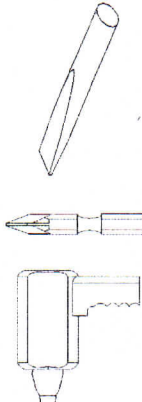
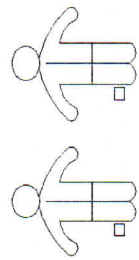


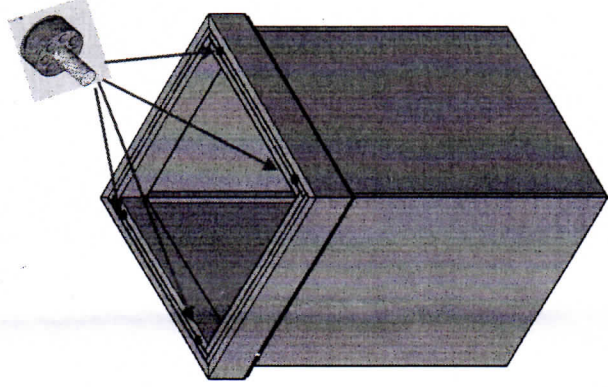
TOOLS REQUIRED



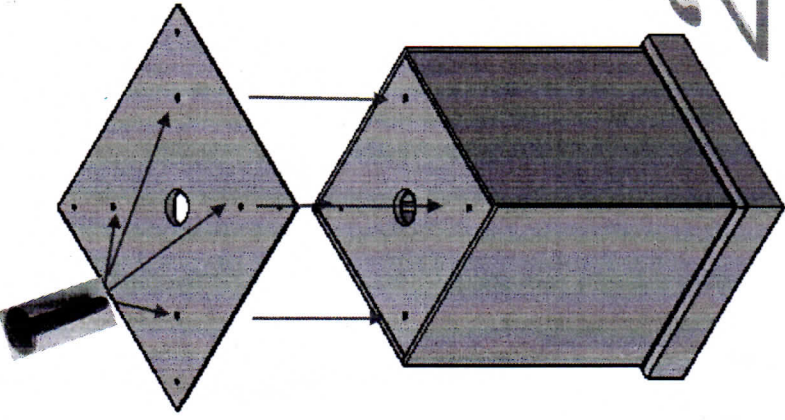
TWO PEOPLE REQUIRED



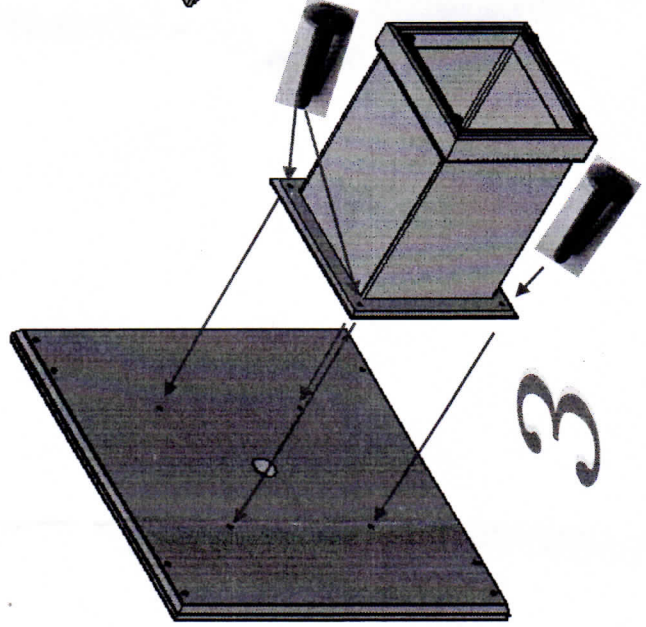
PARTS	SPEC	QTY.	NO.	PARTS	SPEC	QTY.
GLIDE (M8)		4				
SCREW M6*35		8				
SCREW M4*14		2				
THE UTILITY		1				
METAL PLATE		2				
SCREW M6*20		8				



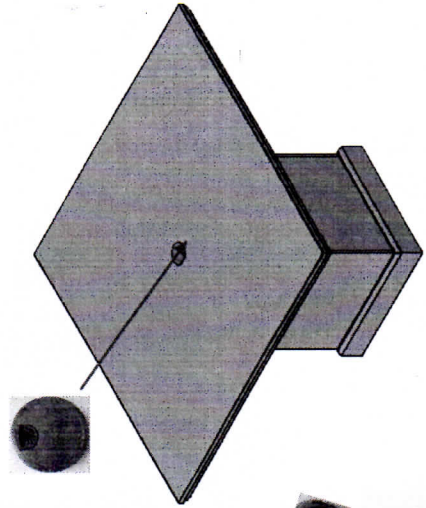
1



2



3



4