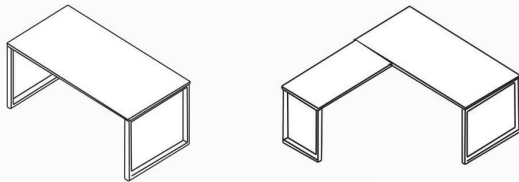


TrendSpaces Desk Series
Desk/Credenza Assembly Instructions
L-Desk Assembly Instructions
 (PLT2472, PLT3066, PLT3672 & PLT2448
 PLTLEGD2472, PLTLEGD30, PLTLEGD36 & PLTLEGD24)



List of Hardware:

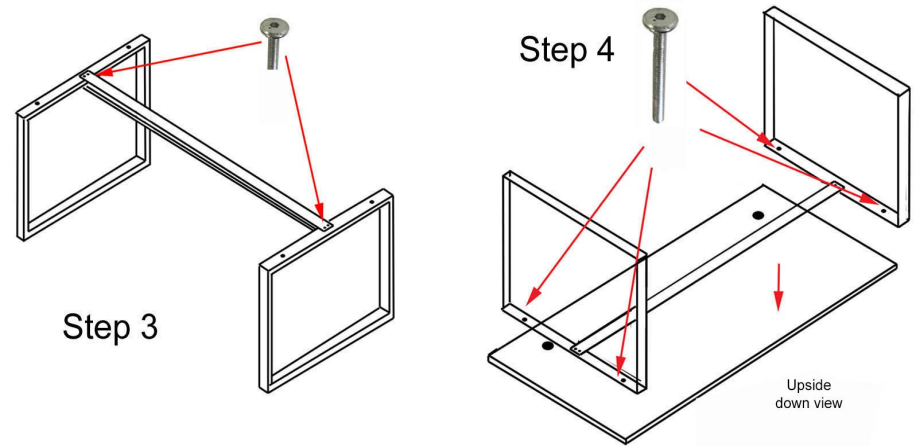
Part	Part
 Leveling Glide	 3/4" Bolt
 2-1/2" Bolt	 Bracket (for return desks only)
 Grommet	

Tools Needed:

- Allen Wrench included (to connect bolts)
- Power Screwdriver
- A Helper

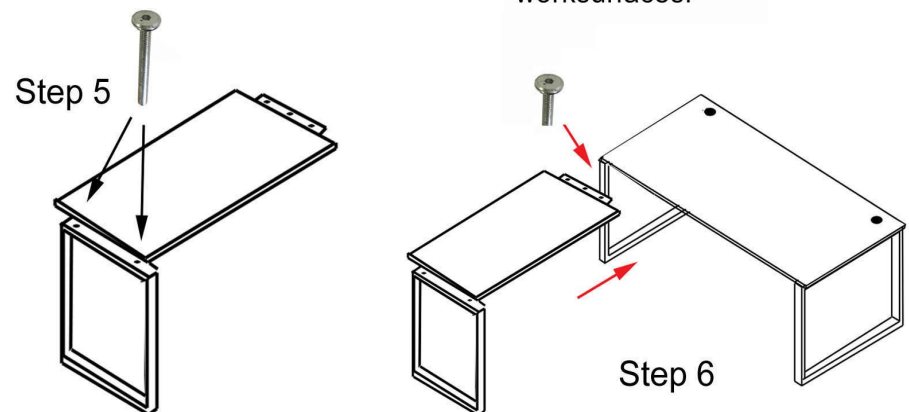
Desk or Credenza:

- 1.) Assemble on carpet or cardboard to protect parts during assembly. Assembly will require 2 people for safety.
- 2.) Screw in leveling glides on all frames.
- 3.) Next, assemble metal desk frame by attaching the cross beam to the left & right side legs. The bolts for the cross beam are already in the legs. Just back out, place beam and screw back in. Use 16 of the 3/4" bolts total for this step, 8 for each side.
- 4.) Use a total of 4 of the 2" Bolts to attach the metal frame to the worksurface. Once connected, insert the grommets.



Return Desk:

- 5.) If you purchased an L-desk, attach the return desk end leg to the desktop with 2 more 2" Bolts, that are taped to the leg.
- 6.) The mounting bracket will already be installed on the return desktop. Use a total of 6 of the 3/4" Bolts to attach the bracket to the underside of the two worksurfaces.



Questions? Please call 1-800-443-5117.
 Customer Service available 8:30 - 5:00 Central Time, Monday - Friday