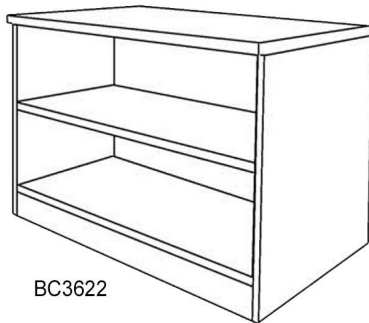


# TrendSpaces Desk Series

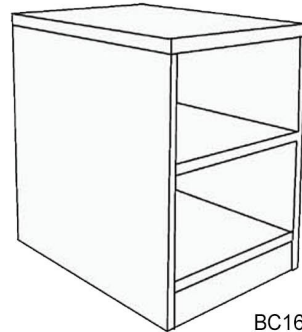
Y11130 - 36"W Open Storage Unit

Y11132 - TrendSpaces Small Stackable Open Storage Unit

## Assembly Instructions



BC3622



BC1622

## PARTS LIST

Part	Part
 Wood Dowel	 Leveling Glide
 Cam Pin	 Shelf Pin
 Cam Lock	 Cap
	 Stickers

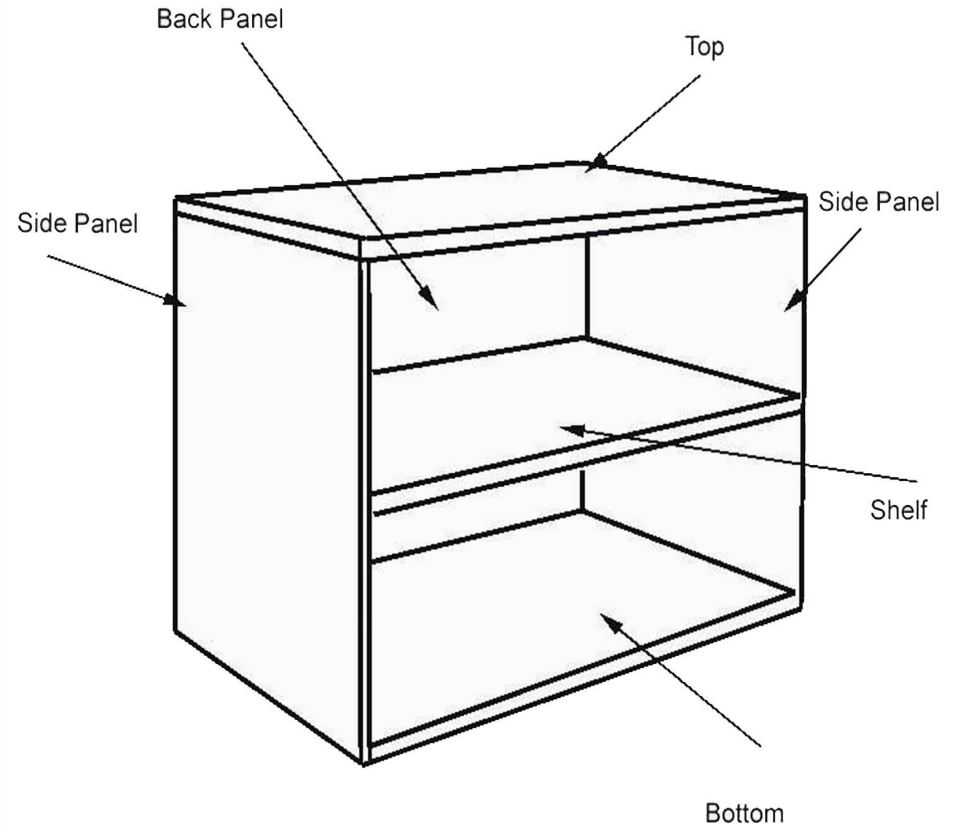
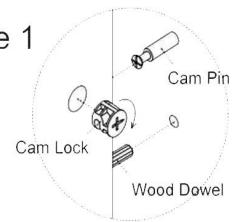
- 1.) Screw in all camlock pins and insert all wooden dowels in both SIDE PANELS, BACK PANEL, TOP and BOTTOM.
- 2.) Assemble the bookcase on its side. Begin by attaching the BOTTOM and one SIDE PANEL by placing it over the cam pins and inserting the cam locks. DO NOT YET TIGHTEN.
- 3.) Assemble the bookcase on its side. Begin by attaching the base with the trim piece by placing it over the cam pins and inserting the cam locks. DO NOT YET TIGHTEN.
- 4.) Connect BACK PANEL using same hardware method.
- 5.) Connect TOP and othe SIDE PANEL. When done, TIGHTEN ALL CAM LOCKS.
- 6.) Turn unit right side up and place in area of intended use. Insert shelf pins and SHELF where desired.
- 7.) Cover the cam locks with the caps provided.
- 8.) Use the stickers provided to cover any top surface pre-drilled holes, that won't be used to attach a hutch or desk frame.

**Tools Needed:**  
-Phillips Screwdriver  
- A helper!

Special Note:

Location & number of cam pin, cam lock and dowel holes may vary.

Figure 1



Questions? Please call 1-800-443-5117.

Customer Service available 8:30 - 5:00 Central Time, Monday - Friday