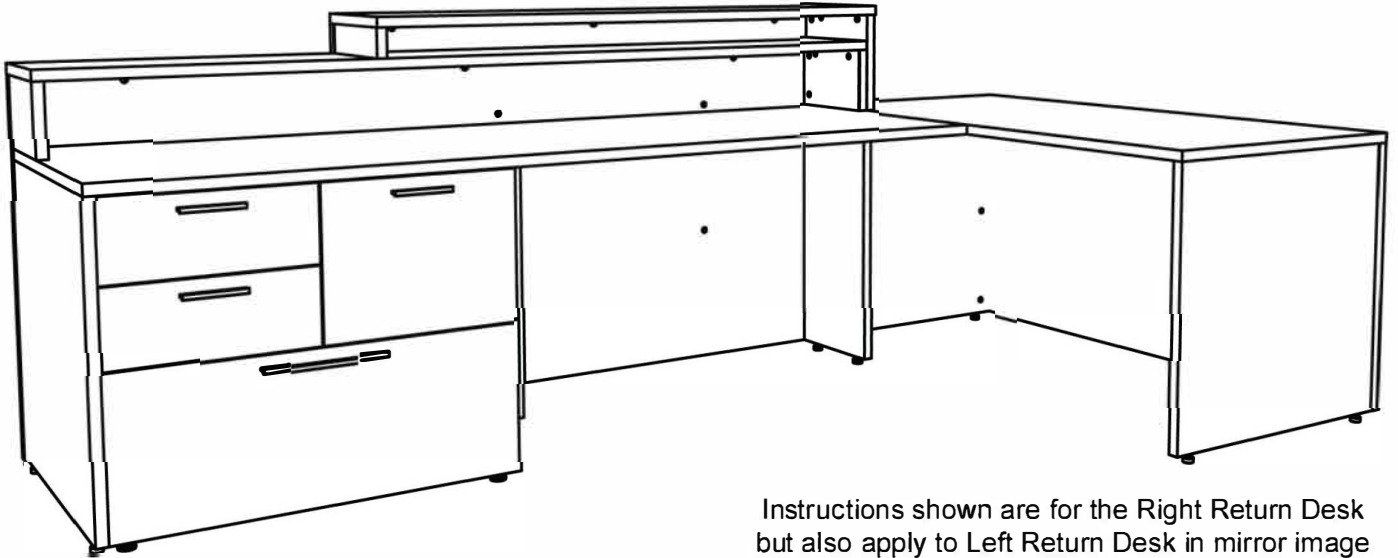
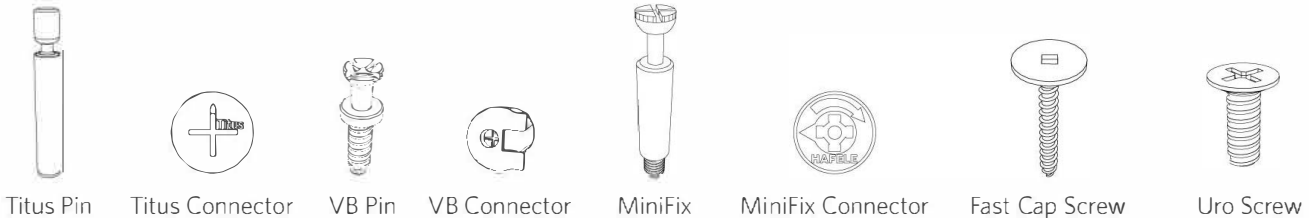


## Y11364 & Y11365 Contrasts Custom L-Shaped Reception Desk Assembly Instructions



Instructions shown are for the Right Return Desk but also apply to Left Return Desk in mirror image

### INCLUDED HARDWARE



Titus Pin

Titus Connector

VB Pin

VB Connector

MiniFix

MiniFix Connector

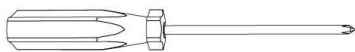
Fast Cap Screw

Uro Screw

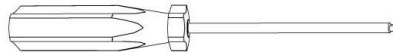


Mending Plate

### REQUIRED TOOLS



Phillips Screwdriver



Robertson Screwdriver



It is best to assemble our furniture with 2 or more persons.

The following instructions do not specify the amount of hardware included.  
Due to variations in design, a separate hardware list will be provided.

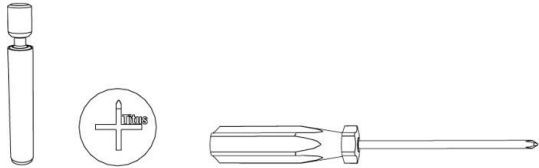
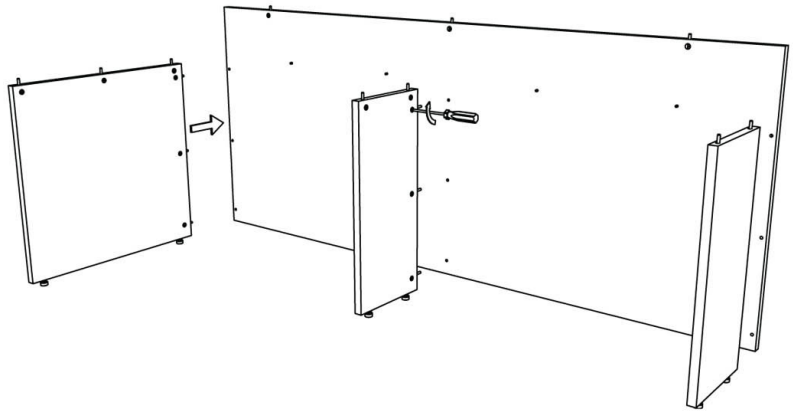
### STEP 1

#### Main Desk - Leg Installation

Rest the Modesty on the provided spacers.

Align the Titus pins on the legs to the pre-drilled holes on the modesty.

Fasten the Titus Connectors with a Phillips screwdriver.



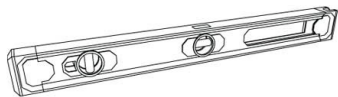
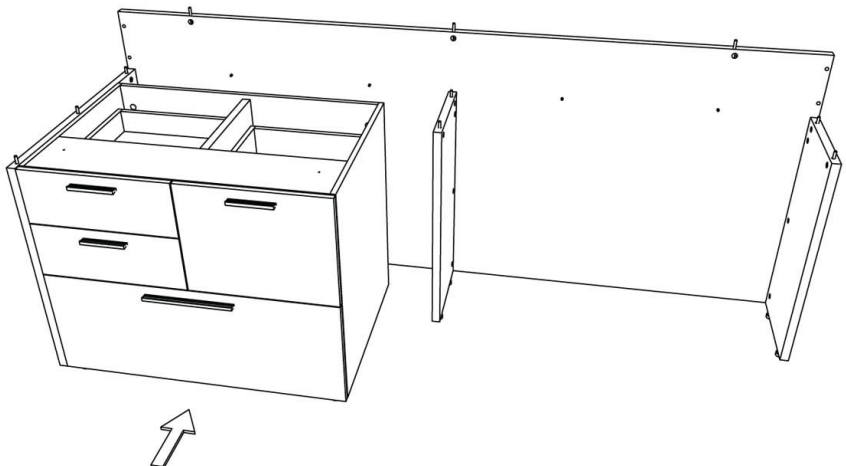
### STEP 2

#### Position the Pedestal

Align the door fronts to the leg.

Use a level to ensure the worksurface will lay properly.

Remove the two top drawers.

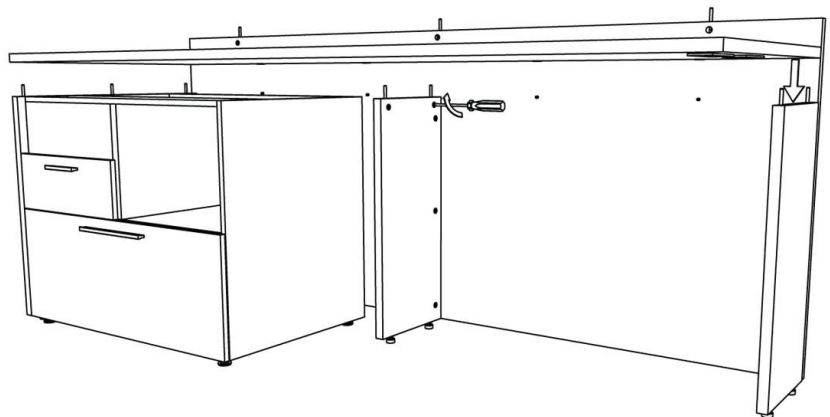


### STEP 3

#### Main Desk - Top Installation

Lower the top onto the Titus & VB Pins.

Fasten the worksurface using a Phillips screwdriver on the Titus Connectors and VB Connectors.



Questions? Please call 1-800-443-5117.

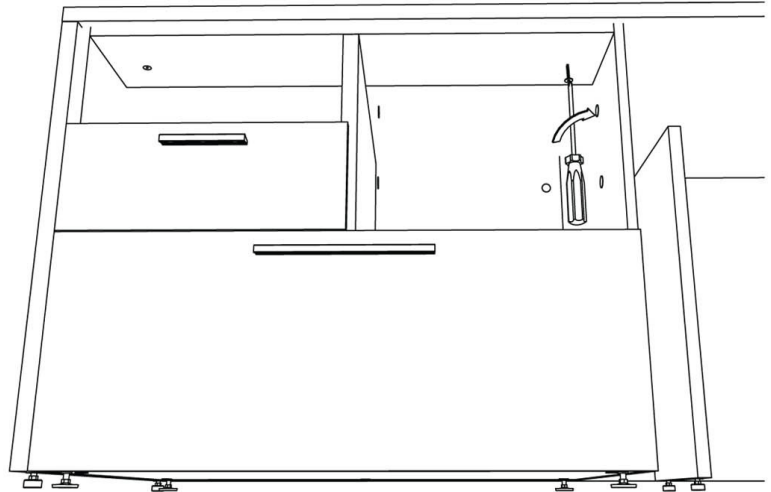
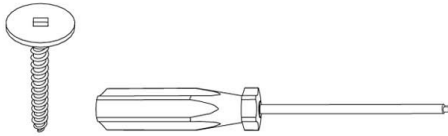
Customer Service available 8:30 - 5:00 Central Time, Monday - Friday

### STEP 4

#### Pedestal Installation

Remove the two top drawers of the pedestal. Use 2 Panhead Screws and a Phillips screwdriver.

Slide the drawers back onto the glides.

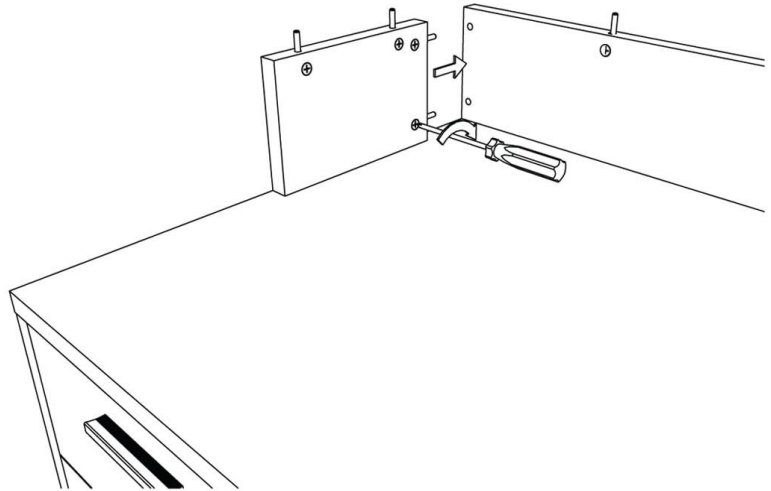
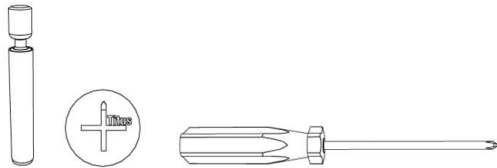


### STEP 5

#### Main Desk - Upright Installation

Slide the 2nd uprights into place.

Fasten the Titus Connectors with a Phillips screwdriver.

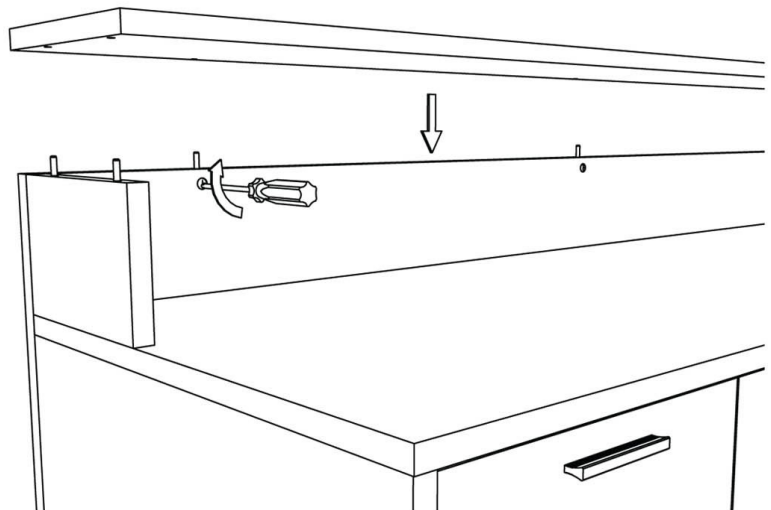
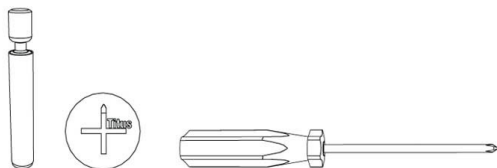


### STEP 6

#### Main Desk - Riser Top Installation

Lower the top onto the Titus Pins.

Fasten the Titus Connectors with a Phillips screwdriver.

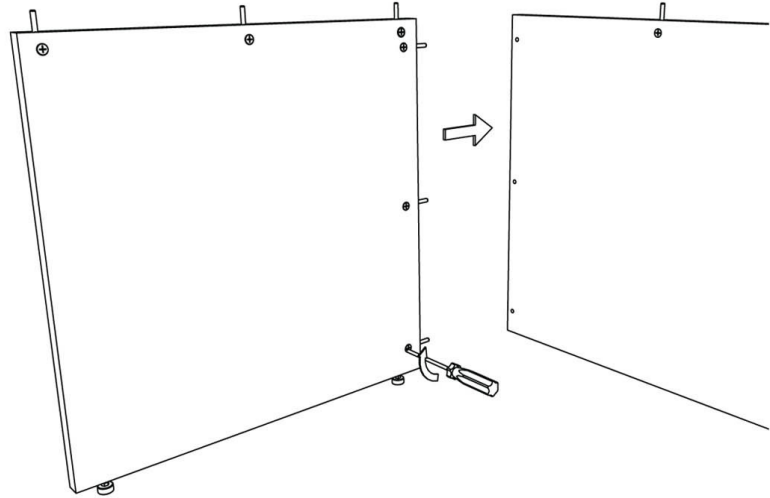
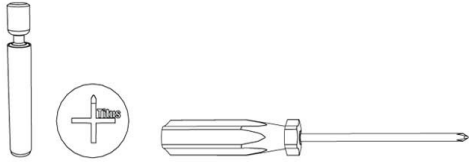


**STEP 7**

**Return Desk - Leg Installation**

Slide the leg Titus Pins into the modesty pre-drilled holes.

Fasten the Titus Connectors using a Phillips screwdriver.

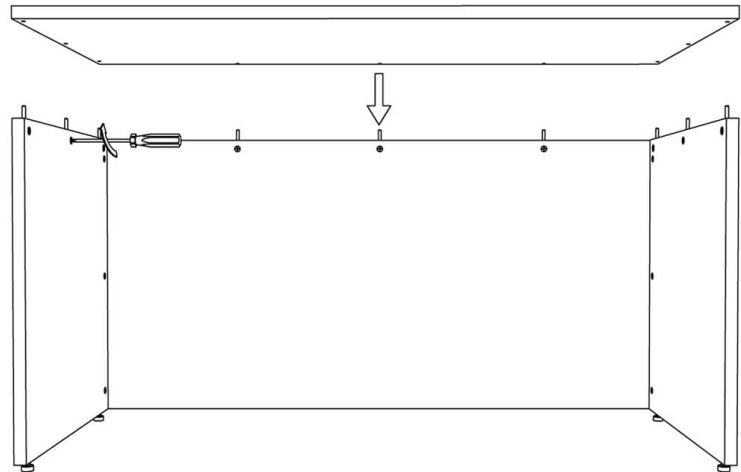
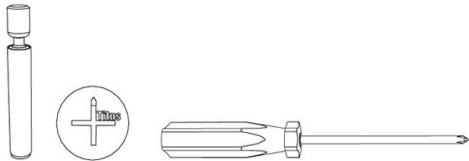


**STEP 8**

**Return Desk - Top Installation**

Lower the top onto the Titus Pins.

Fasten the Titus Connectors using a Phillips Screwdriver

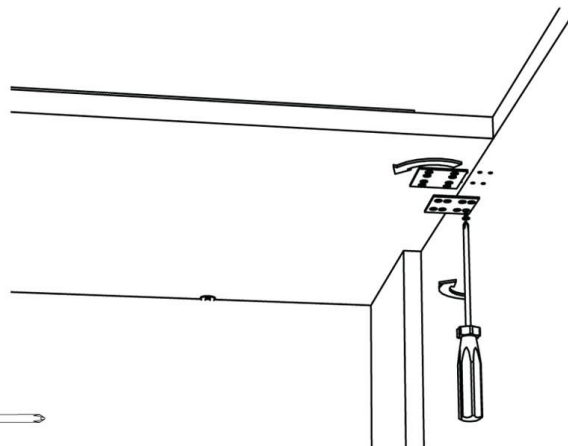
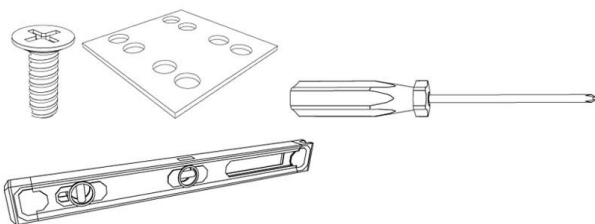


**STEP 9**

**Combine the Desks**

Push the desks together and level them out. Swing the Mending plates over top of the pre-drilled holes.

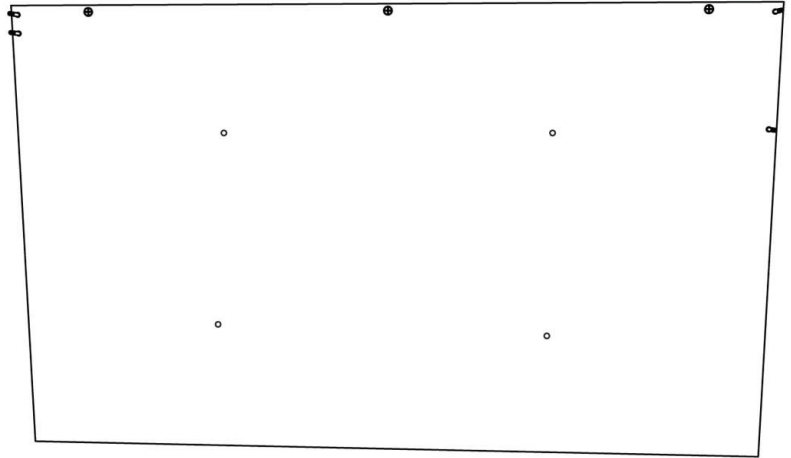
Fasten using Uro Screws.



**STEP 10**

**Greet Cap - Modesty**

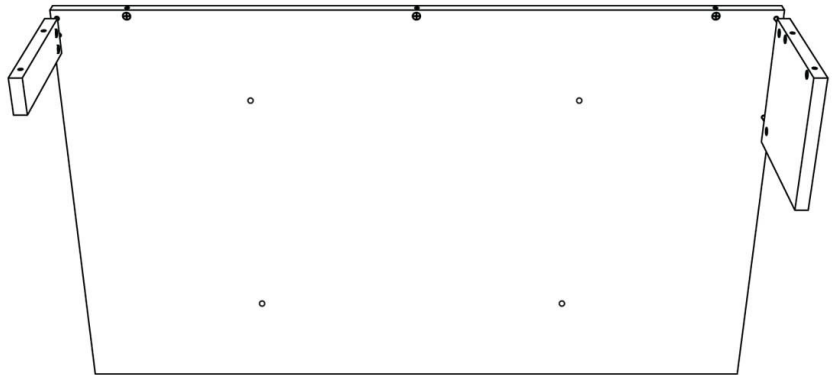
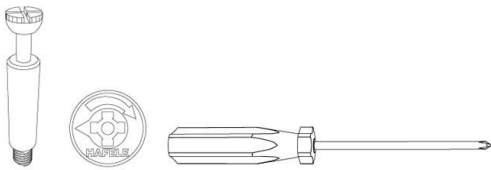
The Cap is built with MiniFix Pins which need to be fastened into brass dowels using a Phillips screwdriver.



**STEP 11**

**Greet Cap - Upright Installation**

Slide the Uprights onto the MiniFix Pins Fasten using the MiniFix Connectors and a Phillips screwdriver.

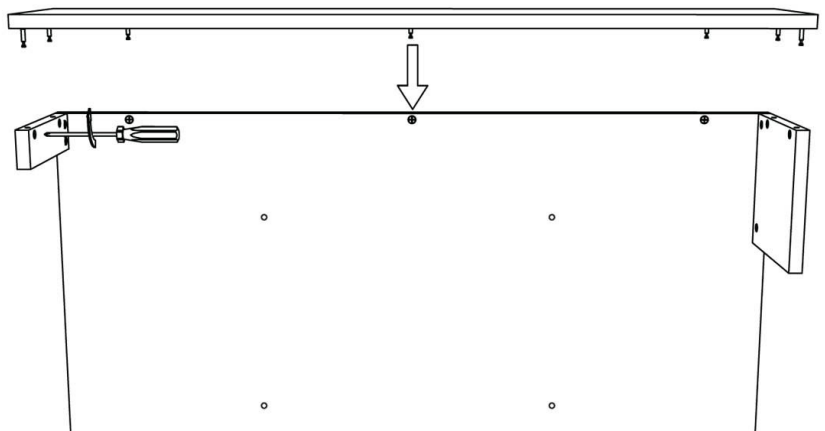
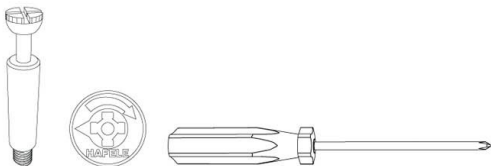


**STEP 12**

**Greet Cap - Top Installation**

Insert the MiniFix pins into the Top and place into the predrilled holes in the uprights.

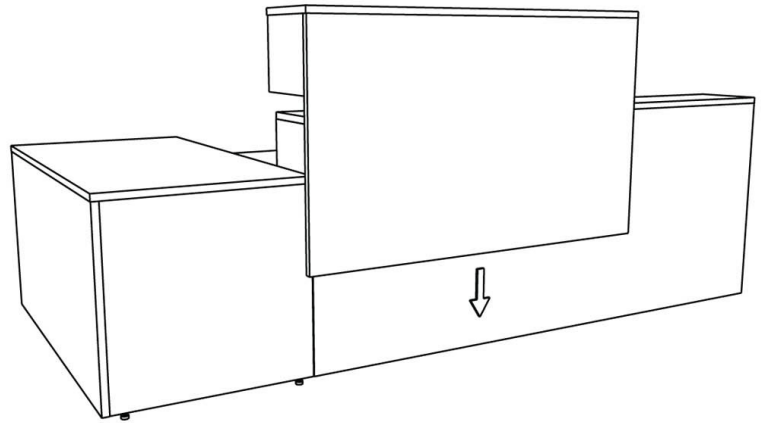
Fasten using the MiniFix Connectors and Phillips screwdriver.



**STEP 13**

**Greet Cap - Position**

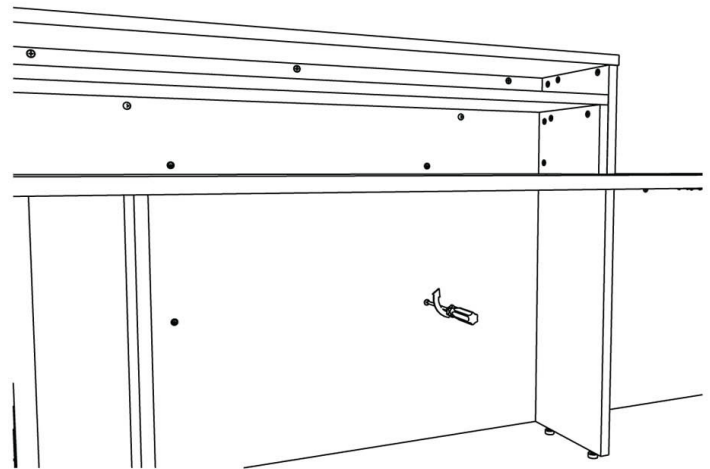
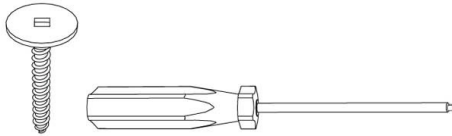
Place the Cap and align the pre-drilled holes from the Desk to the Cap.



**STEP 14**

**Greet Cap - Fasten**

Fasten using FastCap Screws and a Robertson screwdriver from under the desk.



**Finishing Touches**

Cover the visible connectors with the provided Fast Caps. Try to grain match for the best appearance. Adjust the levelers as needed.