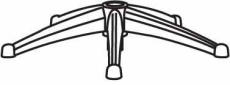
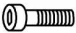

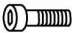
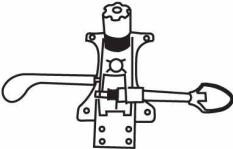

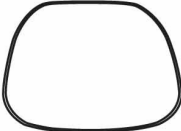









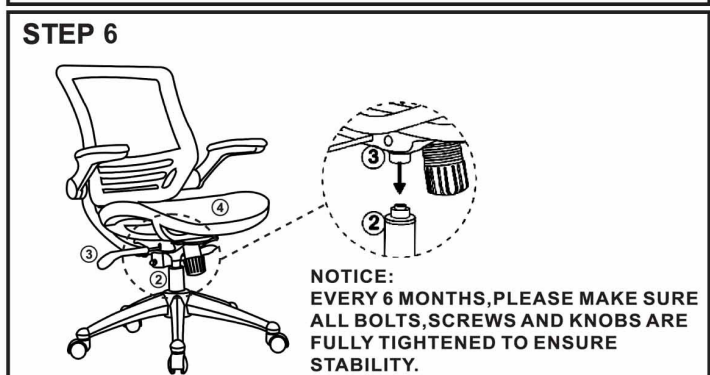
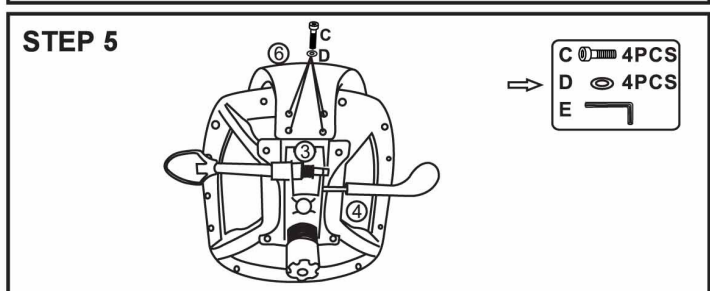
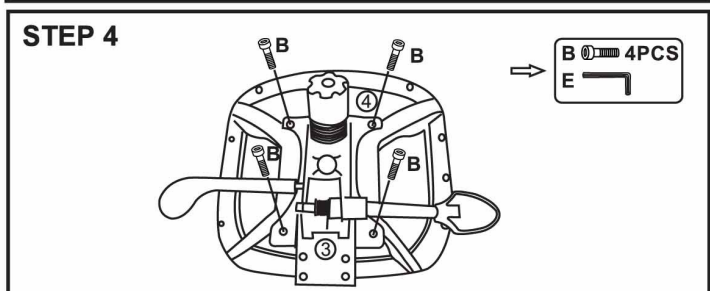
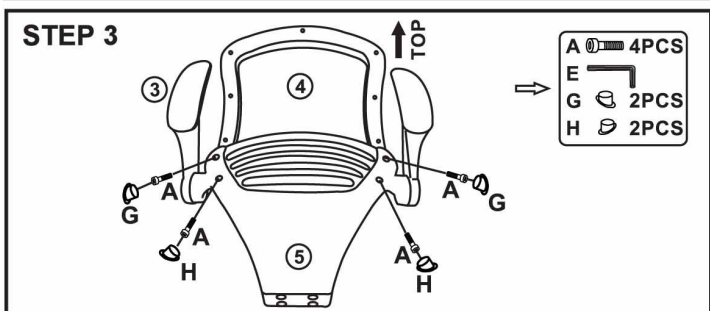
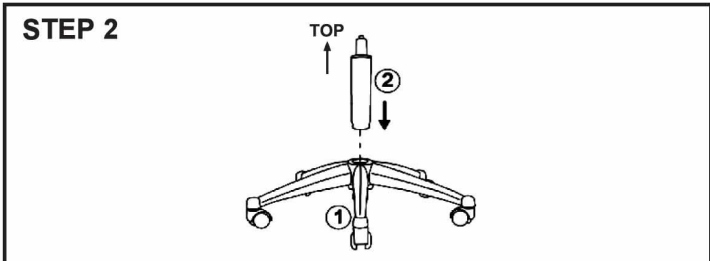
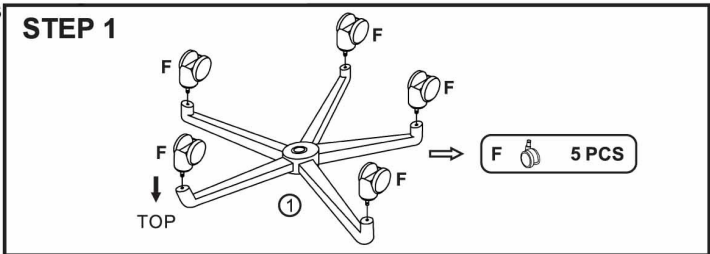


Y11852

Mesh Office Chair Assembly Instructions

PARTS

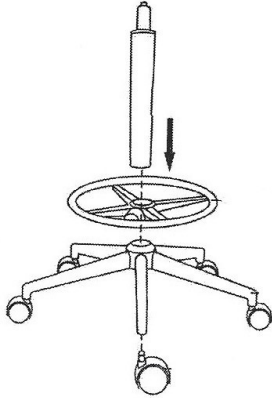
<p>① X 1</p> 	<p>A.M6*25 X 4</p> 
<p>② X 1</p> 	<p>B.M8*25 X 4</p> 
<p>③ X 1</p> 	<p>C.M8*30 X 4</p> 
<p>④ X 1</p> 	<p>D.X 4</p> 
<p>⑤ X 1</p> 	<p>E.X 1</p> 
<p>⑥ X 1</p> 	<p>F.X 5</p> 
<p>⑦ X 2</p> 	<p>G.X 2</p> 
<p>⑧ X 2</p> 	<p>H.X 2</p> 



Questions? Please call 1-800-443-5117.
Customer Service available 8:30 - 5:00 Central Time, Monday - Friday

BT-6336 / Stool Kit

Assembly Diagram



****Warning****

Reclining while seated at an elevated height can be a tip hazard. For safety, it is recommended that the forward tilt lock be engaged while at taller seated heights.