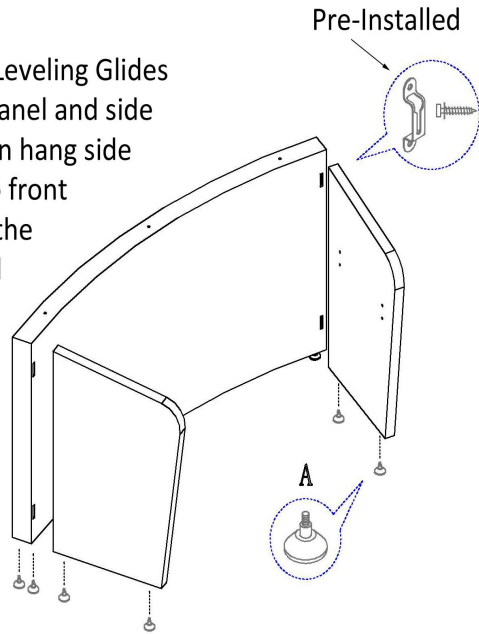
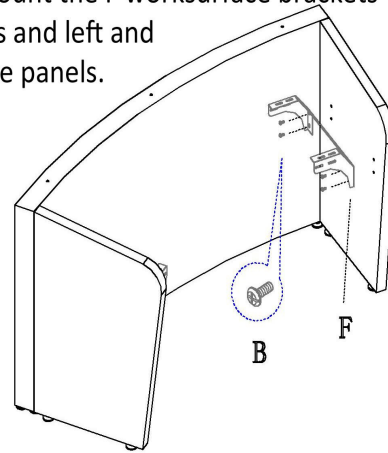


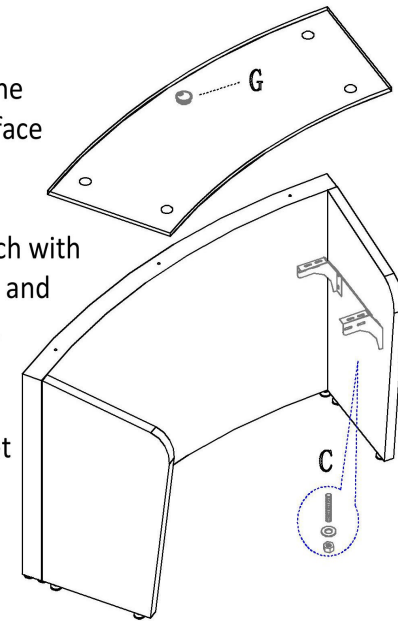
**Step 1:**  
Screw in A Leveling Glides into front panel and side panels. Then hang side panels onto front panel with the preinstalled brackets as shown.



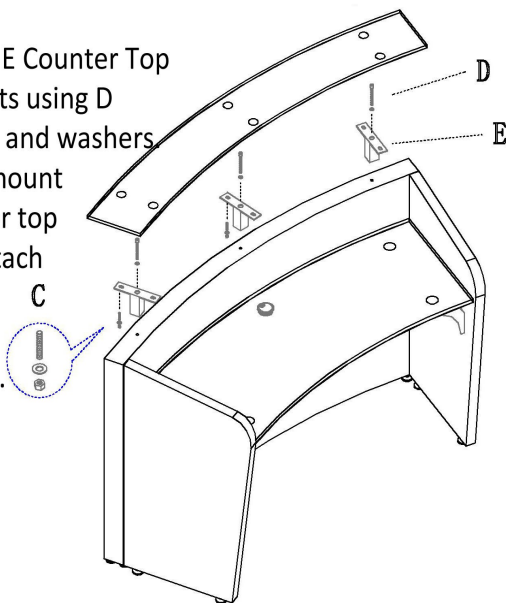
**Step 2:**  
Next, mount the F worksurface brackets with the B screws and left and right side panels.



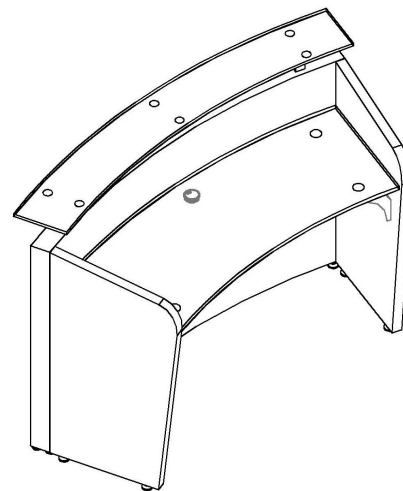
**Step 3:**  
Mount the worksurface on the brackets and attach with C screws and washers. Then, insert G Grommet in desktop.



**Step 4:**  
Attach E Counter Top Brackets using D screws and washers. Then mount counter top and attach with C screws.



Completed Look



A	B	C	D	E	F	G
10pcs	8pcs	8pcs	3pcs	3pcs	2pcs	1pc



Toll Free: 1-800-443-5117  
www.modernofficefurniture.com

Y11915 - Curved Reception Desk  
Assembly Instructions

Questions?  
Call Customer Service at 1-800-443-5117  
8:30 - 5:00 CT, Mon-Fri