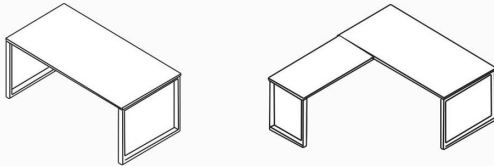


TrendSpaces Desk Series
Desk/Credenza Assembly Instructions
L-Desk Assembly Instructions
 (PLT2472, PLT3066, PLT3672 & PLT2448
 PLTLEGD2472, PLTLEGD30, PLTLEGD36 & PLTLEGD24)



Desk or Credenza:

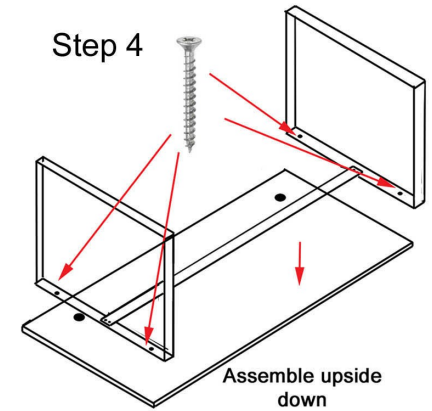
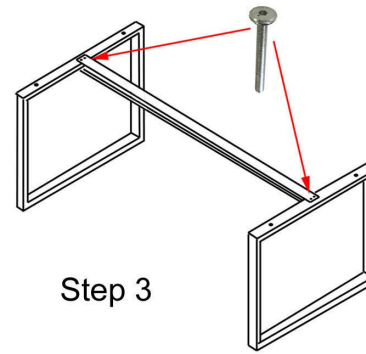
- 1.) Assemble on carpet or cardboard to protect parts during assembly. Assembly will require 2 people for safety.
- 2.) Screw in leveling glides on all frames.
- 3.) Next, assemble metal desk frame by attaching the cross beam to the left & right side legs. The bolts for the cross beam are already in the legs. Just back out, place beam and screw back in.
- 4.) Next, attach frame to desk top using the pointed tip, self-threading wood screws included with the desk top. To properly align, assemble upside down. Align and connect frame one side at a time with the edge of the frame aligned to the edge of the desktop. Use a power screwdriver to screw in 2-1/2" screw with washer through the frame and securely attach to top. Proceed to opposite leg/side and attach in same manner.

List of Hardware:

Part	Part
 Leveling Glide	 Bolt
 2-1/2" wood screw	 1" wood screw (included only with return desk)
 Grommet	

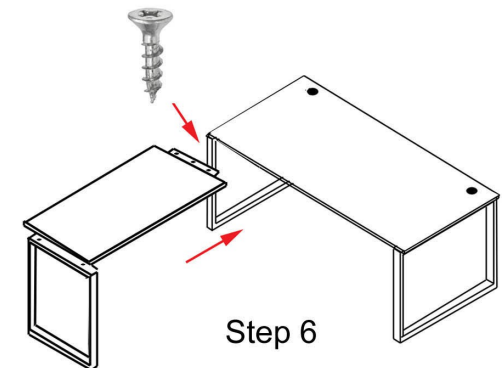
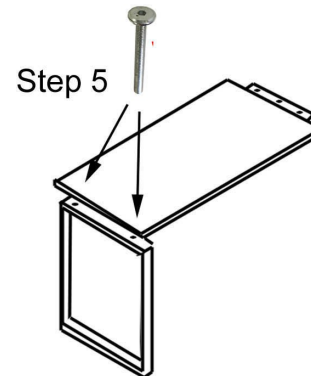
Tools Needed:

- Allen Wrench included (to connect bolts)
- Power Screwdriver
- A Helper



Return Desk:

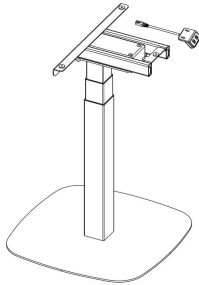
- 5.) If you purchased an L-desk, attach the return desk end leg to the desktop with the two bolts, that are taped to the leg.
- 6.) The mounting bracket will already be installed on the return desktop. Use the 1" pointed tip, self-threading wood screws included with desktop to connect to main desk.



Questions? Please call 1-800-443-5117.
 Customer Service available 8:30 - 5:00 Central Time, Monday - Friday

Y12894 - 96 & Y12904 Assembly Instructions

Questions? Call Customer Service at 1-800-443-5117, Monday - Friday 8:30 AM to 5:00 PM Central Time
www.modernofficefurniture.com



Technical data

Column Stage	3
Max. Weight Capacity	80KG
Height Range	580-1230mm
Width Range	38mm/s

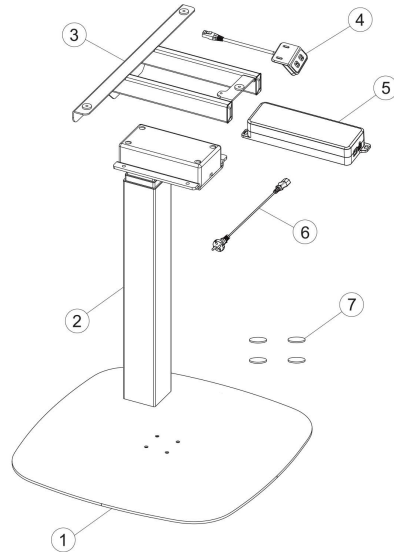
Accessory list

Attention: The drawings below are for guidance only and they may differ slightly from the product and fittings received. Please contact our customer service department should you have any queries.

No.	Image	Spec	Qty
A		M6	4
B		M6	4
C		St4.2	7
D		Cable Tie	4
E		St4.2	4
F		Allen Key 4x4mm	1

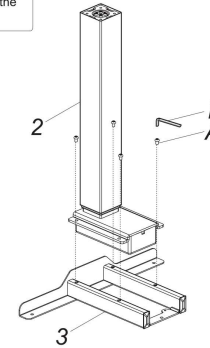
Component list

No.	Part	Qty	No.	Part	Qty
①	Foot	1	②	Lifting Column	1
No.	Part	Qty	No.	Part	Qty
③	Supporting Beam	1	④	Hand Switch (Option)	1
No.	Part	Qty	No.	Part	Qty
⑤	Control Box	1	⑥	Power Plug	1
No.	Part	Qty			
⑦	EVA pad	4			



STEP 1

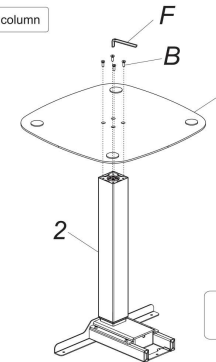
Install the Leg and the Supporting Beam



Connect the leg (2) and the supporting beam (3) with screw A, and then tighten them with 4x4 Allen Key (F).

STEP 2

Install the lifting column



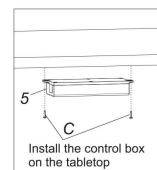
Connect the foot (1) and the lifting column (2) with the screw B, and tighten them with the 4x4 Allen Key (F).

STEP 3

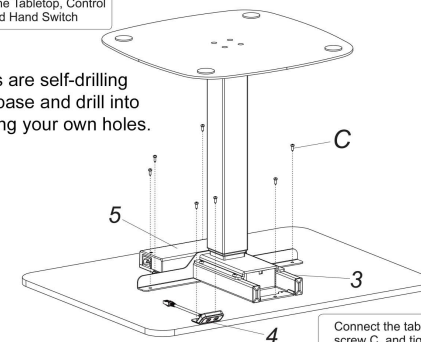
Install the Tabletop, Control Box, and Hand Switch



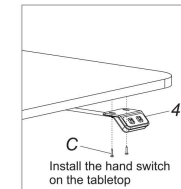
Wood Screws are self-drilling
Center top on base and drill into
underside, making your own holes.



Install the control box on the tabletop



Connect the tabletop and the supporting beam (3) with the screw C, and tighten them with a pistol drill.

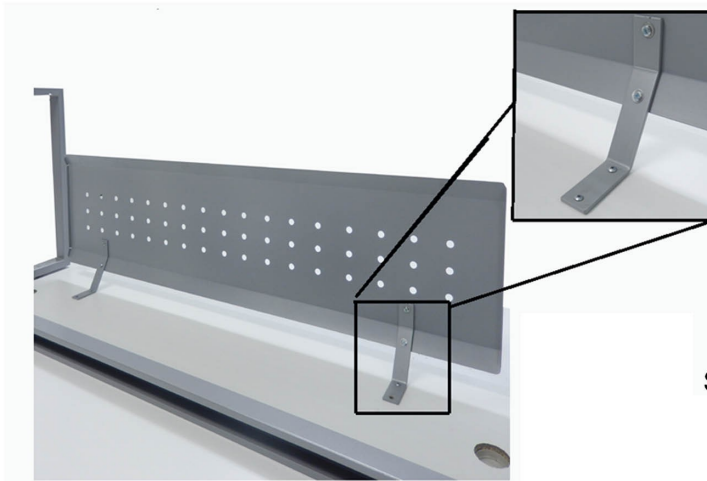


Install the hand switch on the tabletop

Y11129 Steel Modesty Panel Assembly Instructions (MMP6016-SLV)

Note: Holes are not predrilled on the underside of the worksurface due to the self-threading design of the pointed tip, coarse thread wood screws provided. The four wood screws will ensure a strong hold when screwed directly into the wood.

Positioning of the modesty panel is left to the personal preference of the user. It can either be placed flush to the front edge of the desk, or, set back several inches from the front edge.

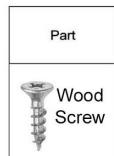


Step 1: Modesty Panel is easiest to attach when desk is upside down. Attach the two angled brackets to the modesty panel itself with the four bolts and washers provided. Screw silver caps on other side of panel once done.

Step 2: Next, measure your desktop and determine if you want your panel to overhang, be flush with, or be inset from the edge of the desktop. Line up modesty panel and mark holes where the angled bracket will be attached to the underside of the desk.

Step 3: Using a screwdriver or drill, attach the bracket by screwing the pointed wood screws into underside of the desk, over the marks. Once done, with a helper turn the desk upright.

List of Hardware:



Tools Needed:

- Screwdriver or power screwdriver
- A Helper.

Questions? Please call 1-800-443-5117.
Customer Service available 8:30 - 5:00 Central Time, Monday - Friday