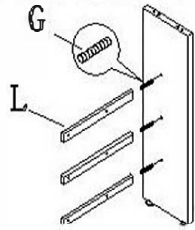


# Y12465/Y12466 - Reception Desk Assembly Instructions

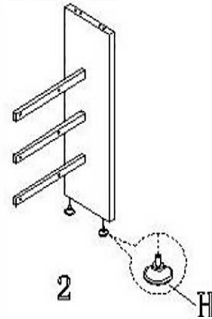
Tools Needed: Phillips Screwdriver & A Helper!

Step 1: Insert three L Front Panel Supports with G Dowels into vertical support panel.



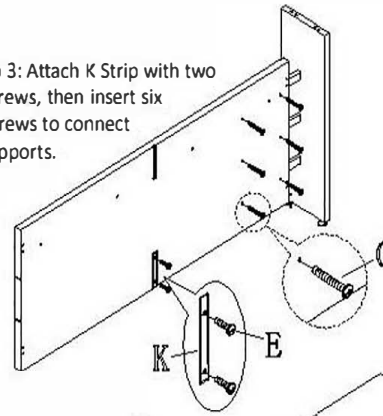
1

Step 2: Insert H Leveling Glides into vertical support.



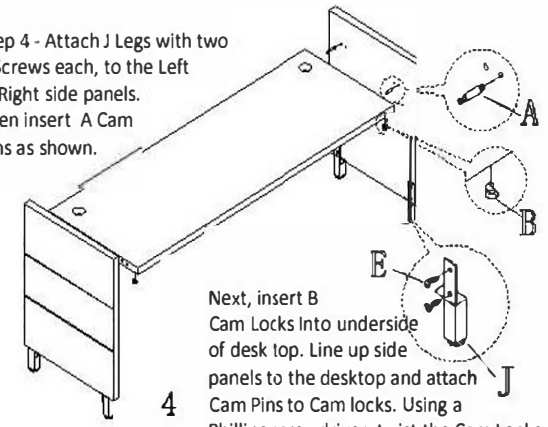
2

Step 3: Attach K Strip with two E Screws, then insert six C Screws to connect L Supports.



3

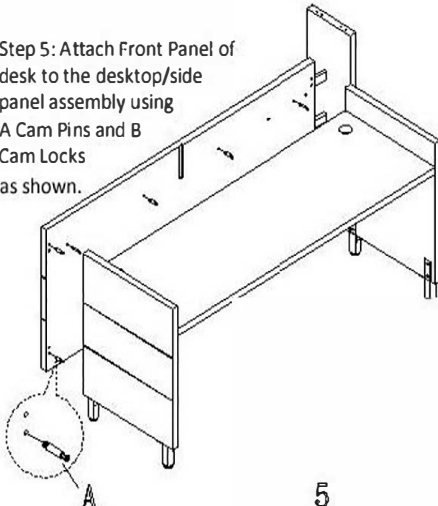
Step 4 - Attach J Legs with two E Screws each, to the Left & Right side panels. Then insert A Cam Pins as shown.



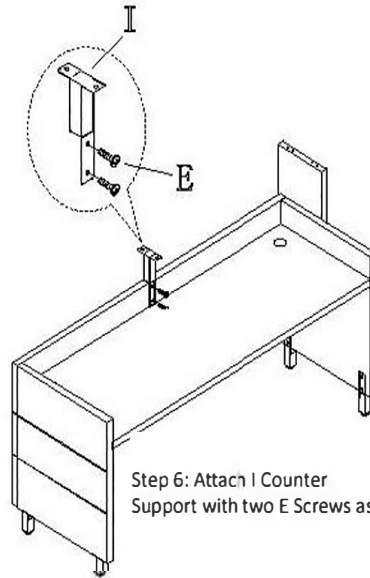
4

Next, insert B Cam Locks into underside of desk top. Line up side panels to the desktop and attach J Cam Pins to Cam locks. Using a Phillips screwdriver, twist the Cam Locks to secure connection.

Step 5: Attach Front Panel of desk to the desktop/side panel assembly using A Cam Pins and B Cam Locks as shown.

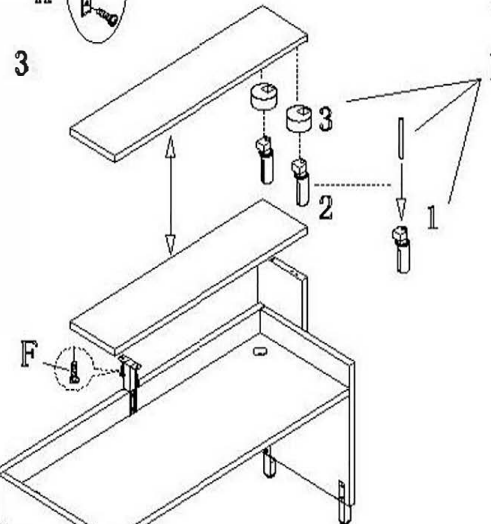


5



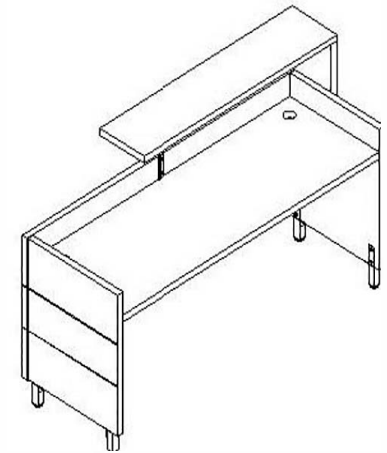
Step 6: Attach I Counter Support with two E Screws as shown.

6



Step 7: Attach Counter Top to I Counter Support using two F Screws as shown. Then, attach D hardware assembly into the vertical support for the counter.

7



8

OZ-830

	A	B	C	D	E	F	G	H	I	J	K	L
			 M6x45		 M6x20	 M6x16	 M6x30				 235x25mm	 400x30x15
	14pcs	14pcs	6pcs	2sets	20pcs	2pcs	3pcs	2pcs	1pc	4pcs	1pc	3pcs