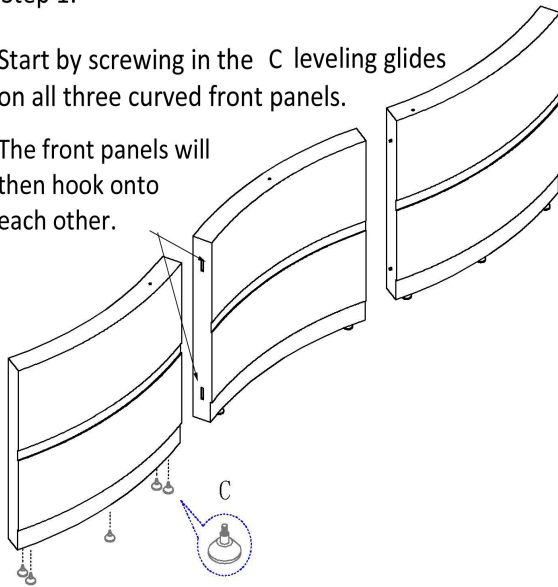


Step 1:

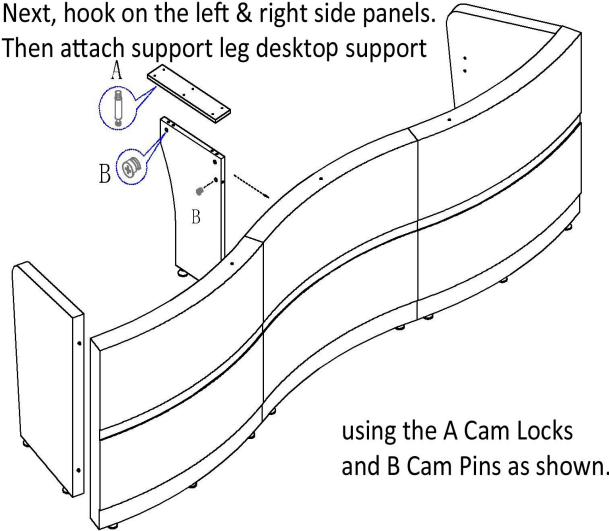
Start by screwing in the C leveling glides on all three curved front panels.

The front panels will then hook onto each other.



Step 2:

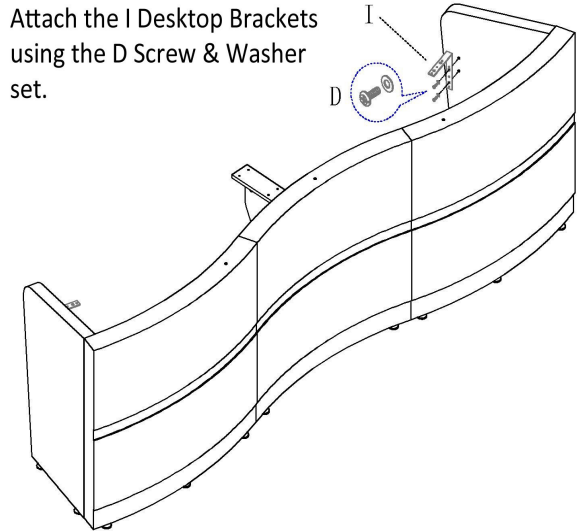
Insert C leveling glides on side panels & support leg. Next, hook on the left & right side panels. Then attach support leg desktop support



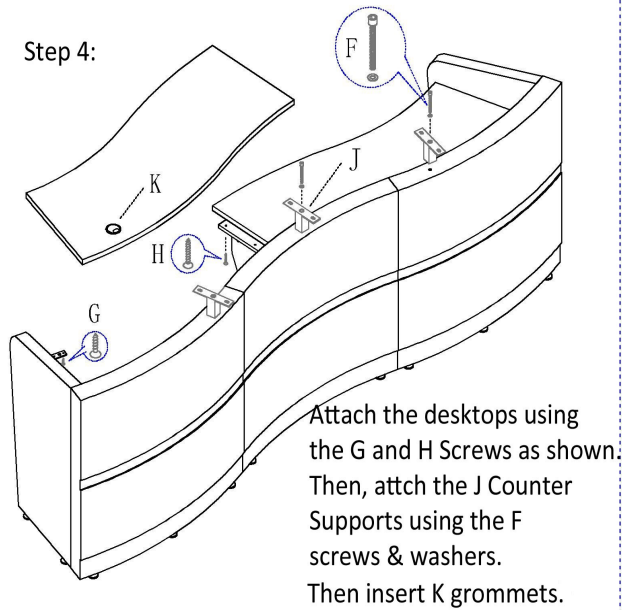
using the A Cam Locks and B Cam Pins as shown.

Step 3:

Attach the I Desktop Brackets using the D Screw & Washer set.



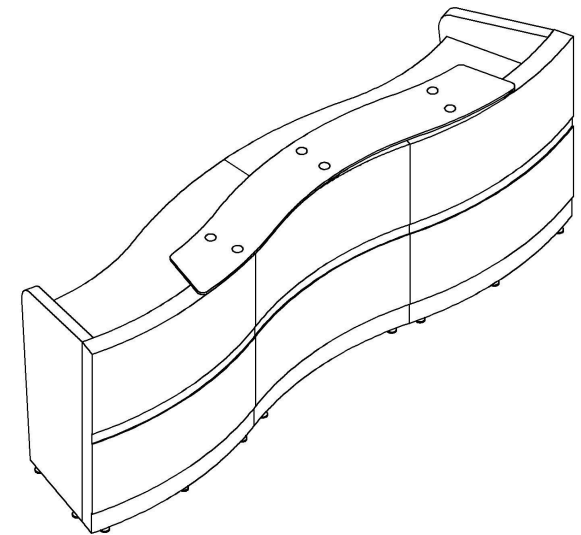
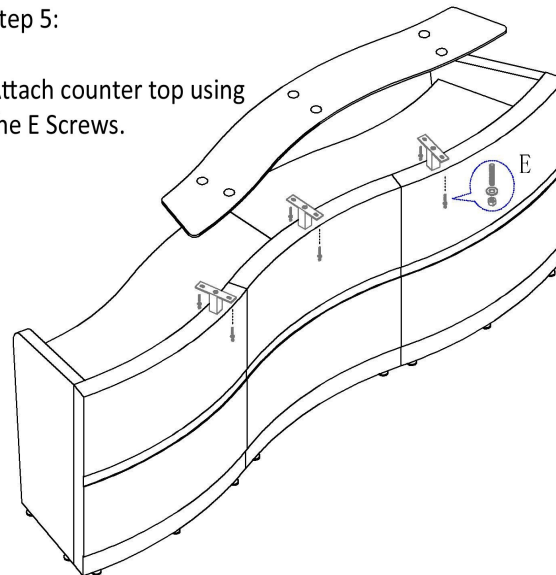
Step 4:



Attach the desktops using the G and H Screws as shown. Then, attach the J Counter Supports using the F screws & washers. Then insert K grommets.

Step 5:

Attach counter top using the E Screws.



A	B	C	D	E	F	G	H	I	J	K
4pcs	4pcs	21pcs	8pcs	6pcs	3pcs	4pcs	6pcs	4pcs	3pcs	2pcs