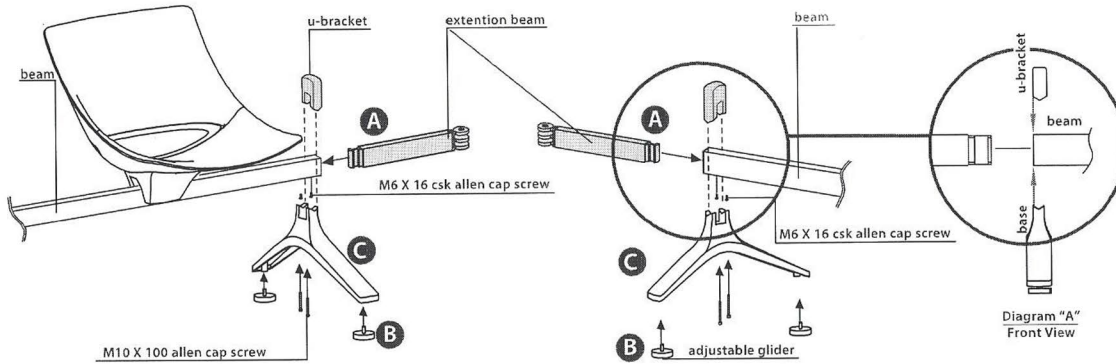


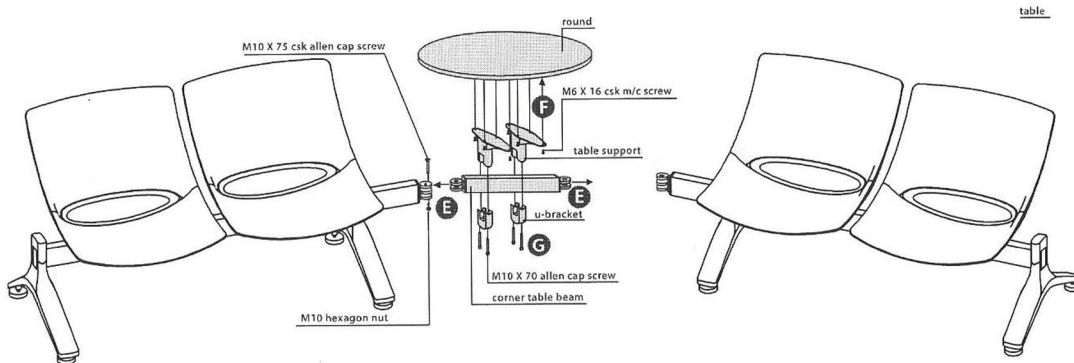
Y12709 - Modular Beam Seating Table Assembly Instructions



Tools Needed:

- Rubber Mallet
- Allen Wrench (included)

- 1.) Insert the extension beam into the end of one beam seater. Use a rubber mallet to tap in. Secure to beam with M6x16 CSK Allen Cap Screws.
- 2.) Insert Gliders into the Support Foot/Base if you haven't done so already.
- 3.) Secure upper U-Bracket over beam and Support Foot/Base with M10x55 Allen Cap Screws. Repeat steps for connection to the other side.



- 4.) Insert the corner table beam into the extension beams. Tighten with M10x75 CSK Allen Cap Screws and M10 Hexagon Nut.
- 5.) Attach the Table Supports to the Table using the M6x16 CSK M/C Screws.
- 6.) Attach the Table Supports to the beam using the lower U-Brackets and M10x70 Allen Cap Screws.