

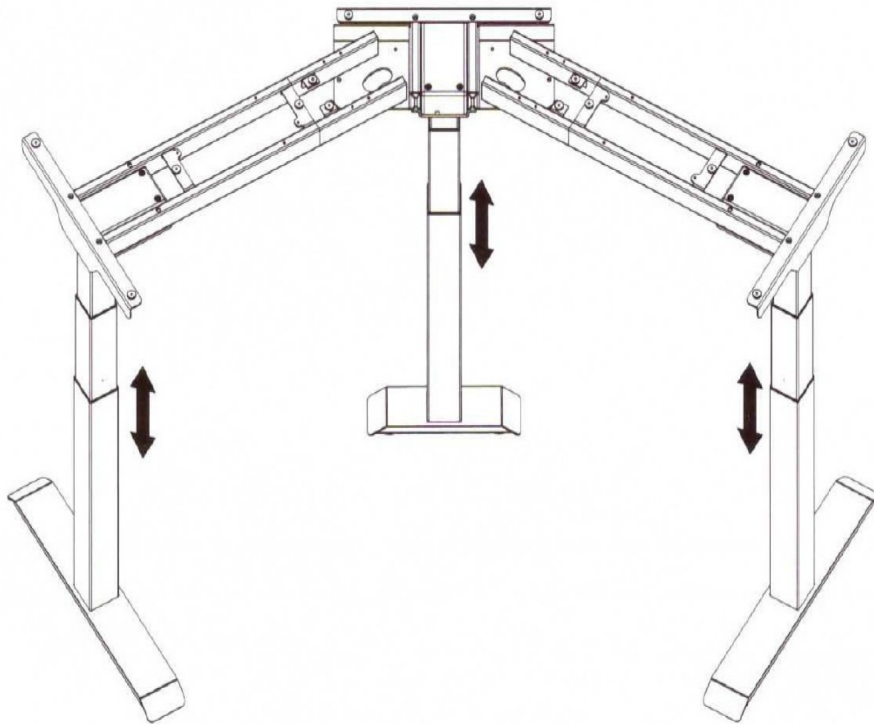


Since 1978

www.modernofficefurniture.com

For customer service call

1-800-443-5117




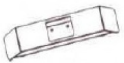

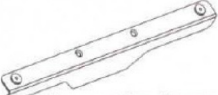
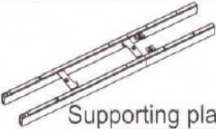
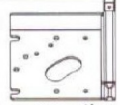


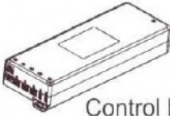


Technical data

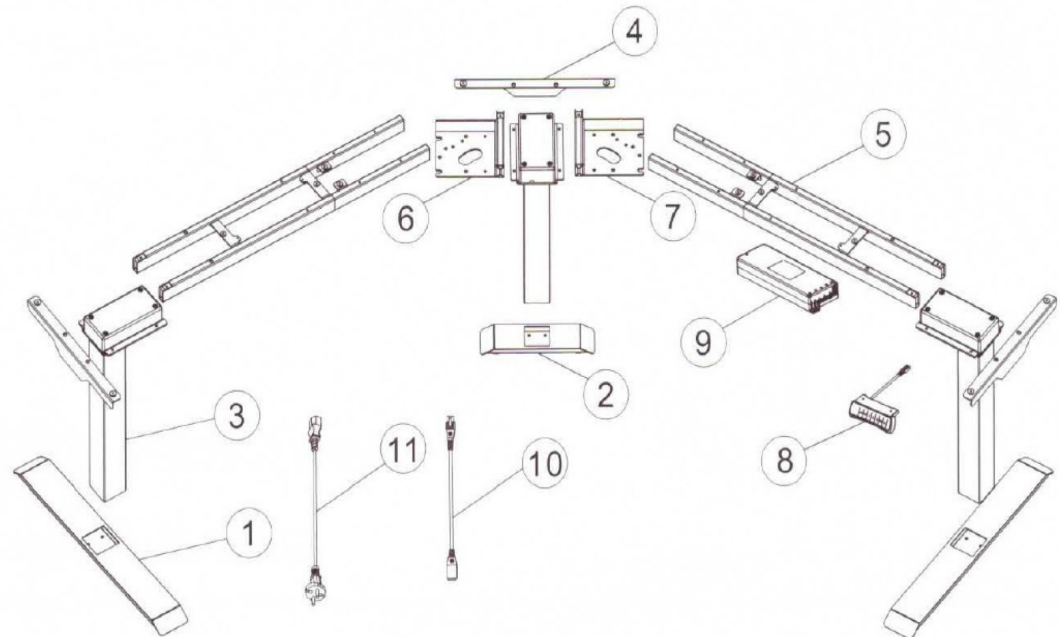
Column qty	3
Max Loading capacity	150KG
Height range	580-1230mm

Accessory list

No.	Image	Spec	Qty
A		M6	6
B		M6	8
C		M6	16
D		M6	12
E		M8	4
F		St4.2	24
G		St4.2	6
H		Wiring fixing seat	6
I		Wrench 4x4mm Wrench (with cross) 5x5mm	1

Component list

No.	Part	Qty	No.	Part	Qty
①	 Long foot	2	②	 Short foot	1
No.	Part	Qty	No.	Part	Qty
③	 Lifting column	3	④	 Supporting beam	3
No.	Part	Qty	No.	Part	Qty
⑤	 Supporting plate	2	⑥	 Left connecting plate	1
No.	Part	Qty	No.	Part	Qty
⑦	 Right connecting plate	1	⑧	 Hand Switch	1
No.	Part	Qty	No.	Part	Qty
⑨	 Control box	1	⑩	 Cable	1
No.	Part	Qty			
⑪	 Power Plug	1			

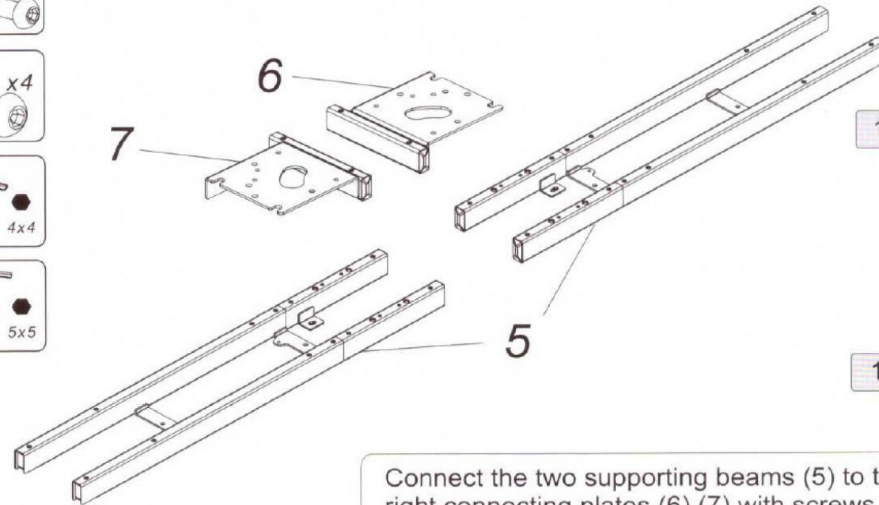
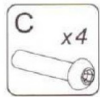


Note: This standing desk has three angle installation methods, 90°, 120° and 180°

STEP 1

Install left and right connecting plates

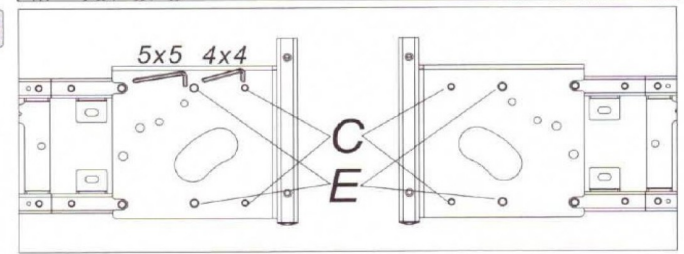
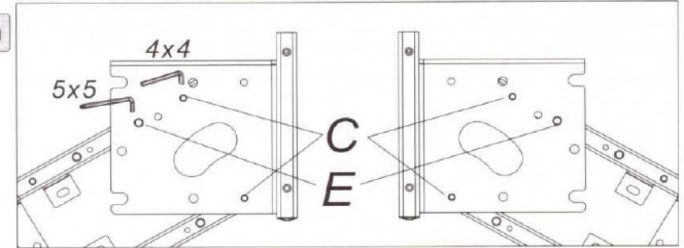
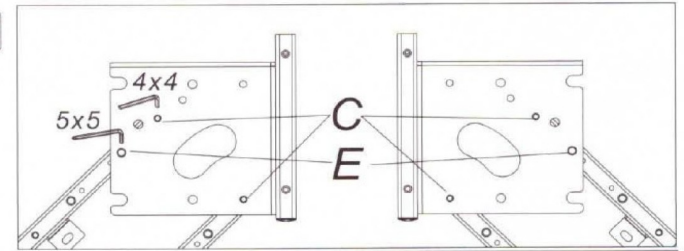
90° Installation



Connect the two supporting beams (5) to the left and right connecting plates (6) (7) with screws (C) and (E) respectively. There are three angles to choose at will, and finally tighten them with a wrench (I)

120° Installation

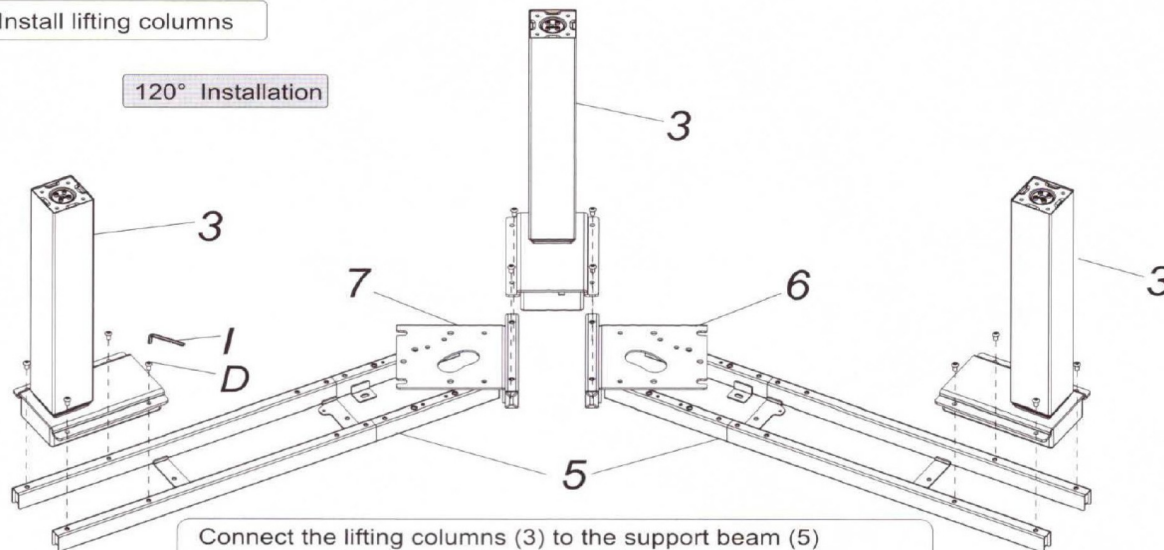
180° Installation



STEP 2

Install lifting columns

120° Installation



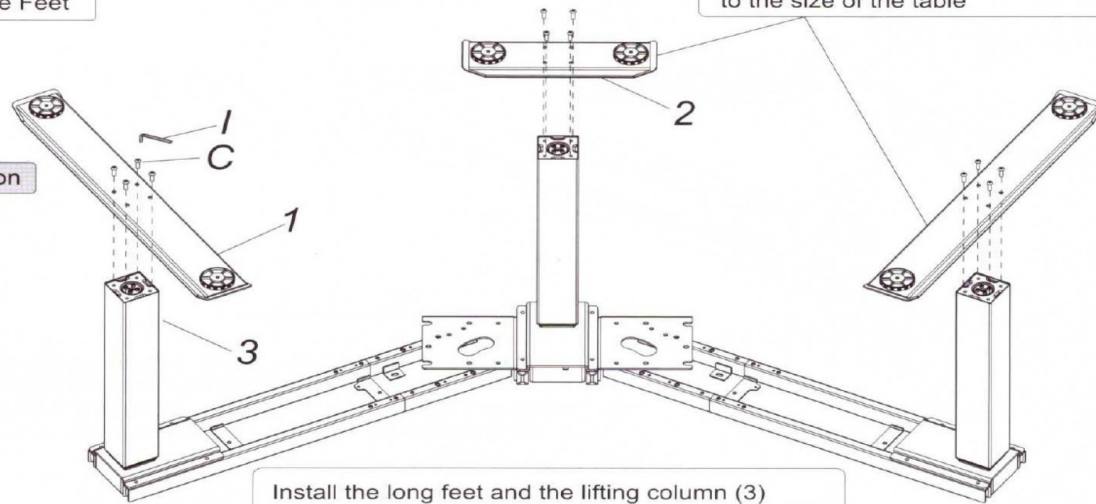
Connect the lifting columns (3) to the support beam (5) with screws (D), the middle column (3) to the left and right connecting plates (6) (7), and the wrench (I) to tighten the screws; 90° and 180° are installed in the same way as 120°.

STEP 3-1

Install the Feet



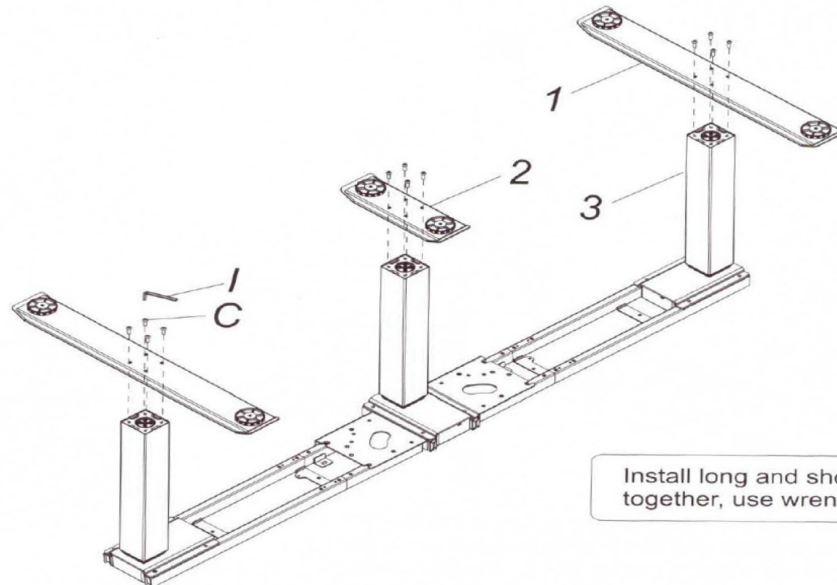
90° and 120° installation



Install the long feet and the lifting column (3) together, use wrench (I) to tighten the screws (C).

STEP 3-2

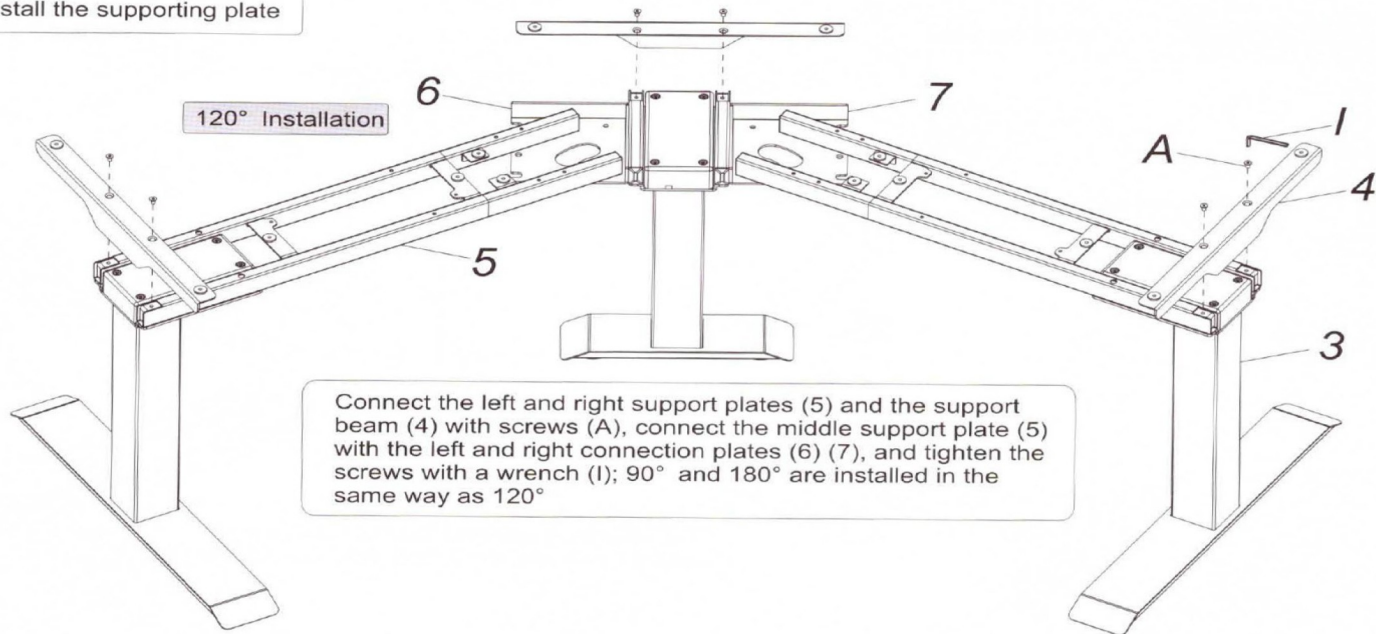
180° Installation



Install long and short the feet(1)(2) and the lifting column (3) together, use wrench (I) to tighten the screws (C).

STEP 4

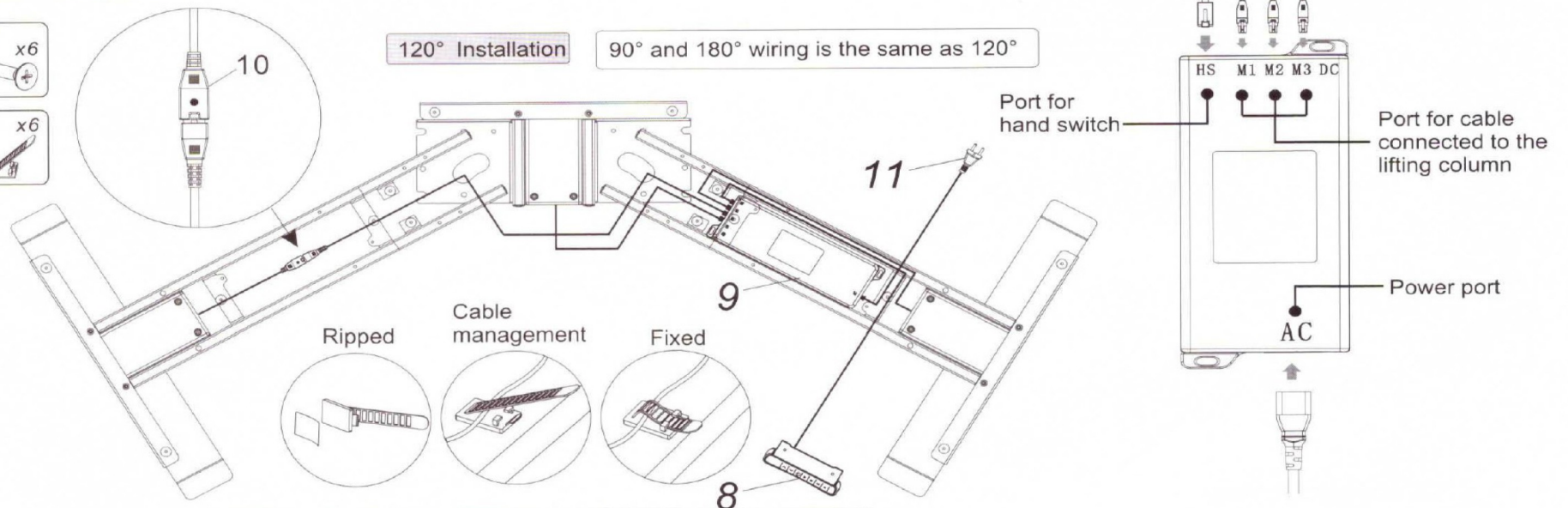
Install the supporting plate



Connect the left and right support plates (5) and the support beam (4) with screws (A), connect the middle support plate (5) with the left and right connection plates (6) (7), and tighten the screws with a wrench (I); 90° and 180° are installed in the same way as 120°

STEP 5

Connect All the Cables onto the Control Box

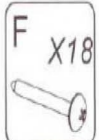


The wiring fixing seat (H) can be glued to the desk board, and can also be screwed to the desk board with screws (G)

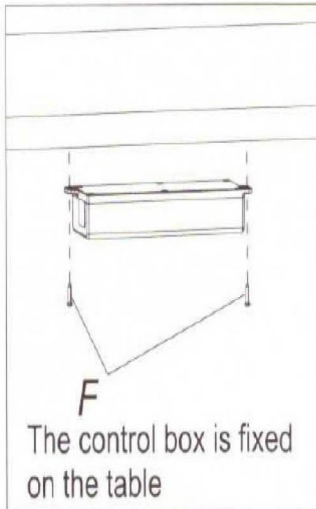
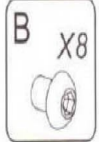
STEP 6-1

Install the Tabletop and Hand Switch

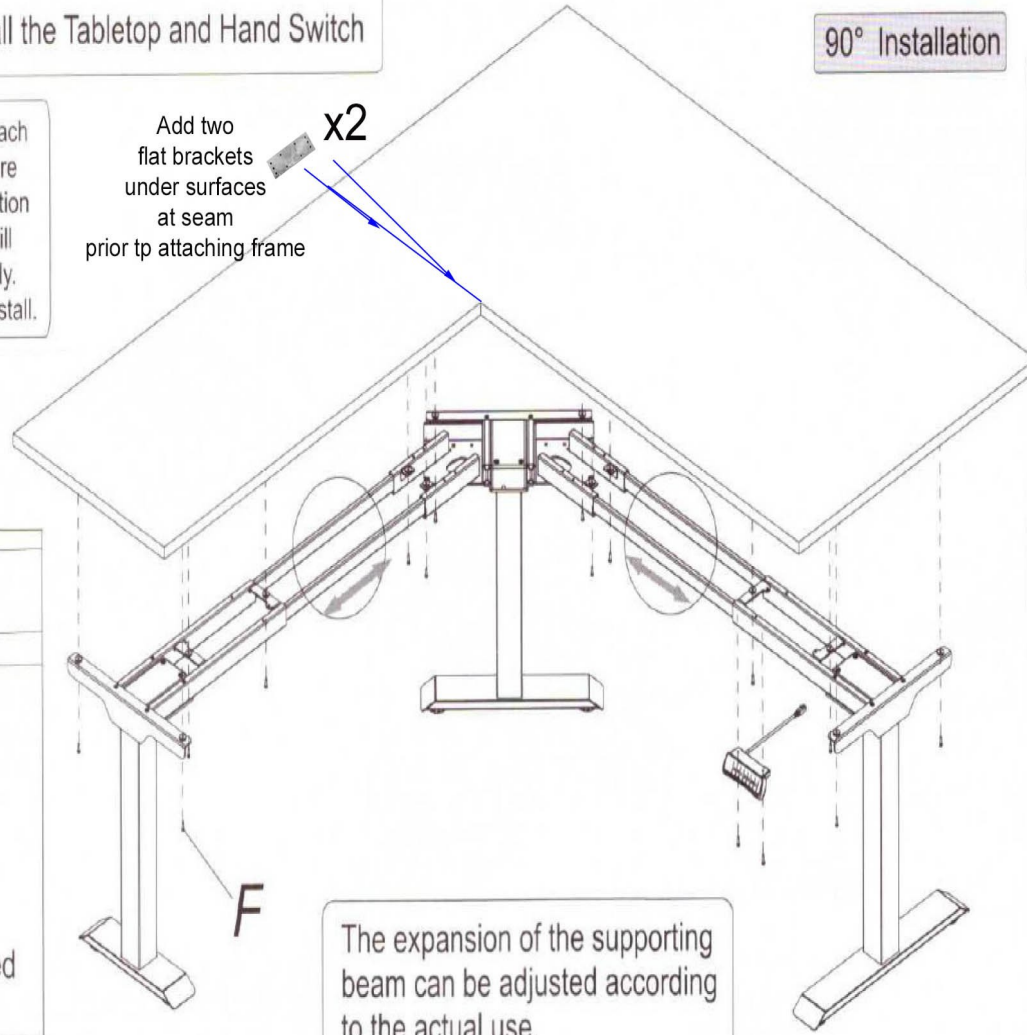
90° Installation



Use (F) wood screws to attach desktop(s). Wood screws are self-drilling so you can position top(s) how you like and drill your own holes accordingly. Use power screwdriver to install.



Add two flat brackets x2 under surfaces at seam prior to attaching frame



The expansion of the supporting beam can be adjusted according to the actual use.

