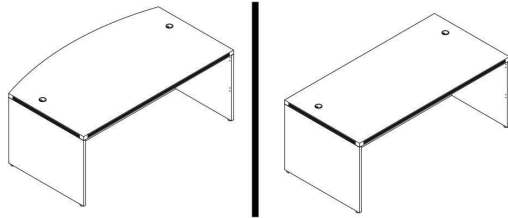


## Desk/Credenza Shell Assembly Instructions



Applies to:

(BK/CH/MJ/ML/MWAL/WH) 2001/2002/2043/2089/3624/7124

### List of Hardware:

Part	Part
 Wood Dowel	 Cap
 Cam Pin	 Leveling Glide
 Cam Lock	 Grommet

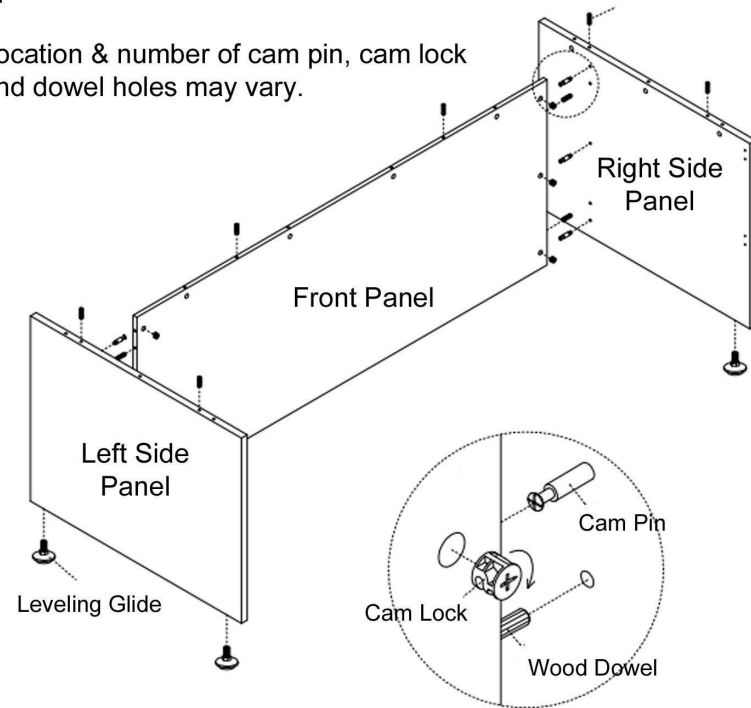
### Tools Needed:

- Phillips Screwdriver
- A helper!

- 1.) Assemble on carpet or cardboard to protect parts during assembly. Assembly will require 2 people for safety.
- 2.) Locate left & right side panels. Screw in the leveling glides by hand. Then, insert wood dowels & cam pins. The wood dowels fit into the slightly larger holes, compared to the cam pin holes
- 3.) Locate front panel and insert all cam locks on the left & right sides. Then, align one of the side panels and connect the panel by inserting the cam pins into the cam locks and the dowels into the corresponding holes. (see diagram on next page). Twist the cam locks with a Phillips Screwdriver to secure.

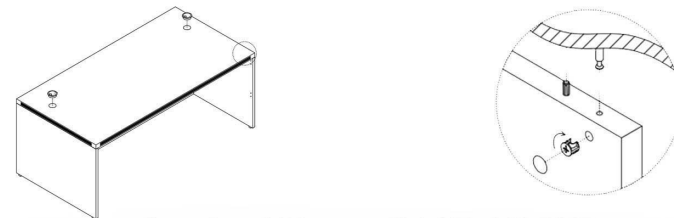
### Special Note:

Location & number of cam pin, cam lock and dowel holes may vary.



- 4.) Next, insert all cam pins, dowels and cam locks on the top edges of the side panels and front panels. Locate the desktop and with a helper, carefully set the desktop on top of the assembly shown above. Twist cam locks to secure the connection.

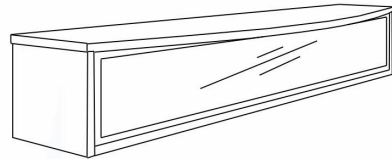
- 5.) Your last step is to insert the grommet(s) provided into the desktop. Cover the cam locks with the caps provided.



Questions? Please call 1-800-443-5117.

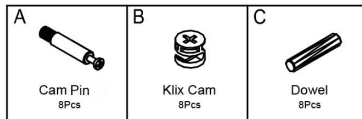
Customer Service available 8:30 - 5:00 Central Time, Monday - Friday

66"W White Riser Assembly Instructions

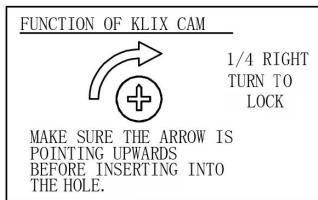


WH2067

List of Hardware:

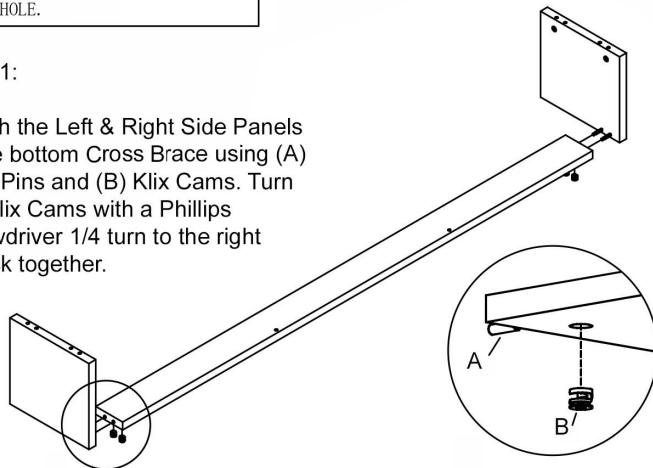


**Tools Needed:**  
Phillips Screwdriver  
A helper!



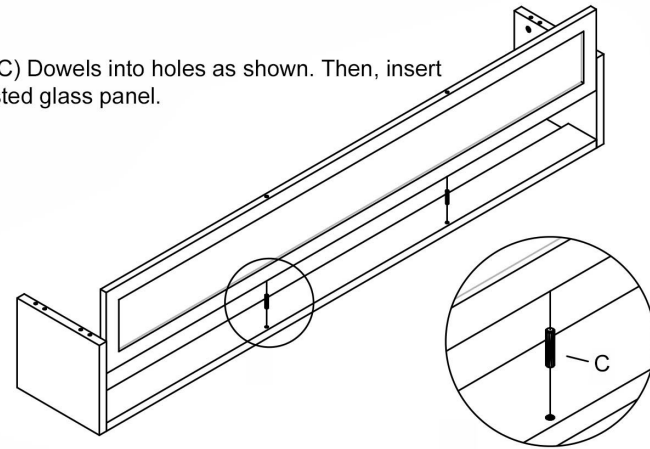
Step 1:

Attach the Left & Right Side Panels to the bottom Cross Brace using (A) Cam Pins and (B) Klix Cams. Turn the Klix Cams with a Phillips screwdriver 1/4 turn to the right to lock together.



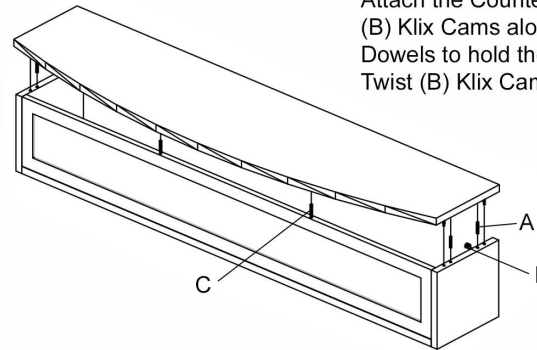
Step 2:

Insert (C) Dowels into holes as shown. Then, insert the frosted glass panel.

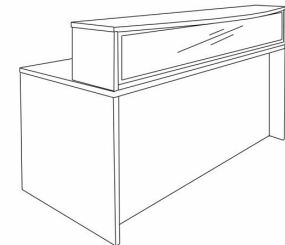


Step 3:

Attach the Counter Top using (A) Cam Pins and (B) Klix Cams along the Side Panels and (C) Dowels to hold the glass in place. Twist (B) Klix Cams to secure.



Step 4: Peel the backing off of the double sided tape that is located on the bottom of the Cross Brace. Press the riser down on the surface of the desk to adhere the riser. The double sided tape is a firm adhesion.



Questions? Please call 1-800-443-5117.  
Customer Service available 8:30 - 5:00 Central Time, Monday - Friday

