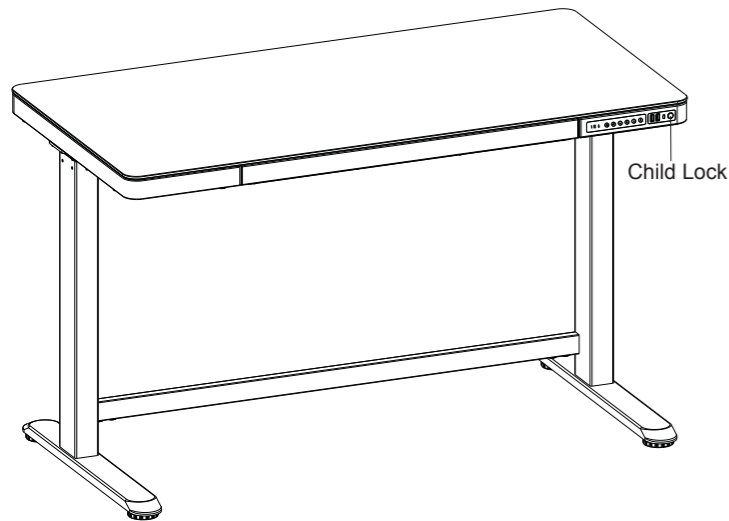
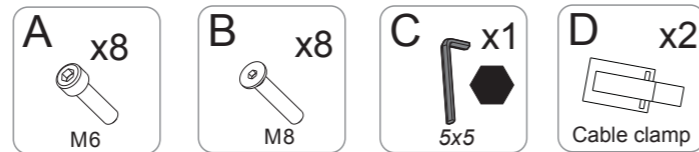


Item No.: ET118

Installation guide



Attention: The drawings below are for guidance only and they may differ slightly from the product and fittings received. Please contact our customer service department should you have any queries.

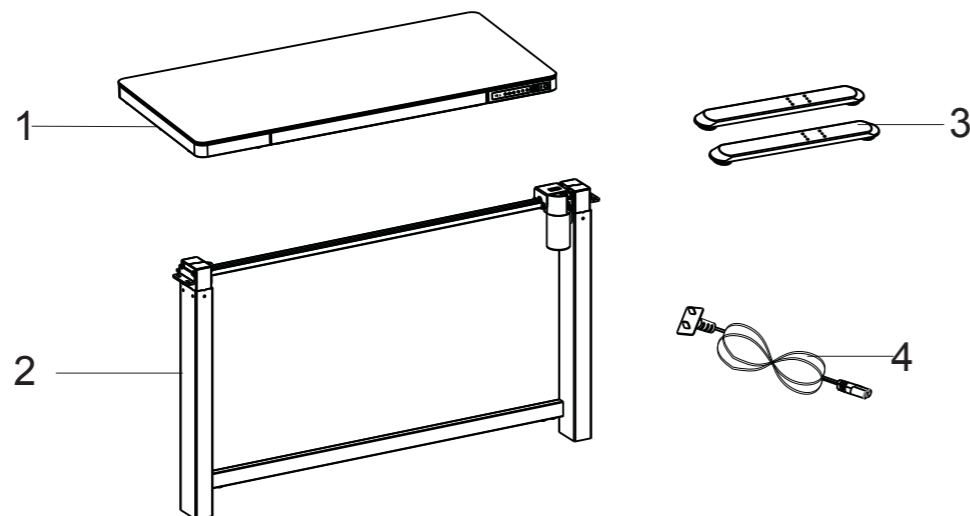


Technical data

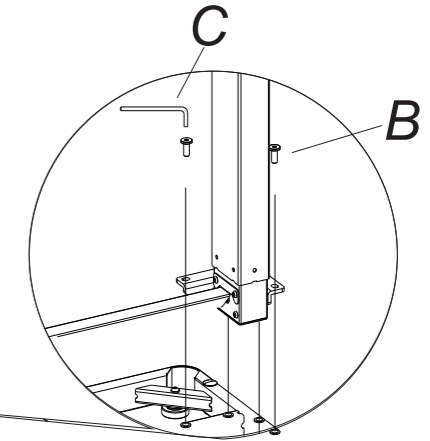
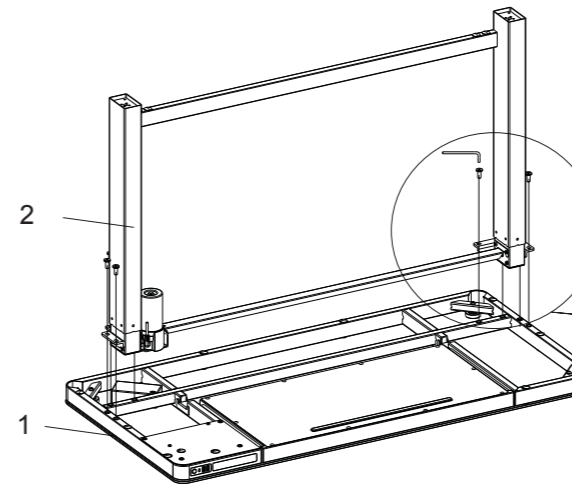
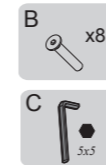
Max. Weight Capacity	110 lbs
Height Range	28.3"-47.6"
Drawer Stroke	9.1"
Charging Ports/ Child Lock	

Component list

1. Tabletop X1
2. Lifting columns X1
3. Feet X2
4. Power plug X1



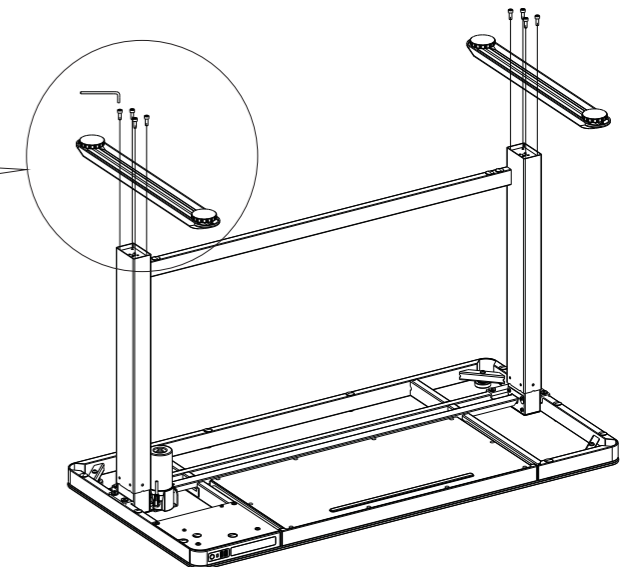
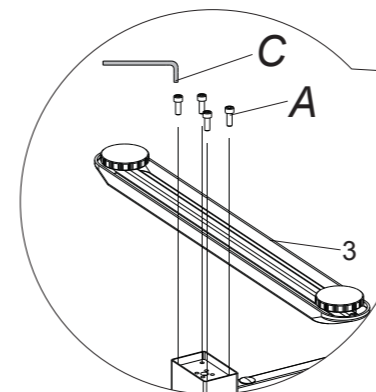
Install the tabletop and the lifting columns



Connect the tabletop (1) and the lifting columns (2) with the screw (Bx8) M8 and tighten it with hex wrench (C).
Caution: Please do not touch the glass surface directly to the ground during installation, so as not to be scratched by sharp objects on the table; Please be careful during installation to avoid falling and breaking the glass

STEP 2

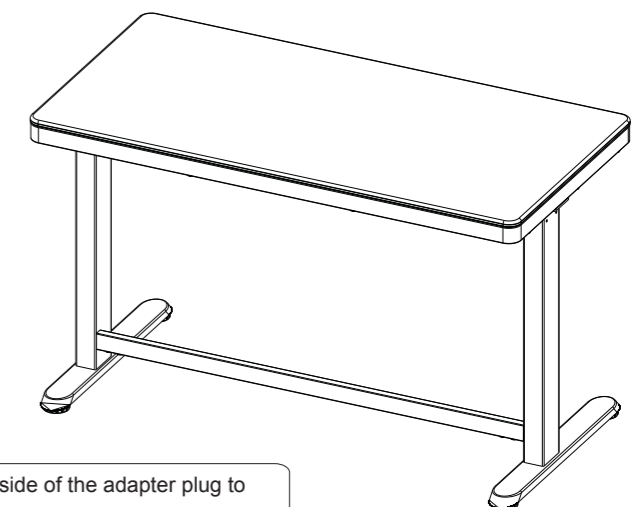
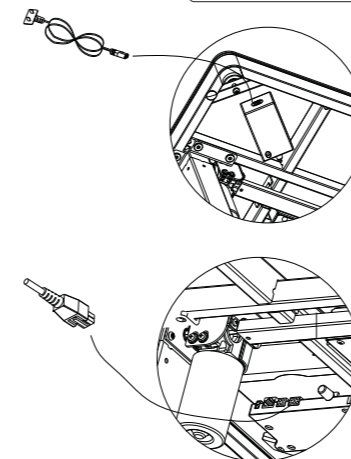
Install the feet



Install the feet (3) to the lifting columns with the screw M6 (A*8) and tighten it with hex wrench (C).
Caution: Please be careful during installation to avoid falling and breaking the glass; Pay attention to the directions.

STEP 3

Install the motor and power lines

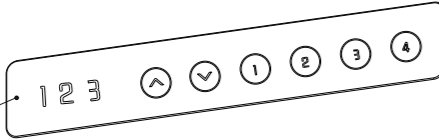


Connect the motor plug to the control box, then connect one side of the adapter plug to the adapter, another side to the power line.
Caution: the motor and power lines can be fixed by cable clamp according to actual use.

Operation Instruction

Key button

LED Screen



1. Long press the up/down buttons to adjust the height of the desk; The screen will show "bot" when the desktop runs to its lowest point; and it will show "top" when the desktop runs to its highest point.
2. key button: 1,2,3,4 are the four height memory buttons, long press the button about 3s can record the current height;
3. Press the 3 and 4 buttons at the same time, the RST reset indication will appear. Continue to press the "▼" down button until the lifting table lowers to the lowest position and rebounds to rise to a stop. The display shows the lowest height "bot", release "▼" down button, the reset is over and the table can be used normally.
4. The desk has two USB, one type-C ports, they can supply power to other electronics. Every channel can maximum output DC 5V/2.4A power when the desktop is stationary and will stop output when the desktop is running. It will resume output after 5s of inactivity.
5. Short press the "LOCK" button to achieve the child lock function, so as to avoid accidentally touch and guarantee the safety of children; The child lock button is switchable, screen will show "Loc" when the desk is locked.
6. Long press the up and down button to switch the sensitivity level. When the screen shows "A-0", it means the anti-collision function is off, "A-1" means the anti-collision sensitivity is in level 1, "A-2" means the anti-collision sensitivity is in level 2, "A-3" means the anti-collision sensitivity is in level 3, level 3 means the highest sensitivity.

● Troubleshooting:

- a. Reset: When the LED shows "RST", press "▼" button until the desk reaches its lowest height and rebounds to stop, it means the reset has been finished.
- b. When it doesn't work and the LED shows "E01" or "E02", please retry 18 mins later.
- c. If the "▼" button doesn't work, please check the cable connection and then cut off the power for at least 10 seconds. Reconnect to the power and press "▼" button to start the reset process when it shows the "RST".
- d. If all these above process are inefficient, plz contact our customer service.

Troubleshooting Guide

Please try the tips below to help resolve simple performance issues. Please contact Modern Office with any questions.

Issue	Solution
Desk is not responding or moving when keypad is touched	Unplug from power source. Then, disconnect all cables from control box. Let rest for 1 minute. Then reconnect cables and plug back into power source.
Desk raises at slow speed	Make sure total weight load is not exceeding 110 lbs.
Only one side raises/lowers	One leg cable is probably slightly disconnected. Unplug/reconnect
Desk stops lowering/raising and goes opposite direction.	Collision sensor is being activated. Make sure path is clear. Adjust Collision Sensitivity if desired.
Desk is overworked (moving longer than 2 minutes)	Desk needs to rest for 18 minutes to reset.
Display shows "RST" (sometimes looks like "RST")	Desk needs to be reset. Press the DOWN button until desk goes to lowest height/rebounds to stop.



Attention

1. Power supply: AC100V-240V,50/60Hz
2. Service Environment: 0-40°C
3. Unplug the power plug before cleaning, wipe the dust on surface with slight wet dishcloth when cleaning, be careful not to let the drops into the internal parts, not loose the connector.
4. The electric box contains electronic components, metals, plastics, wires etc., so dispose of it in accordance with each country's environmental legislation, not the general household waste.
5. Check carefully to ensure correct and complete assembly before using.
6. Be familiar with all functions and program settings of the product before first use.
7. Children are forbidden to play on the desk as the behavior is unpredictable. Manufacturer is not responsible for loss, injury, or damage due to those improper action.
8. Slight noise caused by the V-ribbed belt or brake system due to structure will not have any effect on the use of the equipment.
9. Corrosive or abrasive materials are forbidden to clean the equipment. Must ensure that the cleaner used will not pollute the environment.
10. This appliance can be used by children aged from 8 years and above and persons with reduced physical, sensory or mental capabilities or lack of experience and knowledge if they have been given supervision or instruction concerning use of the appliance in a safe way and understand the hazards involved. Children shall not play with the appliance.
11. Cleaning and user maintenance shall not be made by children without supervision.
12. If the supply cord is damaged, it must be replaced by the manufacturer, its service agent or a similarly qualified person in order to avoid a hazard.
13. Please make sure there is no hazard sources in your operating environment. e.g., do not litter the tools around. Always be careful to treat the packaging materials in order to avoid any possible danger, e.g. plastic bag may lead to choking hazard to children.
14. Keep the original package of the equipment if necessary in case of the future use in transportation.

Waste disposal



This marking indicates that this product should not be disposed with other household wastes. To prevent possible harm to the environment or human health from uncontrolled waste disposal, recycle it responsibly to promote the sustainable reuse of material resources. To return your used device, please use the return and collection systems or contact the retailer where the product was purchased. They can take this product for environmental safe recycling.