

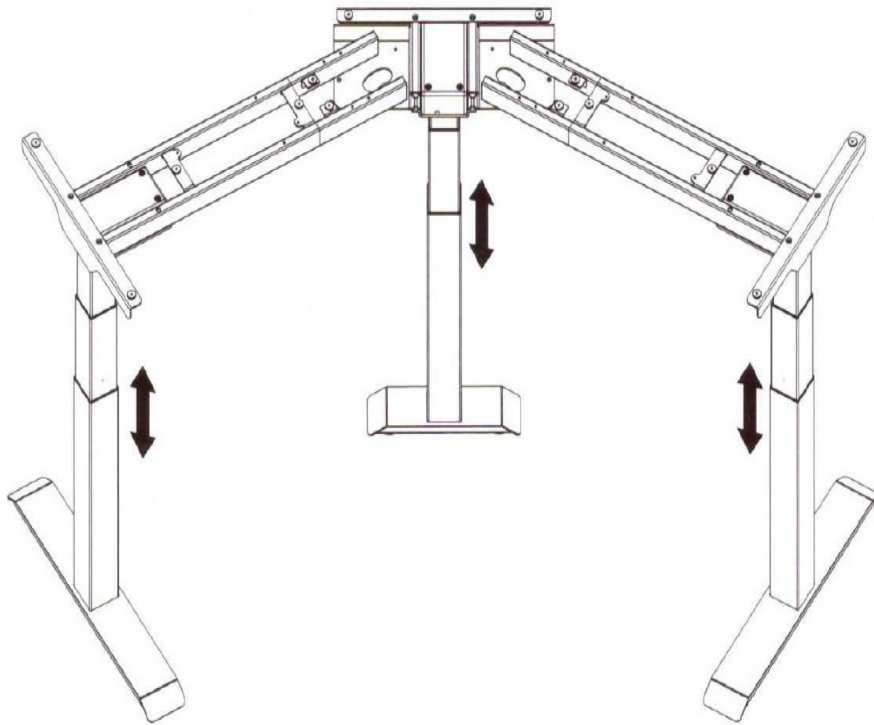


Since 1978

www.modernofficefurniture.com

For customer service call

1-800-443-5117




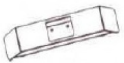

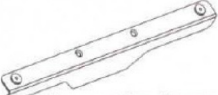
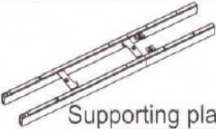
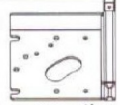


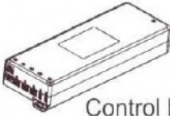


Technical data

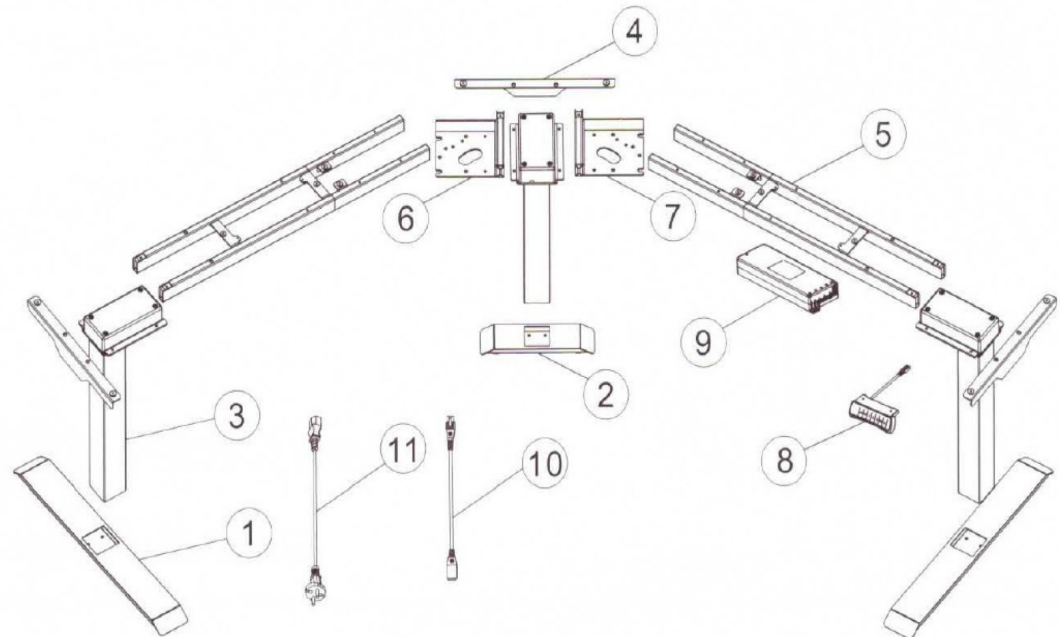
Column qty	3
Max Loading capacity	150KG
Height range	580-1230mm

Accessory list

No.	Image	Spec	Qty	
A		M6	6	
B		M6	8	
C		M6	16	
D		M6	12	
E		M8	4	
F		St4.2	24	
G		St4.2	6	
H		Wiring fixing seat	6	
I		Wrench 4x4mm	Wrench (with cross) 5x5mm	1

Component list

No.	Part	Qty	No.	Part	Qty
①	 Long feet	2	②	 Short feet	1
No.	Part	Qty	No.	Part	Qty
③	 Lifting column	3	④	 Supporting beam	3
No.	Part	Qty	No.	Part	Qty
⑤	 Supporting plate	2	⑥	 Left connecting plate	1
No.	Part	Qty	No.	Part	Qty
⑦	 Right connecting plate	1	⑧	 Hand Switch	1
No.	Part	Qty	No.	Part	Qty
⑨	 Control box	1	⑩	 Cable	1
No.	Part	Qty			
⑪	 Power Plug	1			

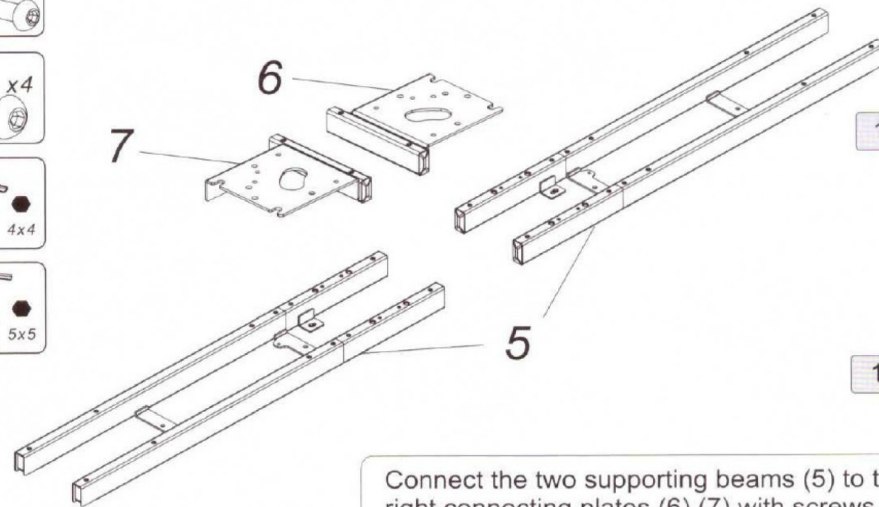
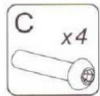


Note: This standing desk has three angle installation methods, 90°, 120° and 180°

STEP 1

Install left and right connecting plates

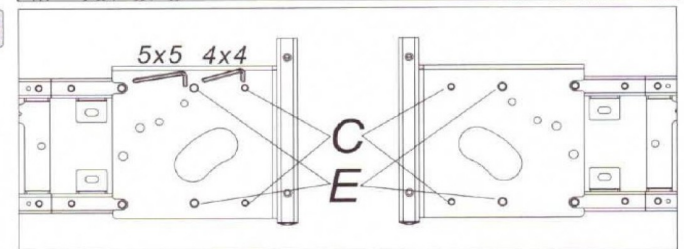
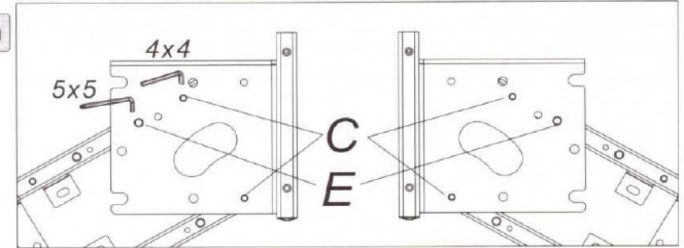
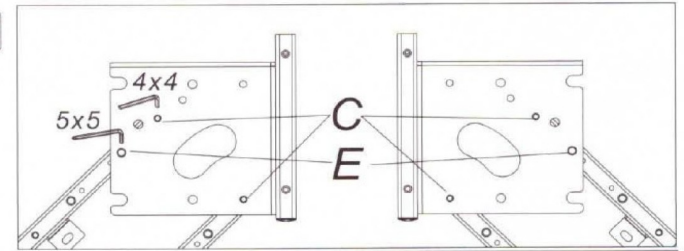
90° Installation



Connect the two supporting beams (5) to the left and right connecting plates (6) (7) with screws (C) and (E) respectively. There are three angles to choose at will, and finally tighten them with a wrench (I)

120° Installation

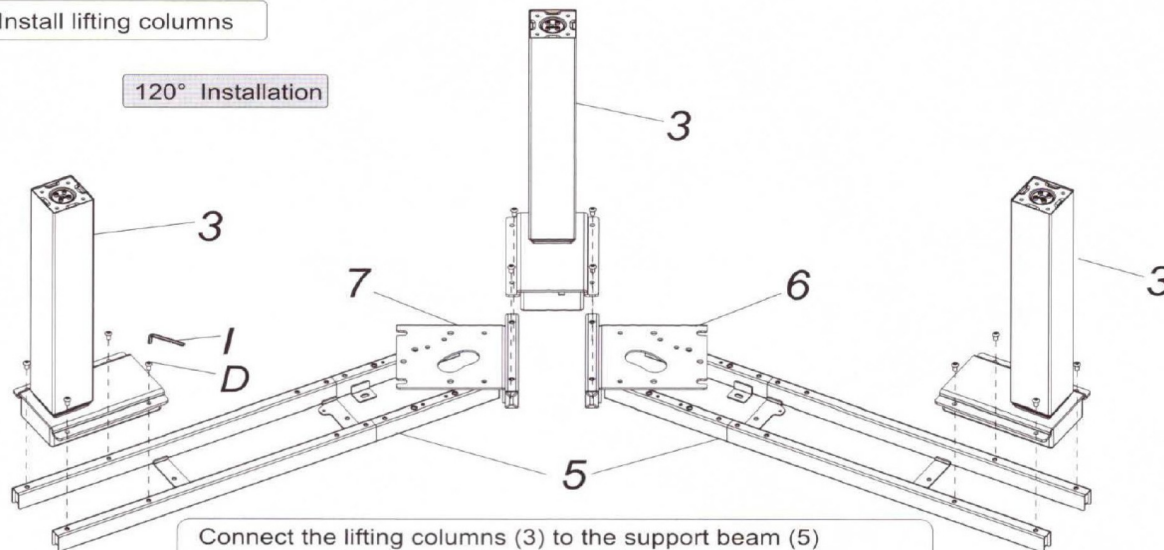
180° Installation



STEP 2

Install lifting columns

120° Installation



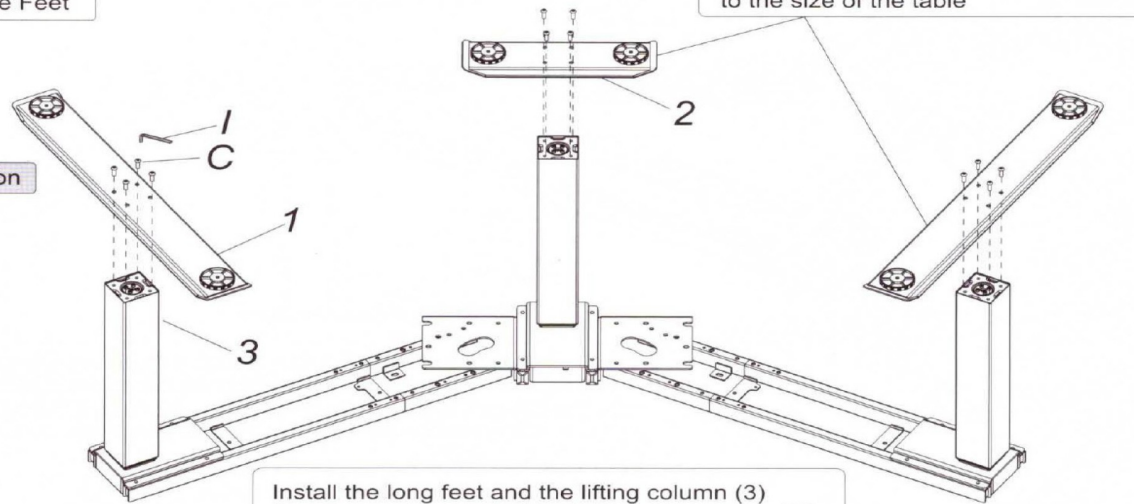
Connect the lifting columns (3) to the support beam (5) with screws (D), the middle column (3) to the left and right connecting plates (6) (7), and the wrench (I) to tighten the screws; 90° and 180° are installed in the same way as 120°.

STEP 3-1

Install the Feet



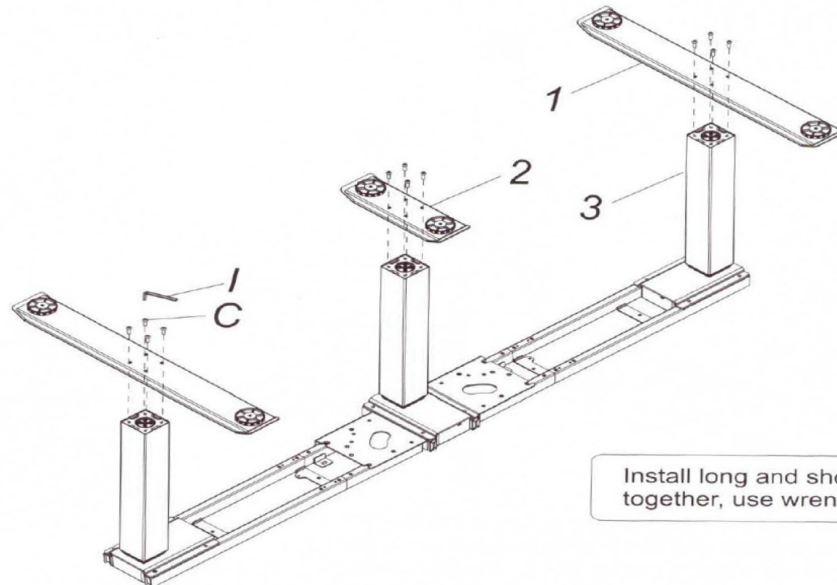
90° and 120° installation



Install the long feet and the lifting column (3) together, use wrench (I) to tighten the screws (C).

STEP 3-2

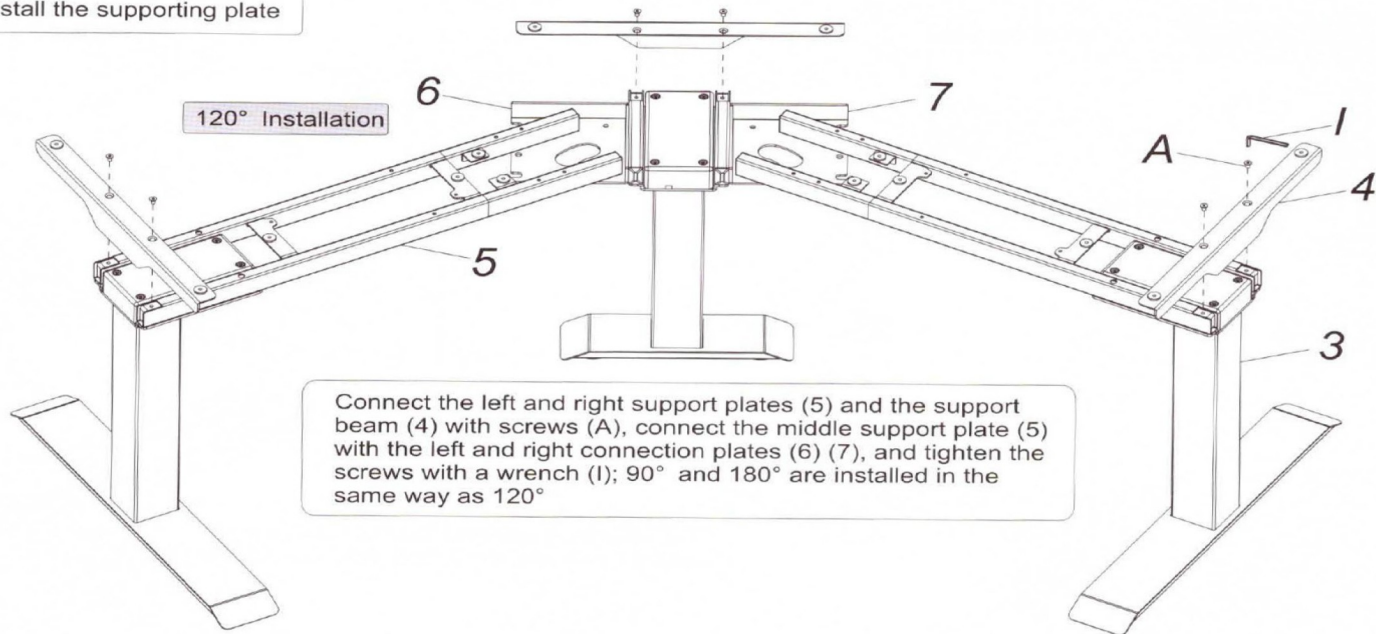
180° Installation



Install long and short the feet(1)(2) and the lifting column (3) together, use wrench (I) to tighten the screws (C).

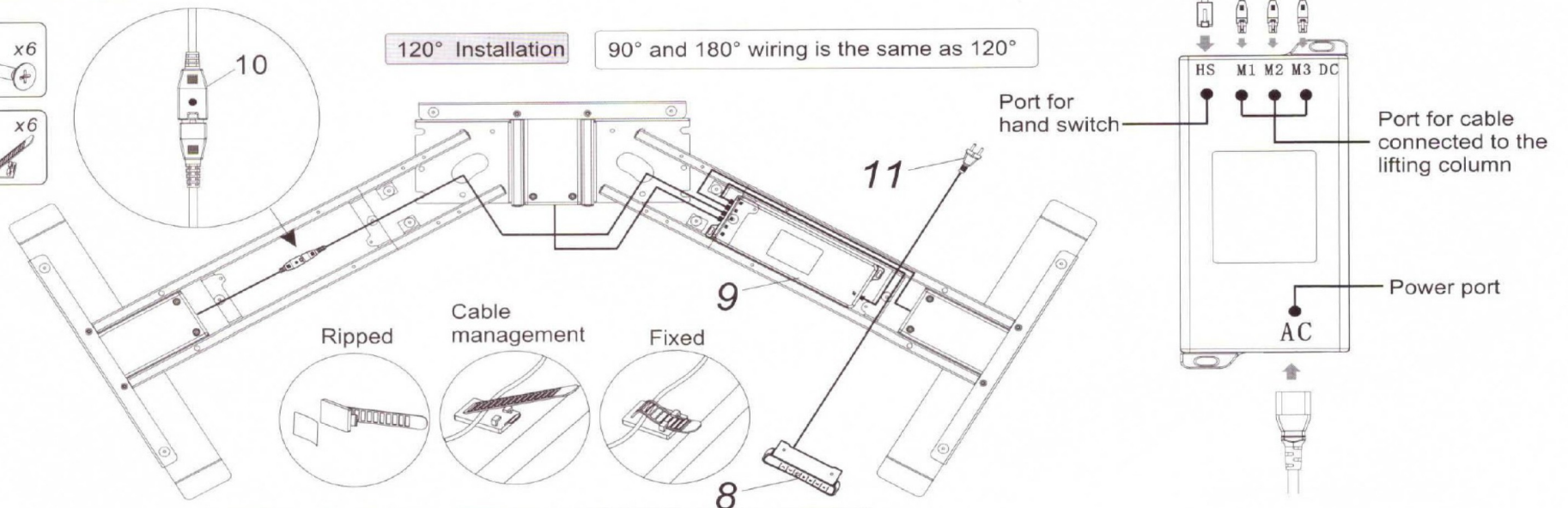
STEP 4

Install the supporting plate



STEP 5

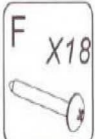
Connect All the Cables onto the Control Box



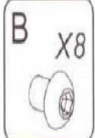
STEP 6-1

Install the Tabletop and Hand Switch

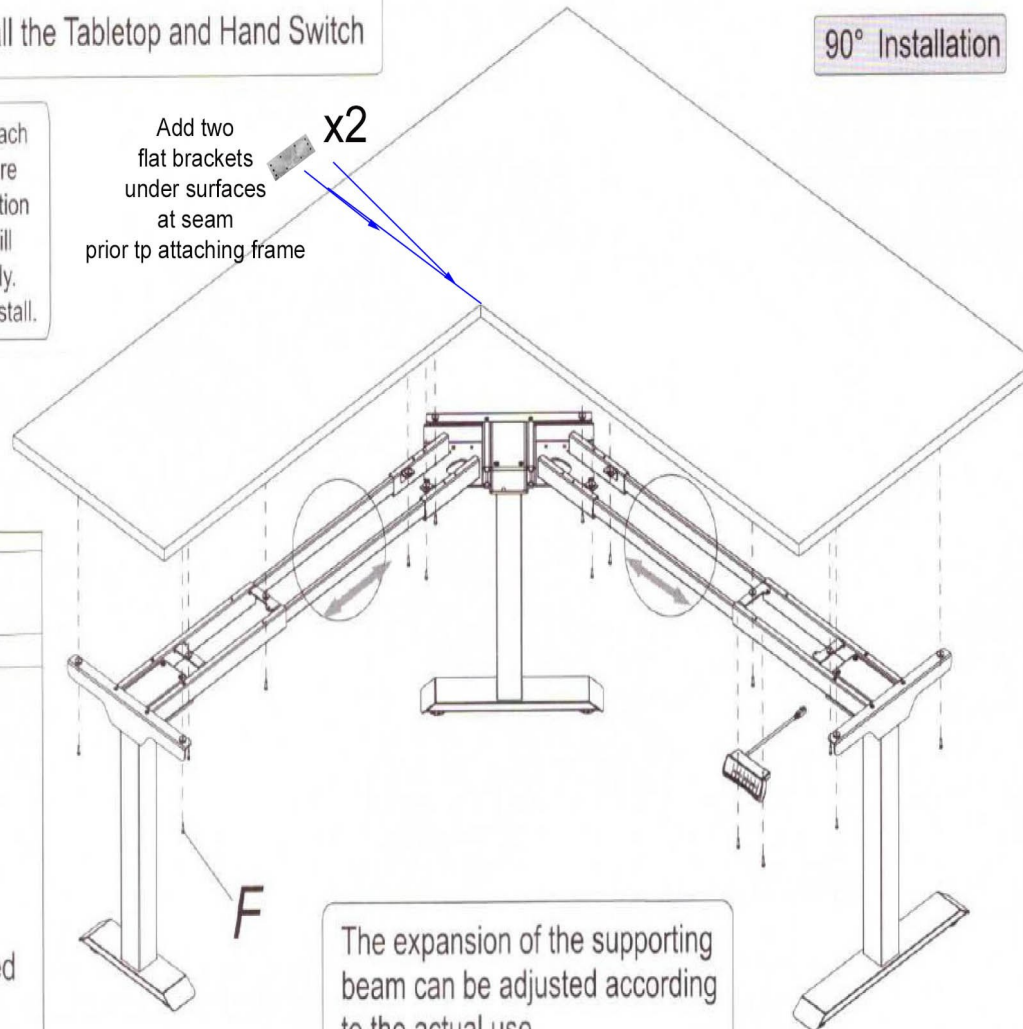
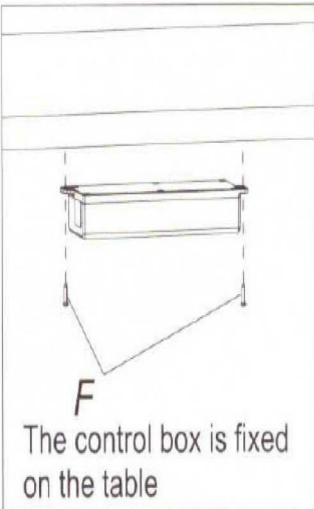
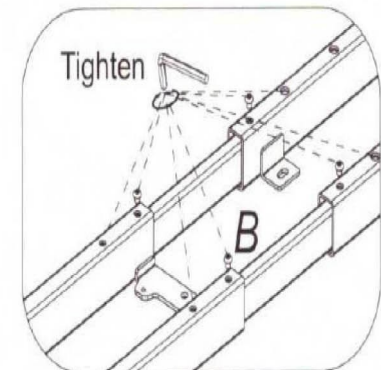
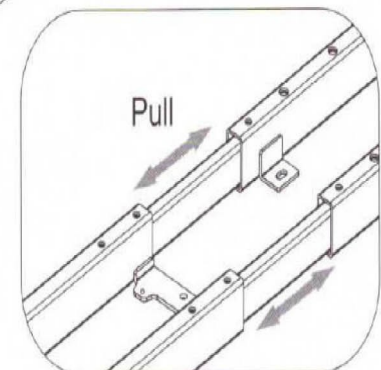
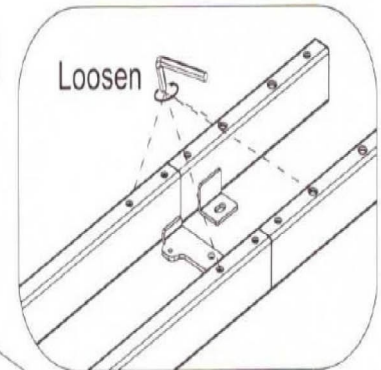
90° Installation



Use (F) wood screws to attach desktop(s). Wood screws are self-drilling so you can position top(s) how you like and drill your own holes accordingly. Use power screwdriver to install.

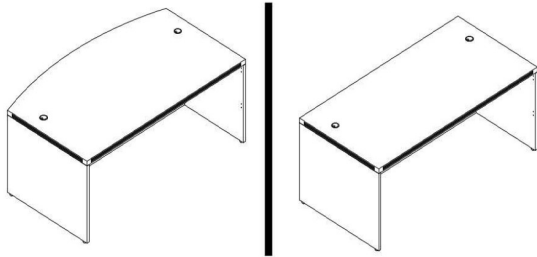


Add two flat brackets x2 under surfaces at seam prior to attaching frame



The expansion of the supporting beam can be adjusted according to the actual use.

Desk/Credenza Shell Assembly Instructions



Applies to:

(BK/CH/MJ/ML/MWAL/WH) 2001/2002/2043/2089/3624/7124

List of Hardware:

Part	Part
	
Wood Dowel	Cap
	
Cam Pin	Leveling Glide
	
Cam Lock	Grommet

Tools Needed:

- Phillips Screwdriver
- A helper!

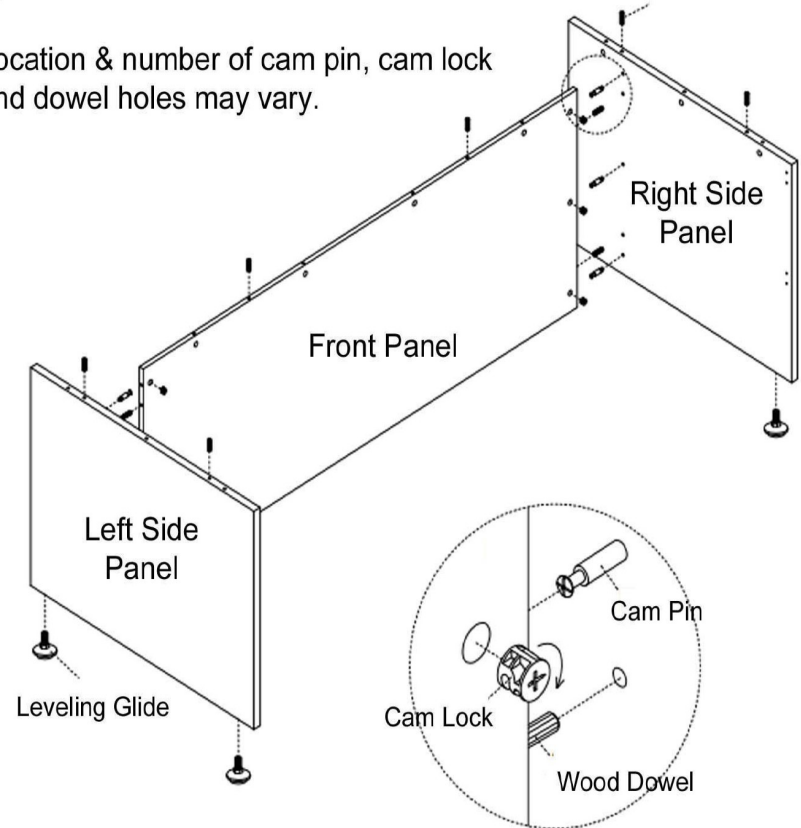
1.) Assemble on carpet or cardboard to protect parts during assembly. Assembly will require 2 people for safety.

2.) Locate left & right side panels. Screw in the leveling glides by hand. Then, insert wood dowels & cam pins. The wood dowels fit into the slightly larger holes, compared to the cam pin holes

3.) Locate front panel and insert all cam locks on the left & right sides. Then, align one of the side panels and connect the panel by inserting the cam pins into the cam locks and the dowels into the corresponding holes. (see diagram on next page). Twist the cam locks with a Phillips Screwdriver to secure.

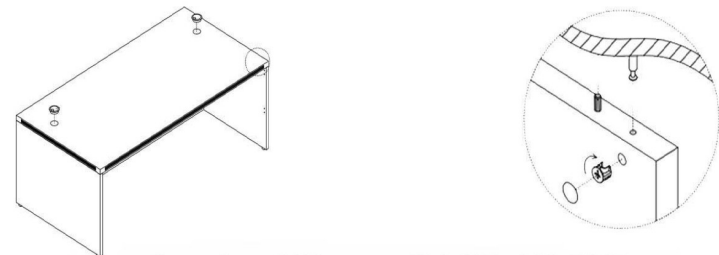
Special Note:

Location & number of cam pin, cam lock and dowel holes may vary.



4.) Next, insert all cam pins, dowels and cam locks on the top edges of the side panels and front panels. Locate the desktop and with a helper, carefully set the desktop on top of the assembly shown above. Twist cam locks to secure the connection.

5.) Your last step is to insert the grommet(s) provided into the desktop. Cover the cam locks with the caps provided.

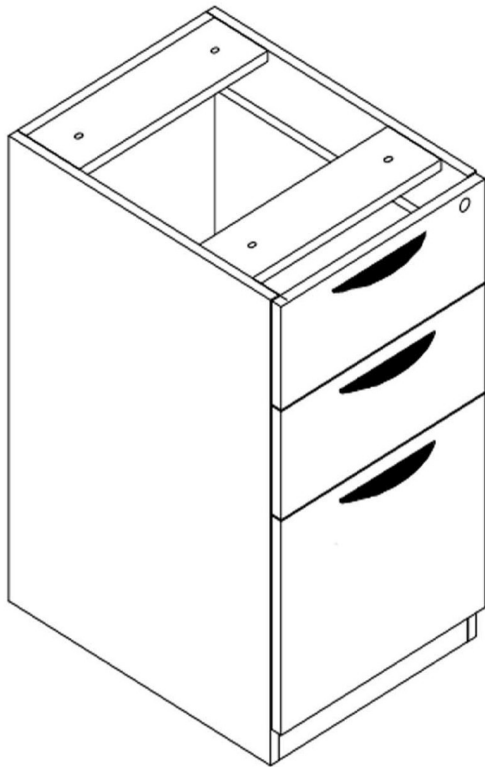


Questions? Please call 1-800-443-5117.




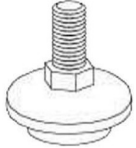
Customer Service available 8:30 - 5:00 Central Time, Monday - Friday

Box/Box/File Desk Pedestal Assembly Instructions

Applies towards:
BK/CH/FL/MJ/ML/WH2066



List of Hardware:

Part	Part
 4 Large Bolts	 3 Drawer Pulls with screws
 1 set of keys	 4 Leveling Glides

- 1.) Install 4 leveling glides.
- 2.) Use the screws to attach drawer pulls.
- 3.) To install under desk, remove the top box drawer (or top two box drawers) by locating the black tabs inside of the left & right drawer slides. Push down on one and push up on the other. This will release the drawer from the slides. Use 4 large bolts to connect to threaded holes on underside of desk. Once done, simply insert drawers back into the slides. They will snap in place.