


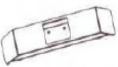
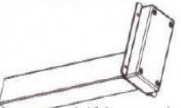
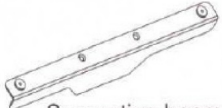



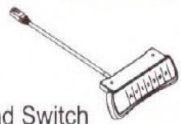
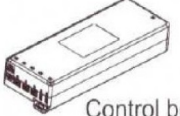

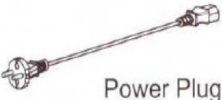
### Technical data

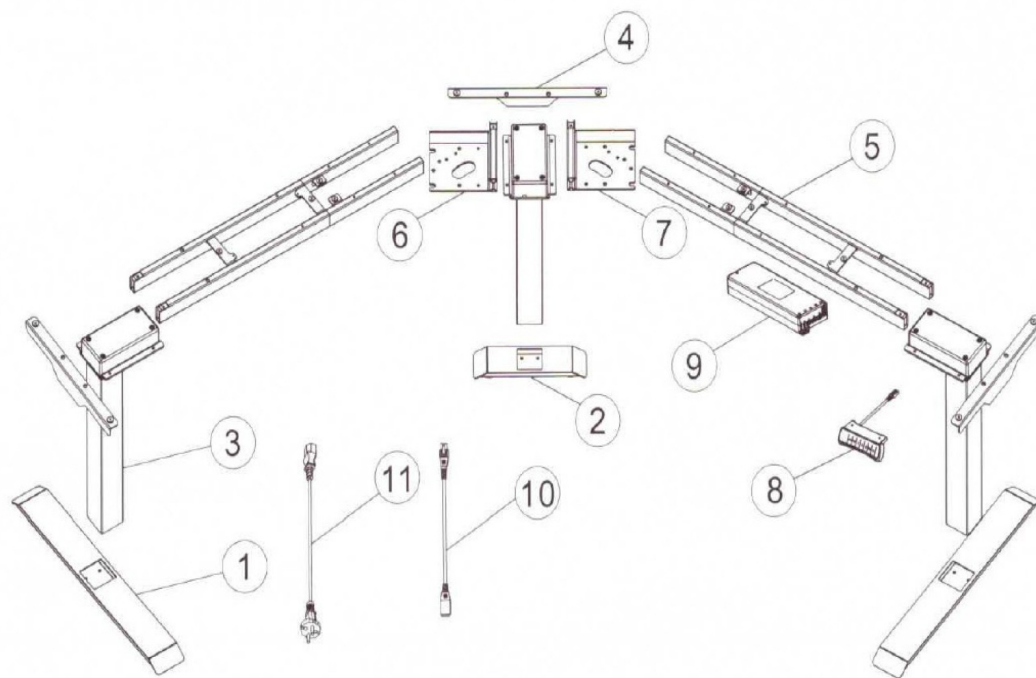
Column qty	3
Max Loading capacity	150KG
Height range	580-1230mm

### Accessory list

No.	Image	Spec	Qty
A		M6	6
B		M6	8
C		M6	16
D		M6	12
E		M8	4
F		St4.2	24
G		St4.2	6
H		Wiring fixing seat	6
I		Wrench 4x4mm      Wrench (with cross) 5x5mm	1

## Component list

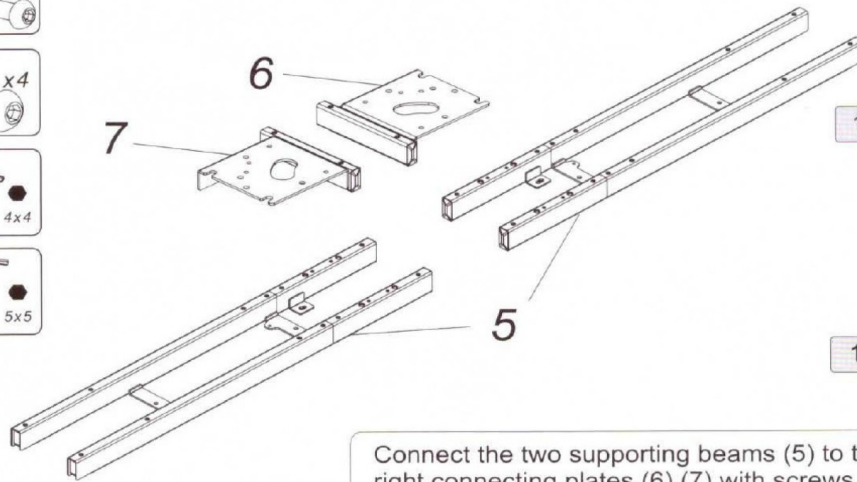
No.	Part	Qty	No.	Part	Qty
①	 Long feet	2	②	 Short feet	1
③	 Lifting column	3	④	 Supporting beam	3
⑤	 Supporting plate	2	⑥	 Left connecting plate	1
⑦	 Right connecting plate	1	⑧	 Hand Switch	1
⑨	 Control box	1	⑩	 Cable	1
⑪	 Power Plug	1			



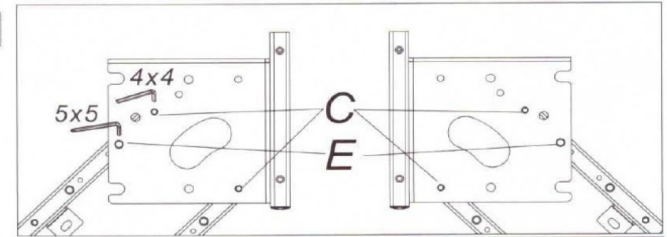
Note: This standing desk has three angle installation methods, 90°, 120° and 180°

## STEP 1

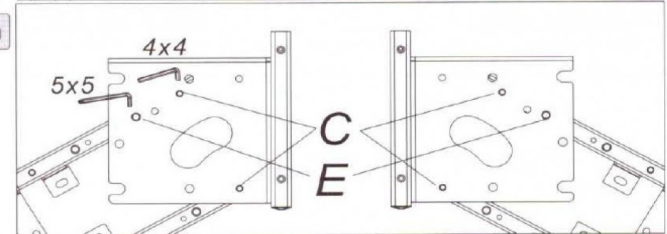
Install left and right connecting plates



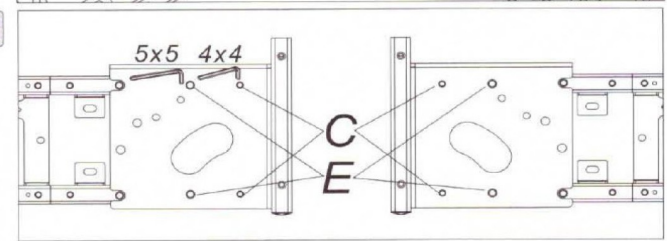
90° Installation



120° Installation



180° Installation



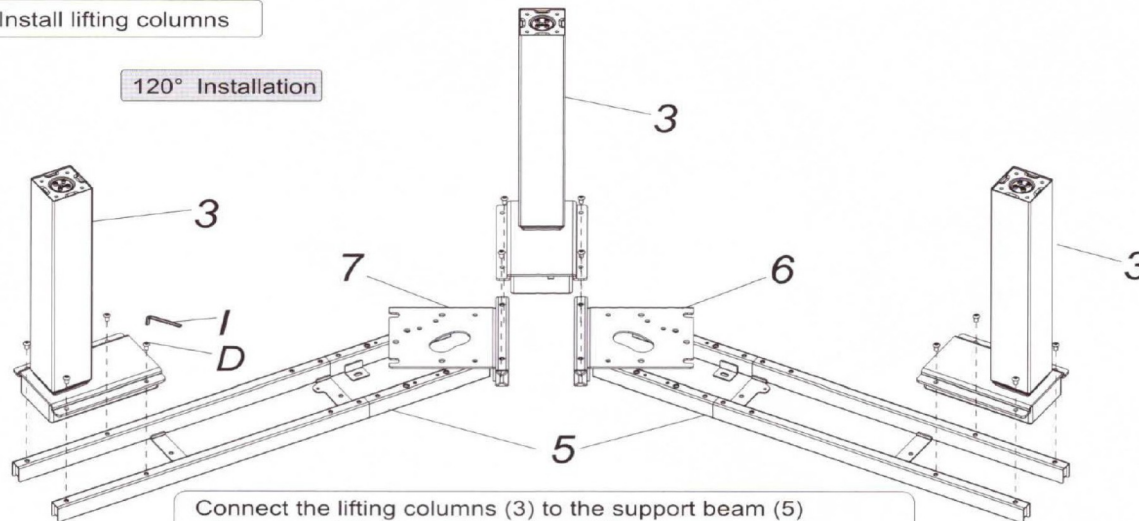
Connect the two supporting beams (5) to the left and right connecting plates (6) (7) with screws (C) and (E) respectively. There are three angles to choose at will, and finally tighten them with a wrench (I)

## STEP 2

Install lifting columns



120° Installation



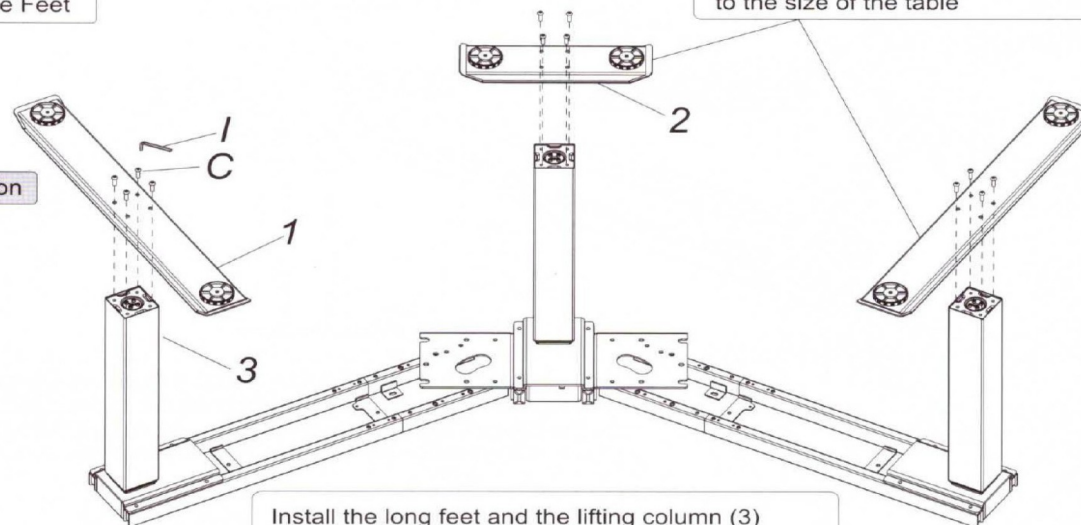
Connect the lifting columns (3) to the support beam (5) with screws (D), the middle column (3) to the left and right connecting plates (6) (7), and the wrench (I) to tighten the screws; 90° and 180° are installed in the same way as 120°.

### STEP 3-1

Install the Feet



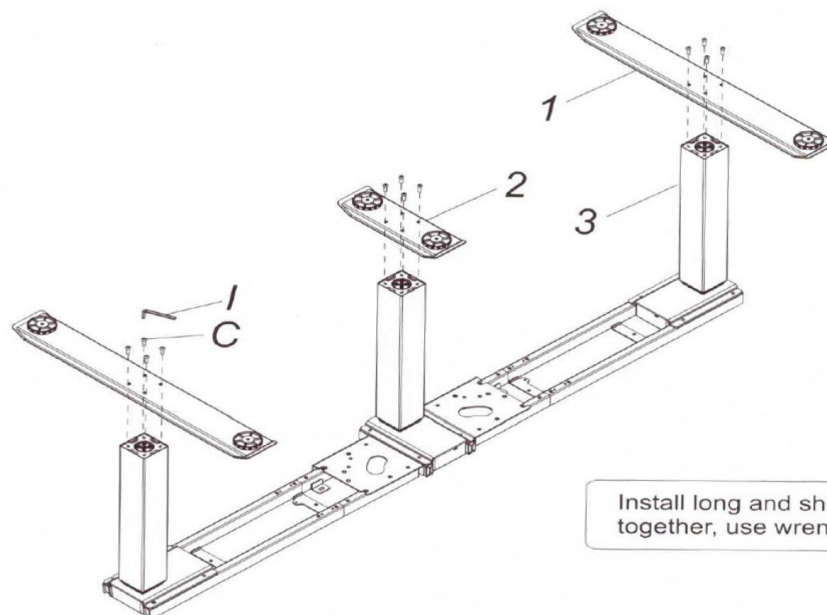
90° and 120° installation



Install the long feet and the lifting column (3) together, use wrench (I) to tighten the screws (C).

### STEP 3-2

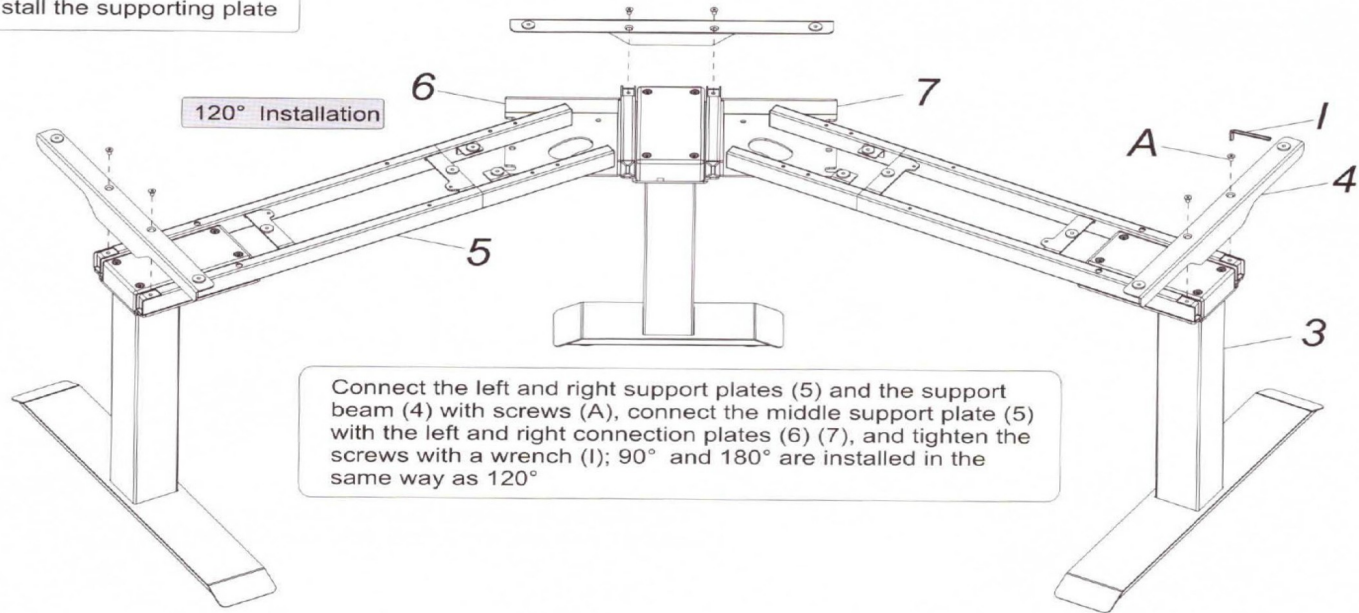
180° Installation



Install long and short the feet (1)(2) and the lifting column (3) together, use wrench (I) to tighten the screws (C).

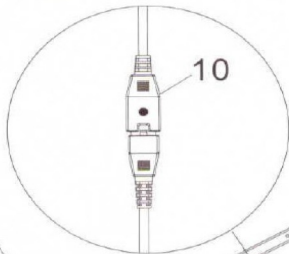
## STEP 4

Install the supporting plate



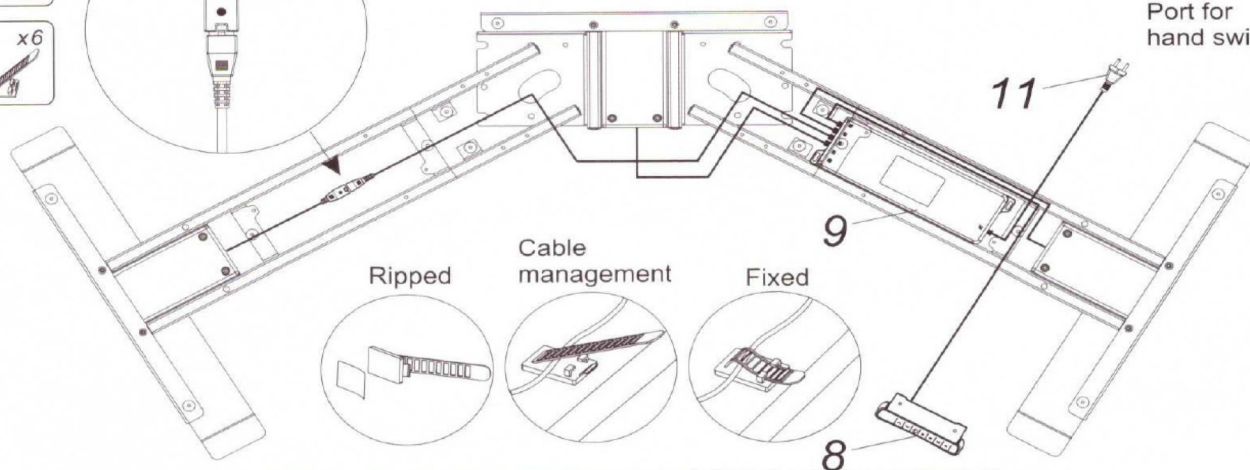
## STEP 5

Connect All the Cables onto the Control Box

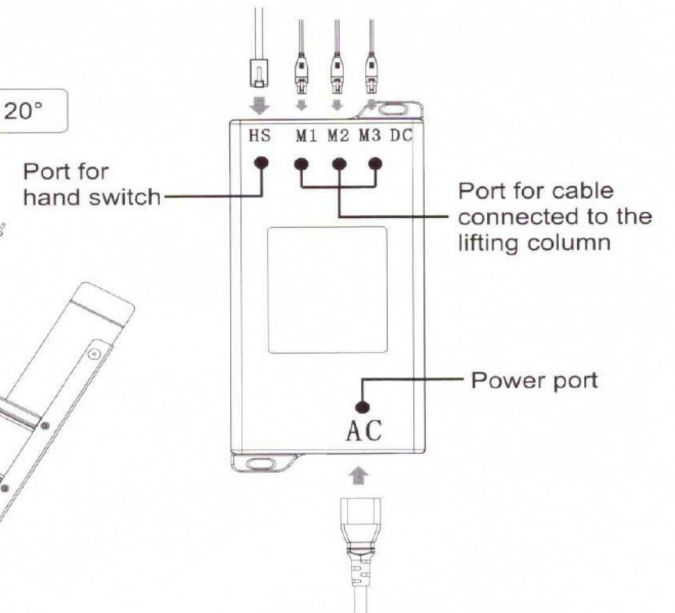


120° Installation

90° and 180° wiring is the same as 120°



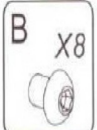
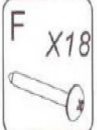
The wiring fixing seat (H) can be glued to the desk board, and can also be screwed to the desk board with screws (G)



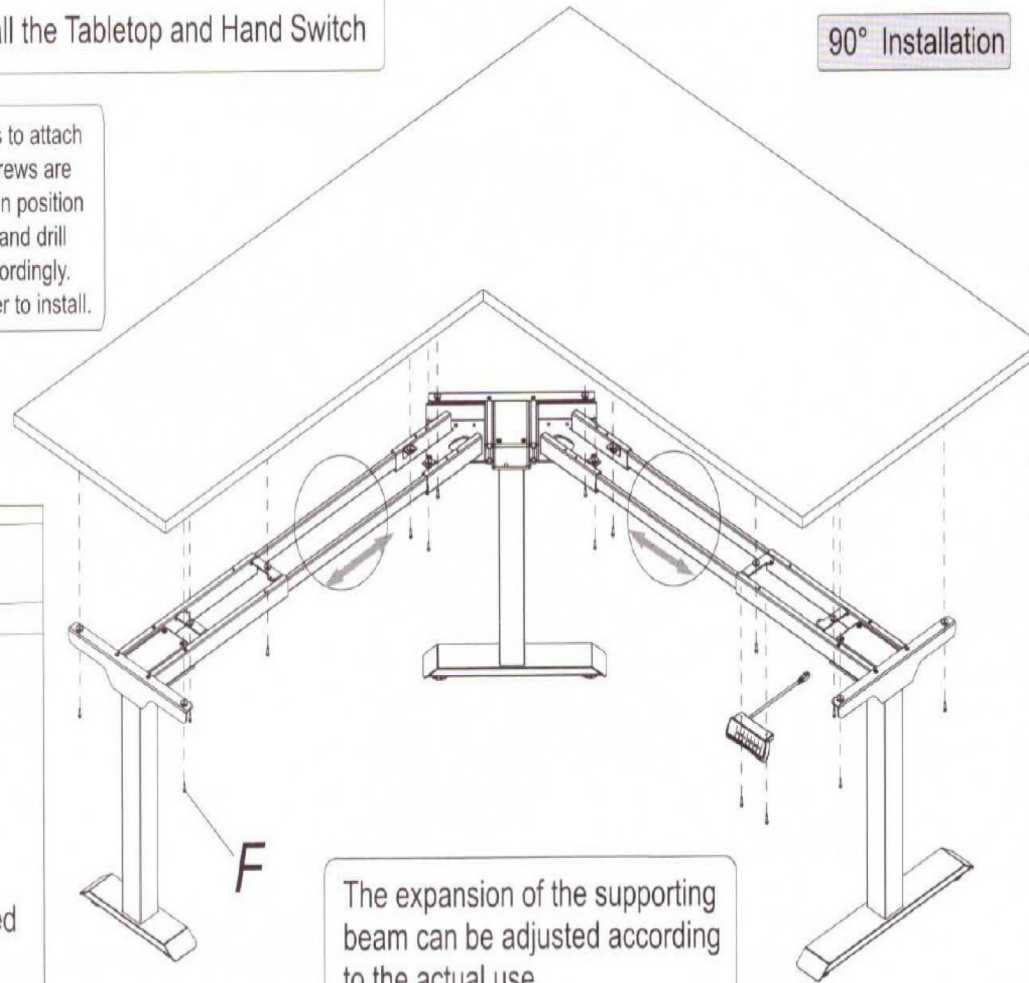
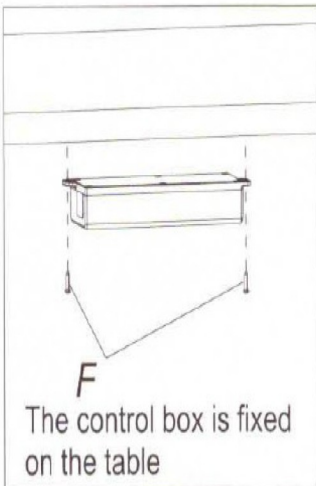
# STEP 6-1

Install the Tabletop and Hand Switch

90° Installation



Use (F) wood screws to attach desktop(s). Wood screws are self-drilling so you can position top(s) how you like and drill your own holes accordingly. Use power screwdriver to install.



The expansion of the supporting beam can be adjusted according to the actual use.

