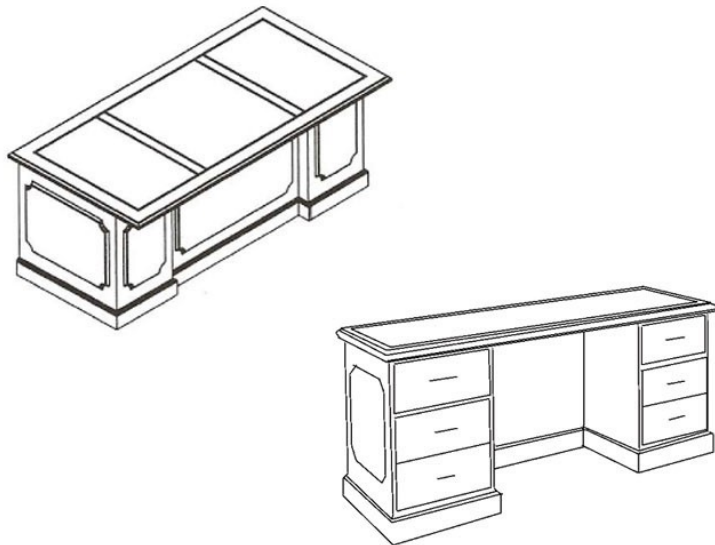




Modern Office
 6900 Shady Oak Road, Ste 120
 Eden Prairie, MN 55344
 Phone: 800.443.5117
 (In MN): 952-941-2837
 Fax: 952.949.9816
www.modernofficefurniture.com

ASSEMBLY INSTRUCTIONS

5210 Traditional Veneer Executive Desk
 5211 Traditional Veneer Kneespace Credenza



PARTS LIST

| Part | Part |
|---|--|
|  Wood Dowel |  Cap |
|  Cam Pin |  Leveling Glide |
|  Cam Lock |  Drawer Pull |
|  1/2" Black/Silver Screws |  L-Bracket |
|  1" Screw |  1-1/4" Screw |

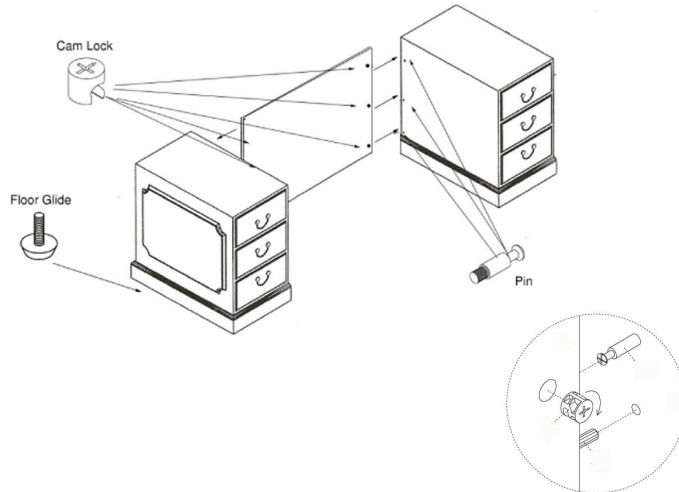


Modern Office
6900 Shady Oak Road, Ste 120
Eden Prairie, MN 55344
Phone: 800.443.5117
(In MN): 952.941.2837
Fax: 952.949.9816
www.modernofficefurniture.com

Assemble on a smooth, carpeted floor to prevent scratches or damage.
Assembly will require 2 people for safety.

Step 1:

Screw in floor glides in bottom of pedestals and modesty panel.
Arrange pedestals and attach modesty panel using the cams and inserts.
Place the 6 plastic caps over cam locks

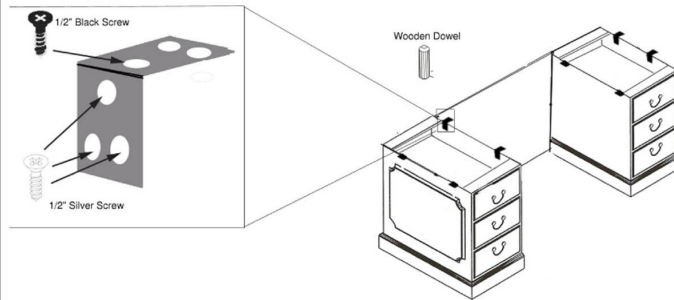


*Special Note: Some of the pre-drilled holes may be covered by the veneer.
Feel for holes with your finger and use a pencil or screwdriver to poke through the veneer to access the hole.

2

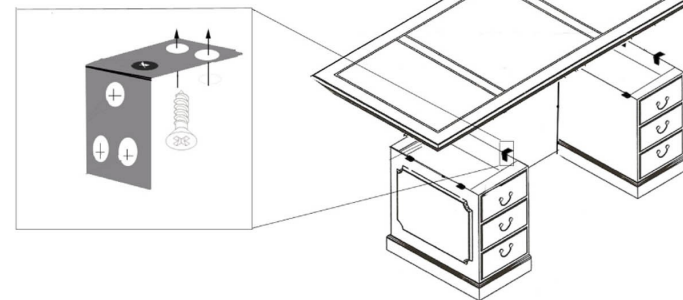
Step 2:

Place 8 L-Shaped Brackets where notched, as shown below (facing inside of drawer pedestal). Using the 8 Black 1/2" Screws, screw down into the pedestal as shown. Using 24 Silver 1/2" Screws, screw into the side of the drawer pedestal as shown.



Step 3:

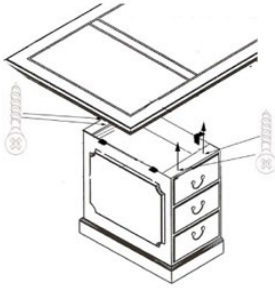
Carefully place desktop on pedestals, using the dowels as guides.
Now, use the 16, 1" Silver Screws to screw up through the bracket into the desk top.



3

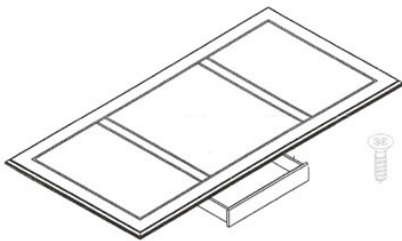
Step 4:

Remove top box drawer of each pedestal squeezing brackets on both sides. Each pedestal has two wooden top bars. Use the 8, 1 1/4" Silver Screws and screw up into/through the bar and into desk top. Use 2 screws for front and back bar, totaling 4 per pedestal.



Step 5 (for executive desks only):

Center the Center Drawer underneath the desktop and attach using 12, 1/2" Silver Screws.



4

Step 6

Attach all drawer pulls with the drop handles and screws provided.

Questions? Call Modern Office customer service at
800-443-5117, Mon-Fri, 8:30-5PM Central Time.

5