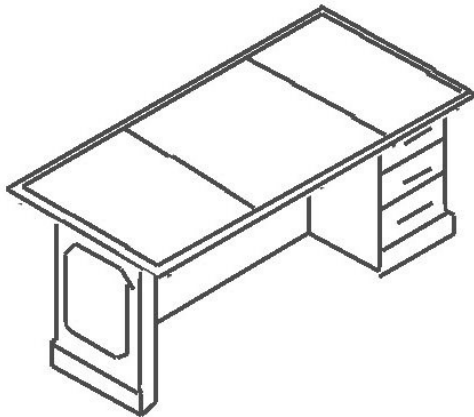


ASSEMBLY INSTRUCTIONS

**5212 Right Pedestal Executive Desk
(for L or U desks with Left Return/Bridge)**



PARTS LIST

Part	Part
 Wood Dowel	 Cap
 Cam Pin	 Leveling Glide
 Cam Lock	 Drawer Pull
 1/2" Black/Silver Screws	 L-Bracket
 1" Screw	 1-1/4" Screw

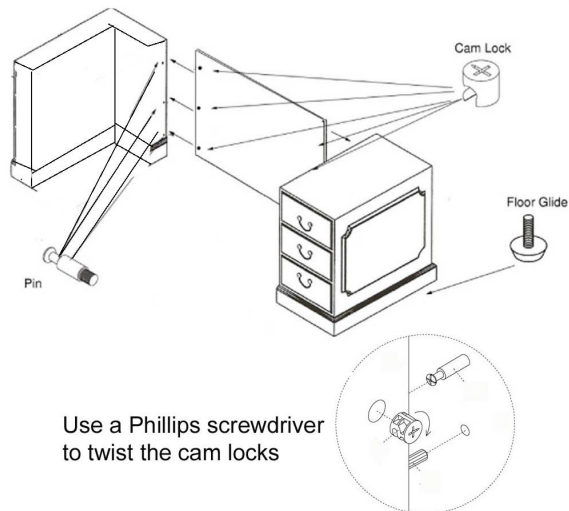


Modern Office
6900 Shady Oak Road, Ste 120
Eden Prairie, MN 55344
Phone: 800.443.5117
(In MN): 952.941.2837
Fax: 952.949.9816
www.modernofficefurniture.com

Assemble on a smooth, carpeted floor to prevent scratches or damage.
Assembly will require 2 people for safety.

Step 1:

Screw in leveling glides on bottom of pedestal, modesty panel and L-shaped side support panel. Arrange as shown in drawing. Then attach modesty panel to pedestal and support with cam locks as shown.



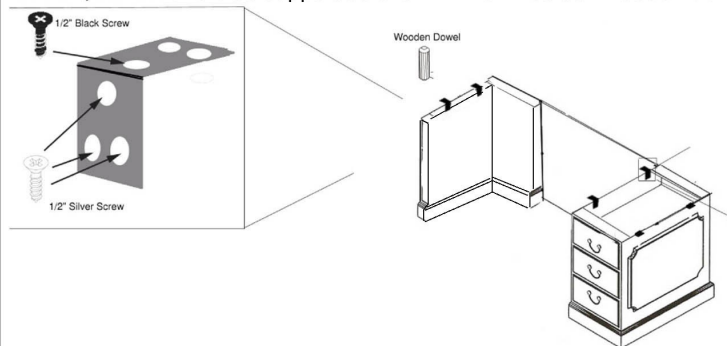
Use a Phillips screwdriver
to twist the cam locks

*Special Note: Some of the pre-drilled holes may be covered by the veneer.
Feel for holes with your finger and use a pencil or screwdriver
to poke through the veneer to access the hole.

2

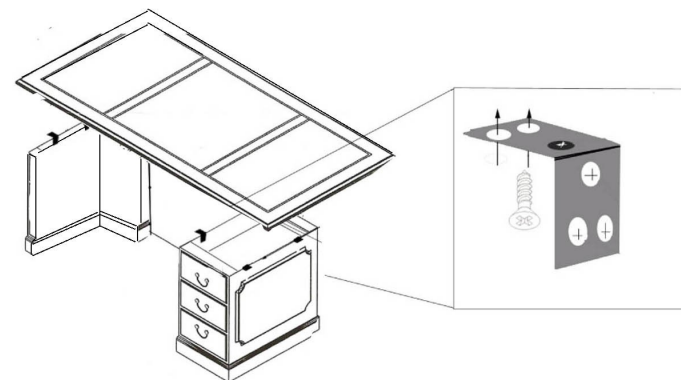
Step 2:

Place 6 L-Shaped Brackets where notched, as shown below (facing inside of drawer pedestal). Using the Black 1/2" Screws, screw down into the pedestal as shown. Using Silver 1/2" Screws, screw into the side of the drawer pedestal and side support as shown. Then insert all wooden dowels.



Step 3:

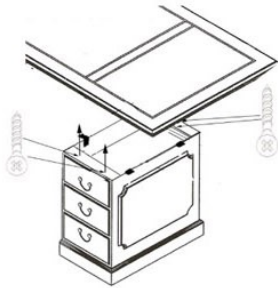
Carefully place desktop using the dowels as guides.
Now, use the 16, 1" Silver Screws to screw up through the pedestal
into the desk top.



3

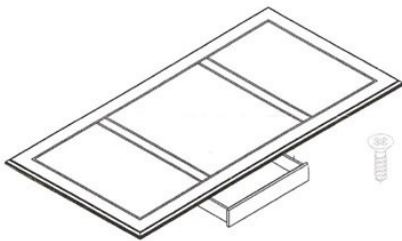
Step 4:

Remove top box drawer of the pedestal squeezing brackets on both sides. Each pedestal has two wooden top bars. Use the 8, 1 1/4" Silver Screws and screw up into/through the bar and into desk top. Use 2 screws for front and back bar, totaling 4 per pedestal.



Step 5 (for executive desks only):

Center the Center Drawer underneath the desktop and attach using 12, 1/2" Silver Screws.



4

Step 6

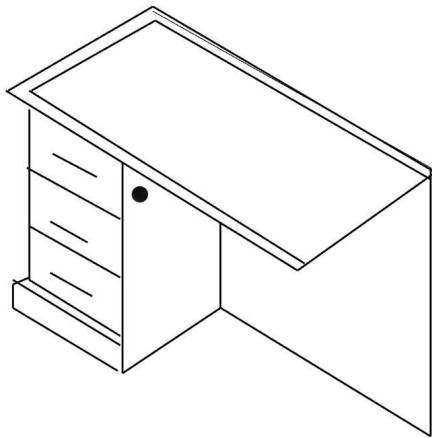
Attach all drawer pulls with the drop handles and screws provided.

Questions? Call Modern Office customer service at
800-443-5117, Mon-Fri, 8:30-5PM Central Time.

5

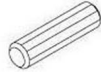

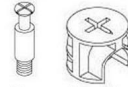
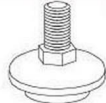






Left Return Desk

5217



ASSEMBLY INSTRUCTIONS

PARTS LIST

Part	Part
 Wood Dowel	 Cap
 Cam Lock & Pin Set	 Leveling Glide
 Flat Bracket & Screws	 Drawer Pull
 1/2" Black/Silver Screws	 L-Bracket
 1" Screw	 1-1/4" Screw

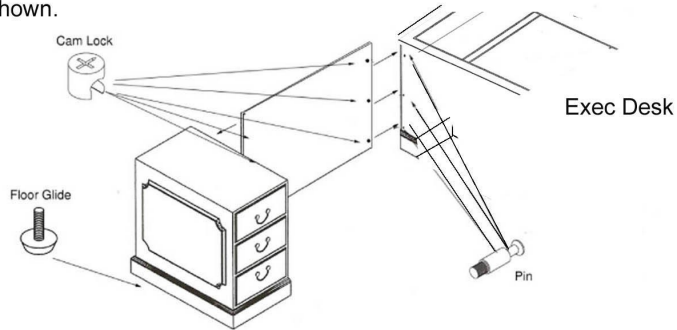


Modern Office
6900 Shady Oak Road, Ste 120
Eden Prairie, MN 55344
Phone: 800.443.5117
(In MN): 952.941.2837
Fax: 952.949.9816
www.modernofficefurniture.com

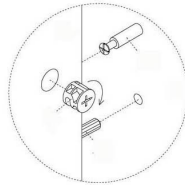
Assemble on a smooth, carpeted floor to prevent scratches or damage.
Assembly will require 2 people for safety.

Step 1:

Screw in leveling glides on bottom of pedestal and side panel.
L-shaped side support panel. Arrange as shown in drawing. Then
attach modesty panel to pedestal and support with cam locks as
shown.



Use a Phillips screwdriver
to twist the cam locks

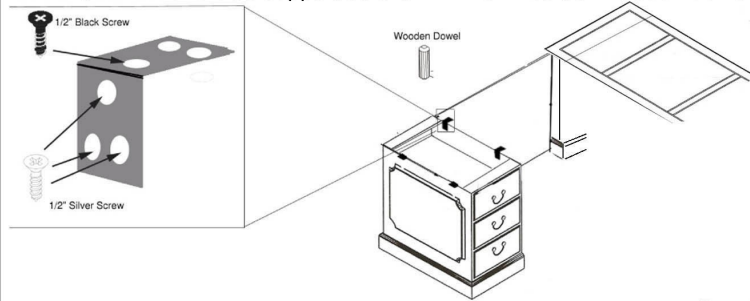


*Special Note: Some of the pre-drilled holes may be covered by the veneer.
Feel for holes with your finger and use a pencil or screwdriver
to poke through the veneer to access the hole.

2

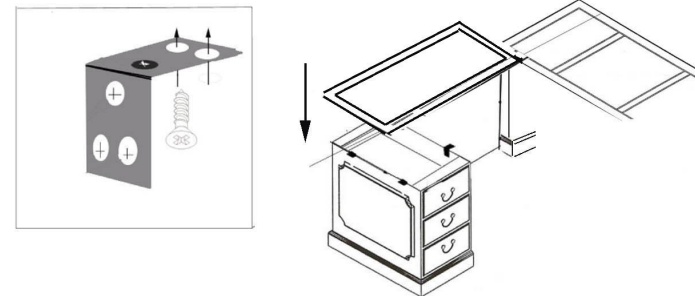
Step 2:

Place 4 L-Shaped Brackets where notched, as shown below (facing inside
of drawer pedestal). Using the Black 1/2" Screws, screw down into the
pedestal as shown. Using Silver 1/2" Screws, screw into the side of the
drawer pedestal and side support as shown. Then insert all wooden dowels.



Step 3:

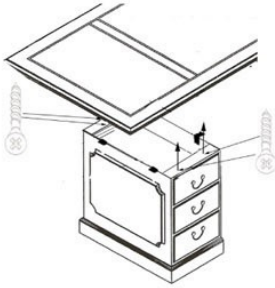
Carefully place desktop using the dowels as guides.
Now, use the 16, 1" Silver Screws to screw up through the bracket
into the desk top.



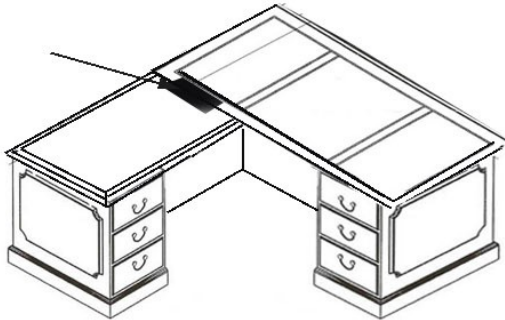
3

Step 4:

Remove top box drawer of the pedestal squeezing brackets on both sides. Each pedestal has two wooden top bars. Use the 8, 1 1/4" Silver Screws and screw up into/through the bar and into desk top. Use 2 screws for front and back bar, totaling 4 per pedestal.



Step 5 Install flat bracket, centered over seam between executive desk and return desk, on the **UNDERSIDE** of the desk surfaces. Use the wood screws provided.



4

Step 6

Attach all drawer pulls with the drop handles and screws provided. Cover any cam locks with the caps.

Questions? Call Modern Office customer service at 800-443-5117, Mon-Fri, 8:30-5PM Central Time.

5