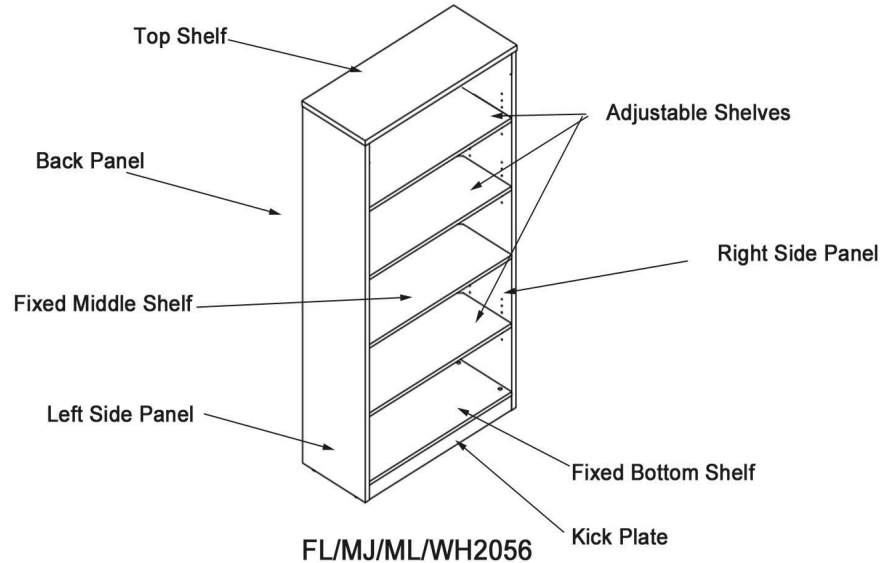


5-Shelf Bookcase Assembly Instructions



List of Hardware:

Part	Part
 Wood Dowel	 Shallow Cover
 Cam Pin & Lock Set	 Deep Cover
 Shelf Pin	 Leveling Glide

- 1.) Attach Kick Plate to Bottom Shelf using the cam locks and pins. Once connected, twist cam locks with your screwdriver to secure the connection.
- 2.) Next, insert all dowels, cam locks and cam pins into the Back Panel. Attach Middle Fixed Shelf and Bottom Fixed Shelf with attached Kick Plate.
- 3.) Attach Left & Right Side Panels in same method.
- 4.) Now, insert the four leveling glides into the bottom of the bookcase.
- 5.) Attach the Top Shelf to the rest of the bookcase.
- 6.) With a helper, carefully turn the bookcase upright.
- 7.) Insert Shallow & Deep Covers over the cam locks.

Tools Needed:

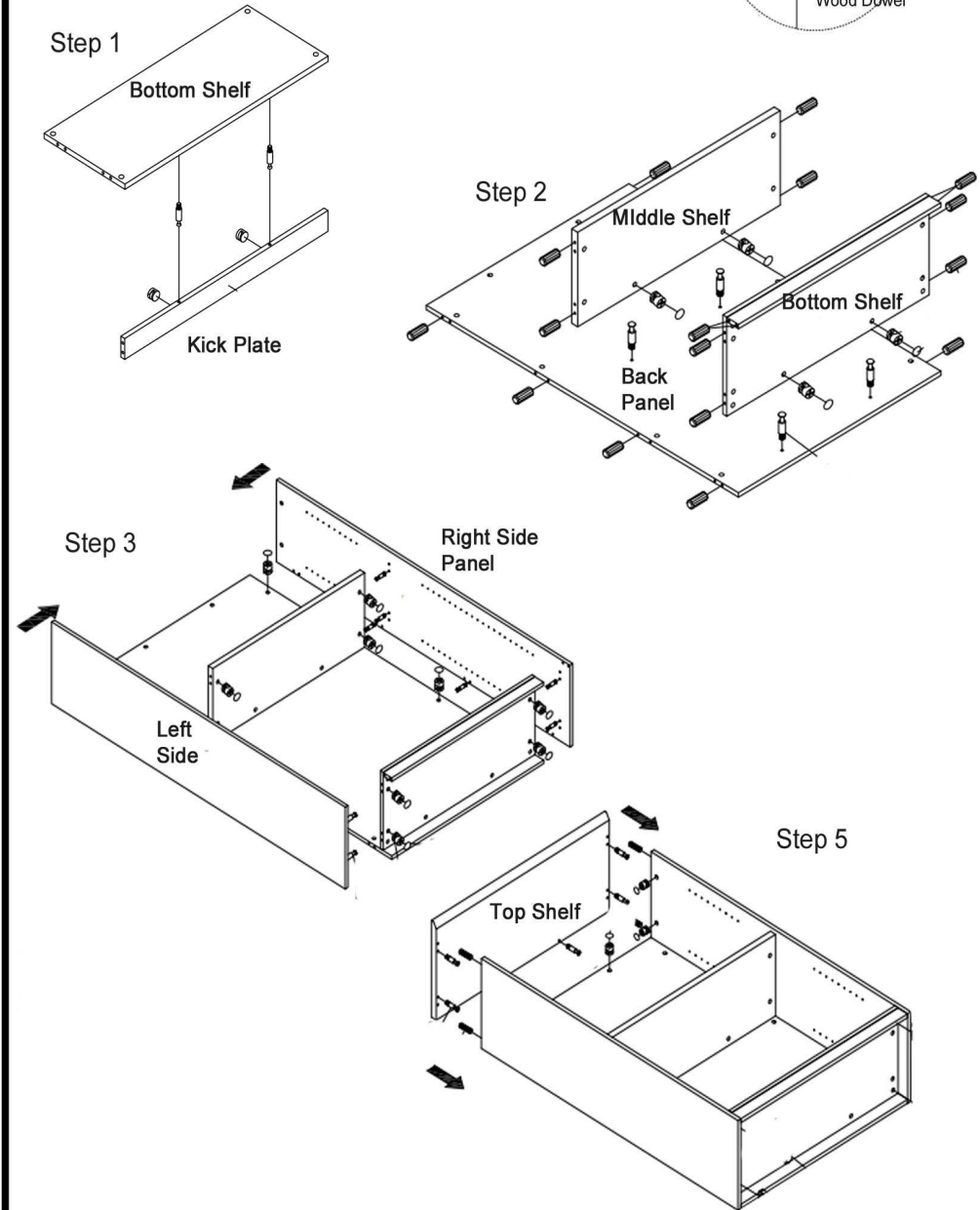
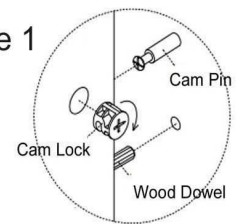
- Phillips Screwdriver
- A Helper

- 8.) The last step is to insert the shelf pins into the predrilled holes along the inside of the Left & Right side panels. Then set the adjustable shelves inside.

Special Note:

Location & number of cam pin, cam lock and dowel holes may vary.

Figure 1



Questions? Please call 1-800-443-5117.

Customer Service available 8:30 - 5:00 Central Time, Monday - Friday