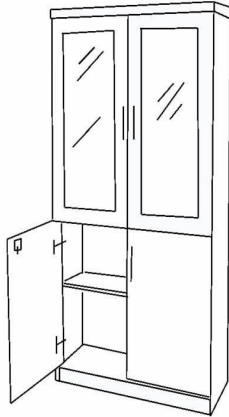


Glass Door Bookcase Assembly Instructions



Tools Needed:



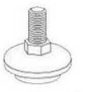
- Phillips Screwdriver
- A Helper

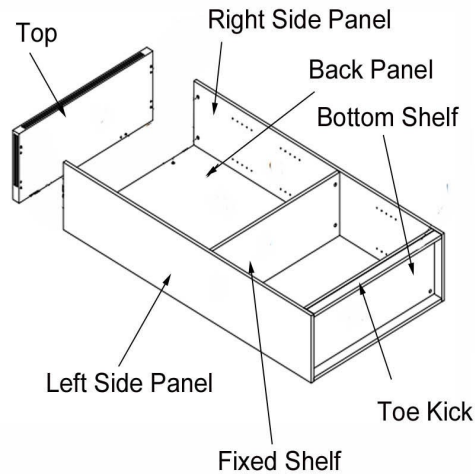
Applies to: FL/ML2060

Special Note:

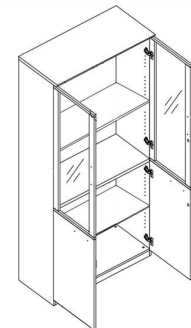
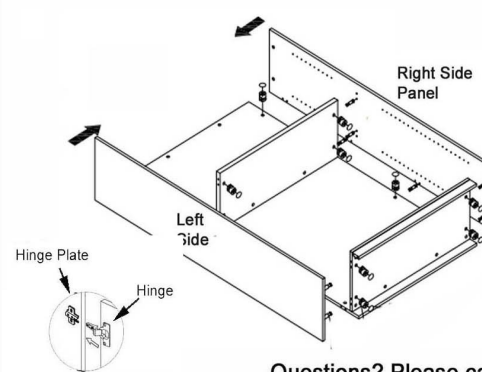
Location & number of cam pin, cam lock and dowel holes may vary.

List of Hardware:

 Wood Dowel	 Shelf Pin	 Hinge
 Cam Pin	 Plunger Lock	 Hinge Plate
 Cam Lock	 Leveling Glide	 Lock/Key
 Door Pull	 Shallow Cover	 Deep Cover



- 2.) Start by attaching the Toe Kick to the Bottom Shelf. Use the cam lock/pin hardware provided with a Phillips Screwdriver to twist the cam locks to lock.
- 3.) Attach Bottom Shelf/Toe Kick to Back Panel.
- 4.) Connect Fixed Shelf to Back Panel.
- 5.) Next, attach the Left Side Panel to Back Panel, Fixed Shelf and Bottom Shelf.
- 6.) Attach the Right Side Panel to the Back Panel, Fixed Shelf and Bottom Shelf.
- 7.) Attach the Top using same hardware/method.
- 8.) Stand Bookcase upright with a helper. Then, insert your shelf pins and mount the shelves inside.
- 9.) Next, attach all 8 Hinge Plates to the insides of the Side Panels. The holes are piloted. **DO NOT FULLY TIGHTEN! LEAVE WIGGLE ROOM FOR ADJUSTING LATER ON!**
- 10.) Attach Hinges to the Glass Doors and Laminate Doors. Then, hinges/doors into the Hinge Plates and tighten the set screw partially. **DO NOT FULLY TIGHTEN!**
- 11.) Align the doors by using the set screws and screws holding in the Hinge Plates. Once aligned, you can fully tighten down all screws.
- 12.) Mount Plunger Locks onto the left side doors. The left Glass Door will have the Plunger Lock on the lower outside corner. The left Laminate door will have the lock on the upper outside corner. Align the Plunger Lock so that the plunger will fit inside the grooved out hole when activated.
- 13.) Attach the door pulls with the screws provided.
- 14.) Cover the cam locks with the caps provided.



- 1.) Lay out all of the panels on a carpeted surface or on cardboard to protect during assembly. Insert all cam pins, cam locks and dowels into holes. Insert all 4 leveling glides into the Left & Right Side Panels.

Questions? Please call 1-800-443-5117.

Customer Service available 8:30 - 5:00 Central Time, Monday - Friday