

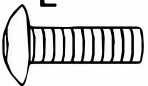
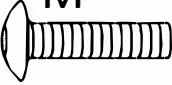

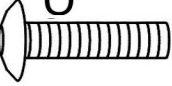

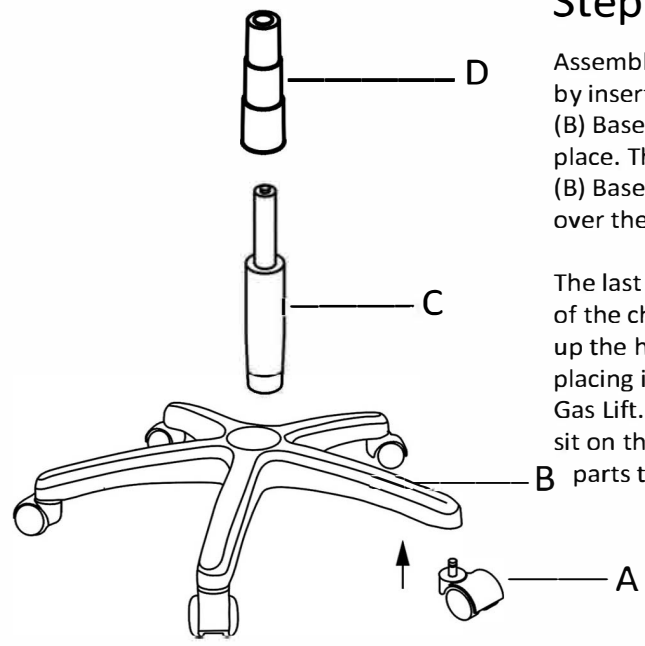
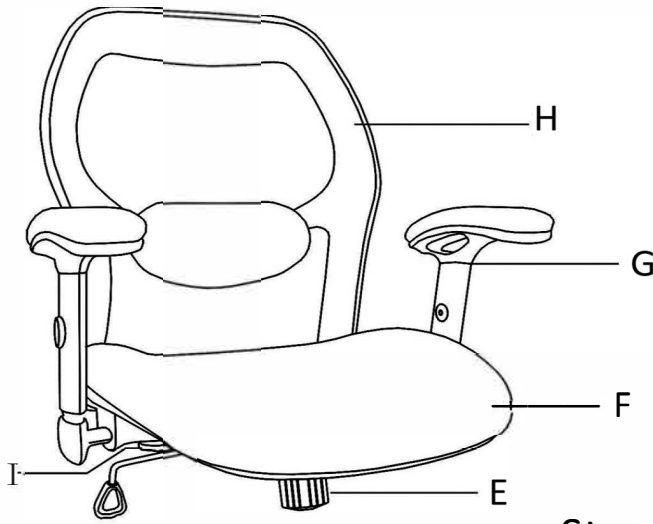


Y9781 - Mesh Ergonomic Chair Assembly Instructions

J  Lock Washer Qty 8	K  Washer Qty 8
L  M6x30mm Qty 2	
M  M6x40mm Qty 4	
N  Allen Wrench	
O  M6x35mm Qty 2	
P  5mm Spacers Qty 2	

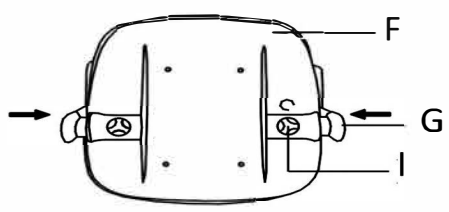


Step 4

Assemble the lower half of the chair by inserting the (A) Casters into the (B) Base by hand. Casters will snap into place. Then, insert the (C) Gas Lift into (B) Base. Next, place the (D) Bellows over the (C) Gas Lift.

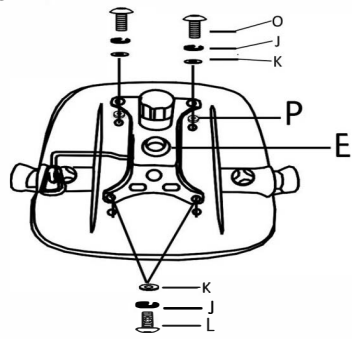
The last step is to place the upper half of the chair over the lower half, lining up the hole in the (E) Mechanism and placing it over the top of the (C) Gas Lift. Press down, then carefully sit on the chair to pressure fit the (B) parts together.

Step 1



Insert (G) Armrests into slots and attach (I) Tension Knobs into (F) seat cushion.

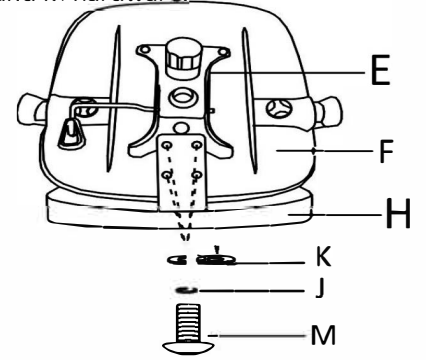
Step 2



Attach (E) Mechanism to the (F) seat using the K, J, L, O and P hardware

Step 3

Attach (H) backrest of the (F) seat over the (E) Mechanism with the K, J and M hardware.



Questions? Please call 1-800-443-5117.

Customer Service available 8:30 - 5:00 Central Time, Monday - Friday