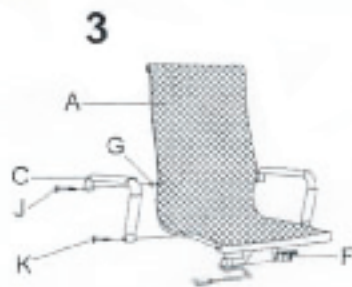
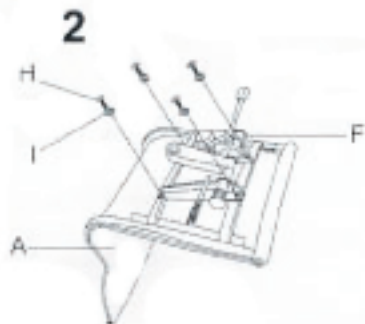
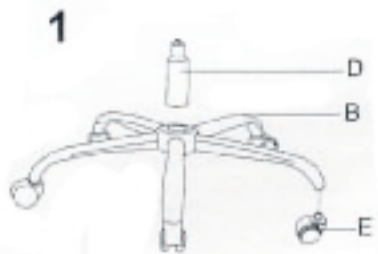


# Y9947 Mesh Modern Classic Office/Conference Chair Assembly Instructions



|   |   |   |   |  |   |
|---|---|---|---|--|---|
| A |  | 1 | G |               | 2 |
| B |  | 1 | H |  Medium       | 4 |
| C |  | 2 | I |  Small        | 4 |
| D |  | 1 | J |  Large Medium | 2 |
| E |  | 5 | K |  Large Medium | 2 |
| F |  | 1 | L |               | 1 |