



Weight capacity: 300LBS

ASSEMBLY INSTRUCTION ——— Y14247 CHAIR

Before You Begin

Please identify all component parts and hardware pieces required before you begin. Carefully remove all of the components from the packing and set aside for assembly. Assemble on a soft surface to prevent scratching during assembly.

Caution:

Tighten all components securely before use. Failure to do so may result in personal injury.
DO NOT use any sharp objects to open plastic wrapped components as damage to product or components may result.

Warning:

CHOKING HAZARD - Small Parts. Adult Assembly Required.
DO NOT ALLOW CHILDREN TO CLIMB ON FURNITURE.



COMPONENT LIST

Part 1 Back Frame x 1



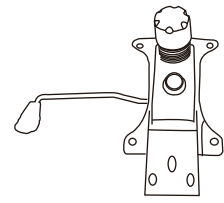
Part 2 Back Support x 1



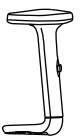
Part 3 Seat x 1



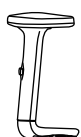
Part 4 Mechanism x 1



Part 5 Right Arm x 1



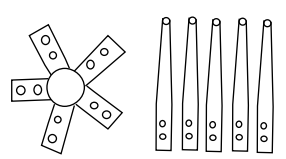
Part 6 Left Arm x 1



Part 7 Gas Lift x 1



Part 8 Base x 1



Part 9 Castor x 1



Part 10 Headrest x 1









Part 11 Headrest Cover x 1



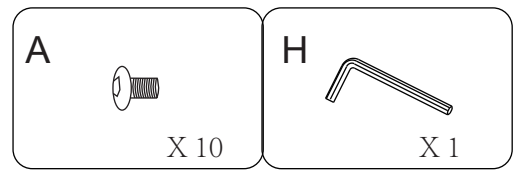
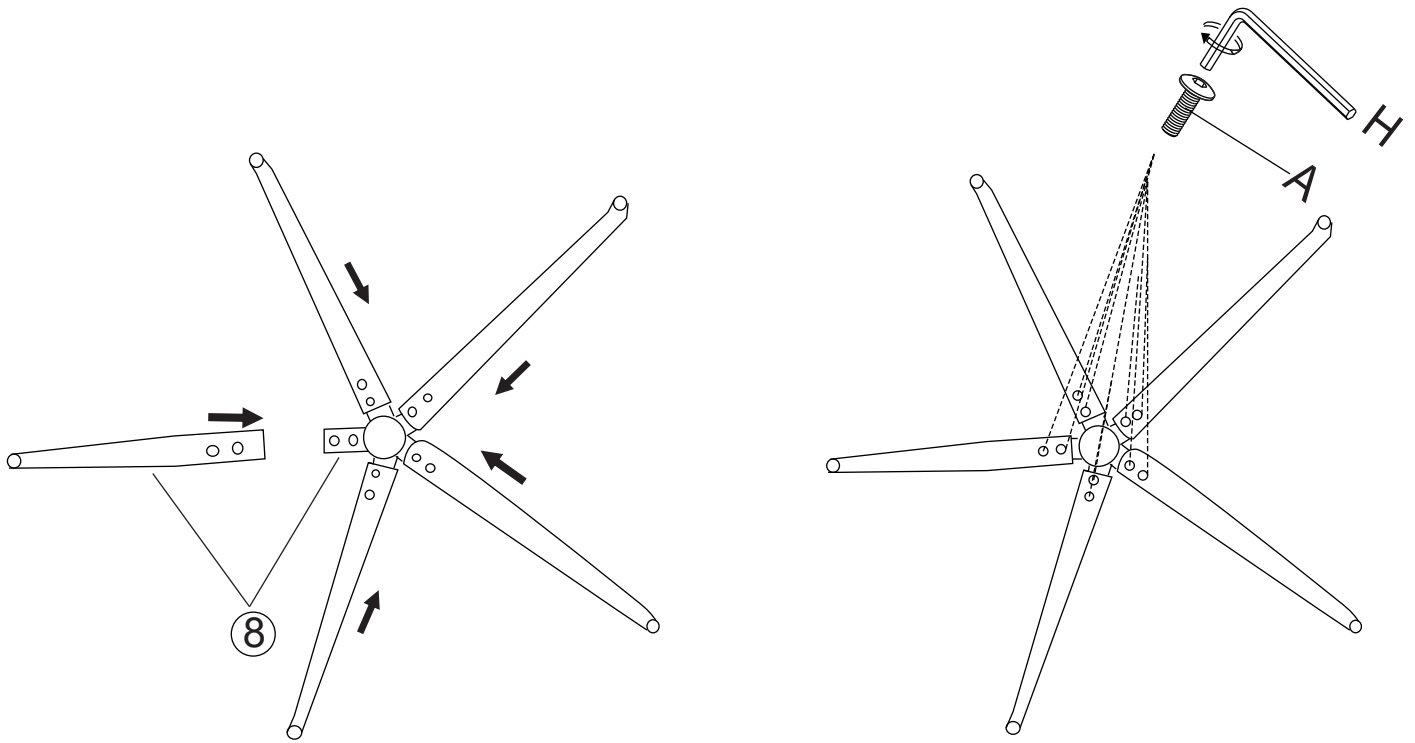
Part 12 Support Cover x 1



HARDWARE LIST

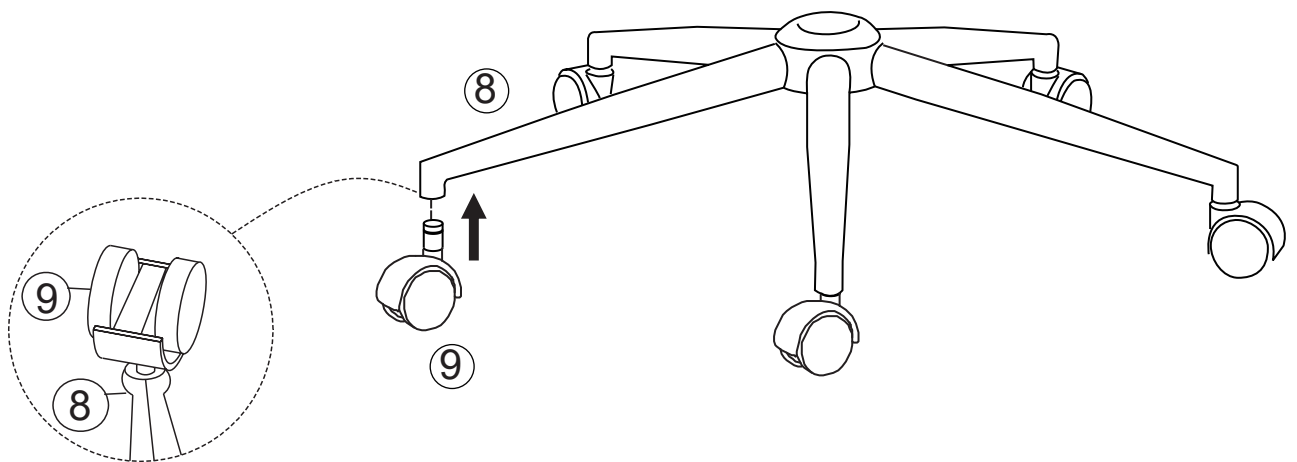
Part A		Bolt M6 x12 mm	QTY 10	Part E		Bolt M8 x 20 mm	QTY 3
Part B		Bolt M6 x30 mm	QTY 7	Part F		Bolt M6 x 30 mm	QTY 1
Part C		M6 Flat Washer#14	QTY 6	Part G		M6 Flat Washer#12	QTY 1
Part D		Bolt M6 x 25 mm	QTY 4	Part H		Allen Wrench	QTY 1

STEP 1 :

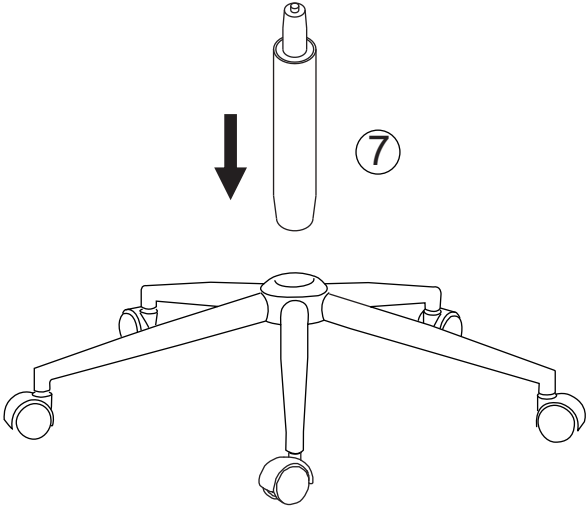


Hardware & Tools required

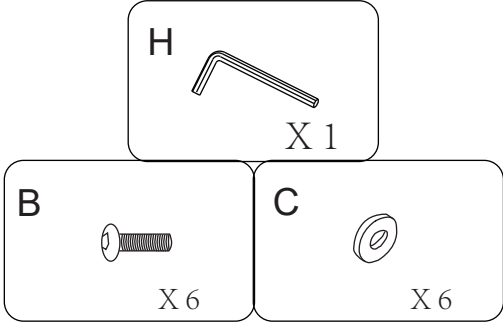
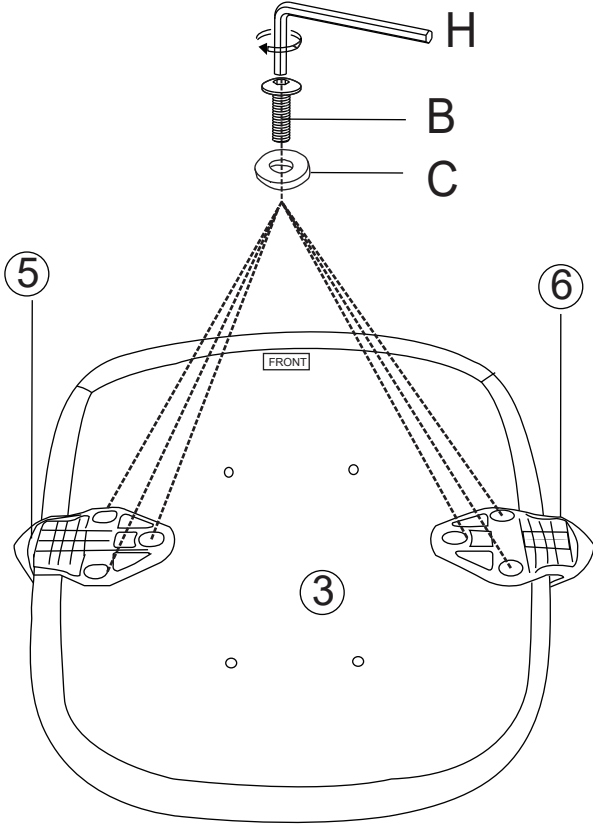
STEP 2 :



STEP 3 :

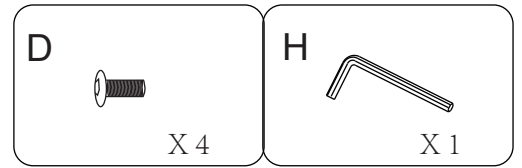
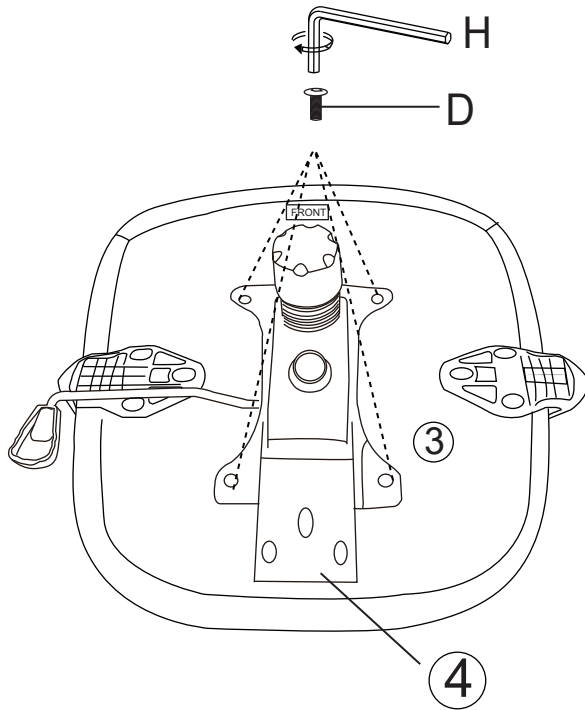


STEP 4 :



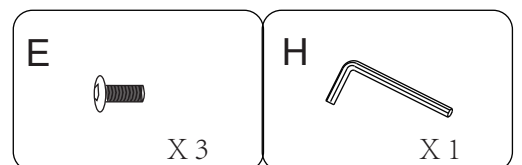
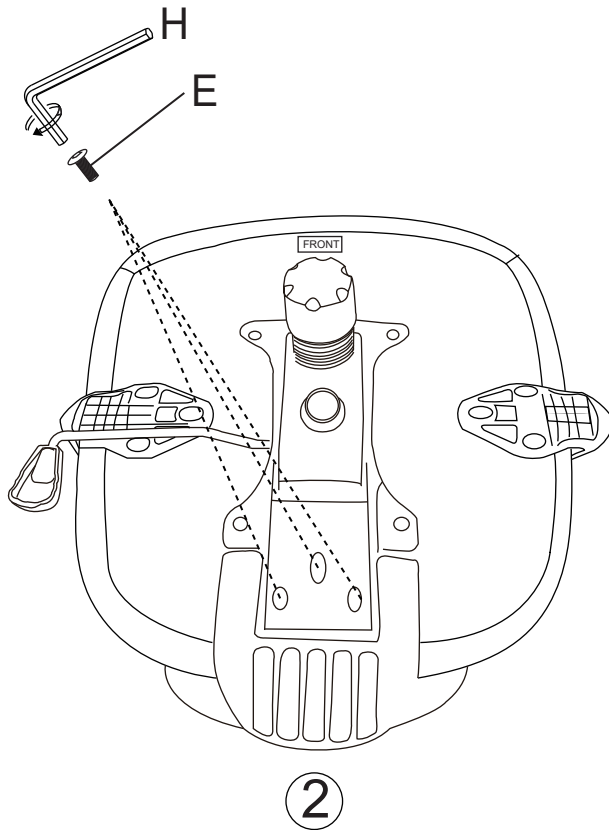
Hardware & Tools required

STEP 5 :



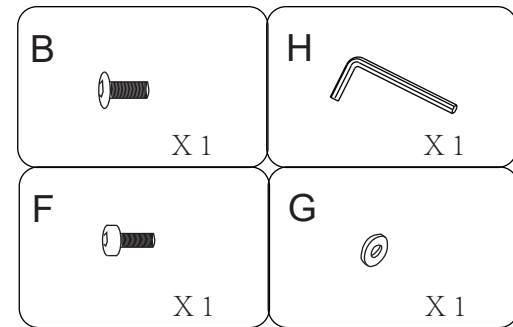
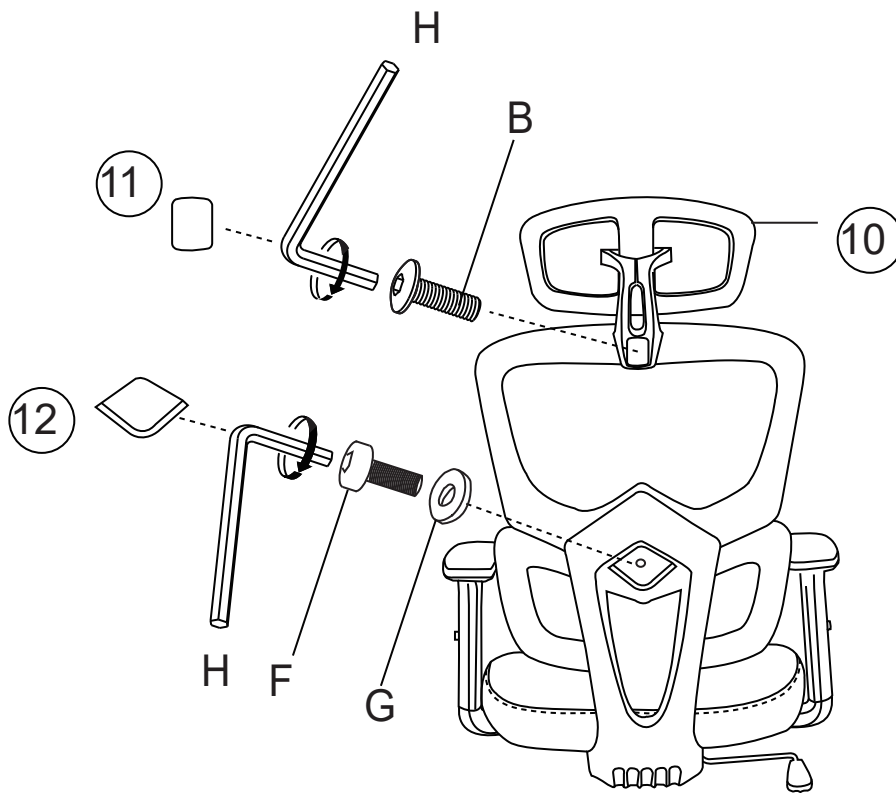
Hardware & Tools required

STEP 6 :



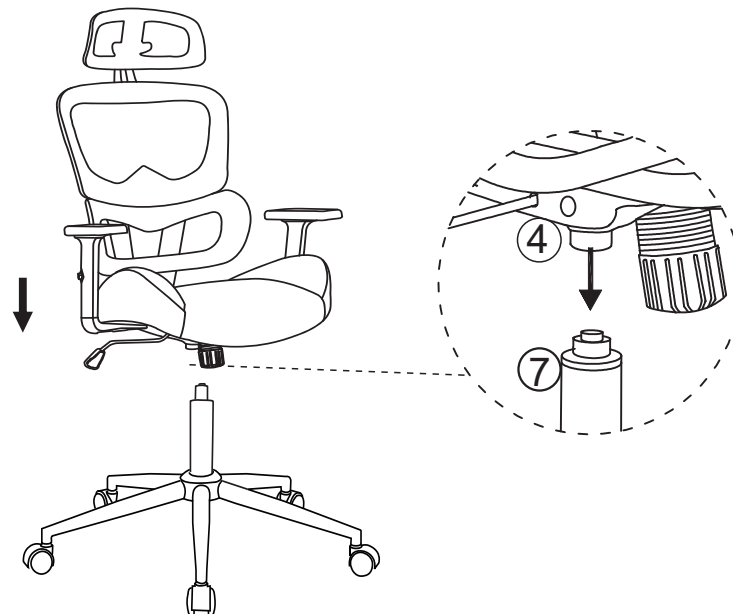
Hardware & Tools required

STEP 7 :



Hardware & Tools required

STEP 8:





Your Chair is now complete and ready for use.

IMPORTANT NOTE: Periodically check and re-tighten screws.

Care Instruction

#Vacuum regularly

#To maintain the appearance of non-upholstered parts,wipe the surface with a clean cloth dampened with a mild soap solution .

#Spot clean with upholstery shampoo or dry powdered cleaner only. Test on a concealed area before proceeding. Apply proprietary cleaning products strictly according to instructions.

#Do not saturate fabric or interior with water or other cleaning products.

#Treat spills immediately with an absorbent cloth by blotting the spill.

#Keep away and protect from direct sunlight and heat.

#Avoid contact with skin,in particular during high temperatures and humidity.

#Piling many occur as a result of daily wear.This is not a manufacturing fault and can be removed by using a Fabric Pill Remover.De-pilling removes unsightly loose surface fibres and does not affect fabric performance.

#Clean,check and tighten parts regularly.

#Do not place excessively heavy items on the chair to prevent deformation.

Y14247 CHAIR

Functionity



- * Up & Down 3.15 Inch



- * 45° Rotation Angle



- * Height Adjustable Arms



- * **Chair Height Adjustment**

- To increase chair height pull lever upward while lifting body weight slightly off the seat.
- Release lever at desired height.

- To lower chair height sit fully into the chair and pull lever upward.
- Release lever at desired height.



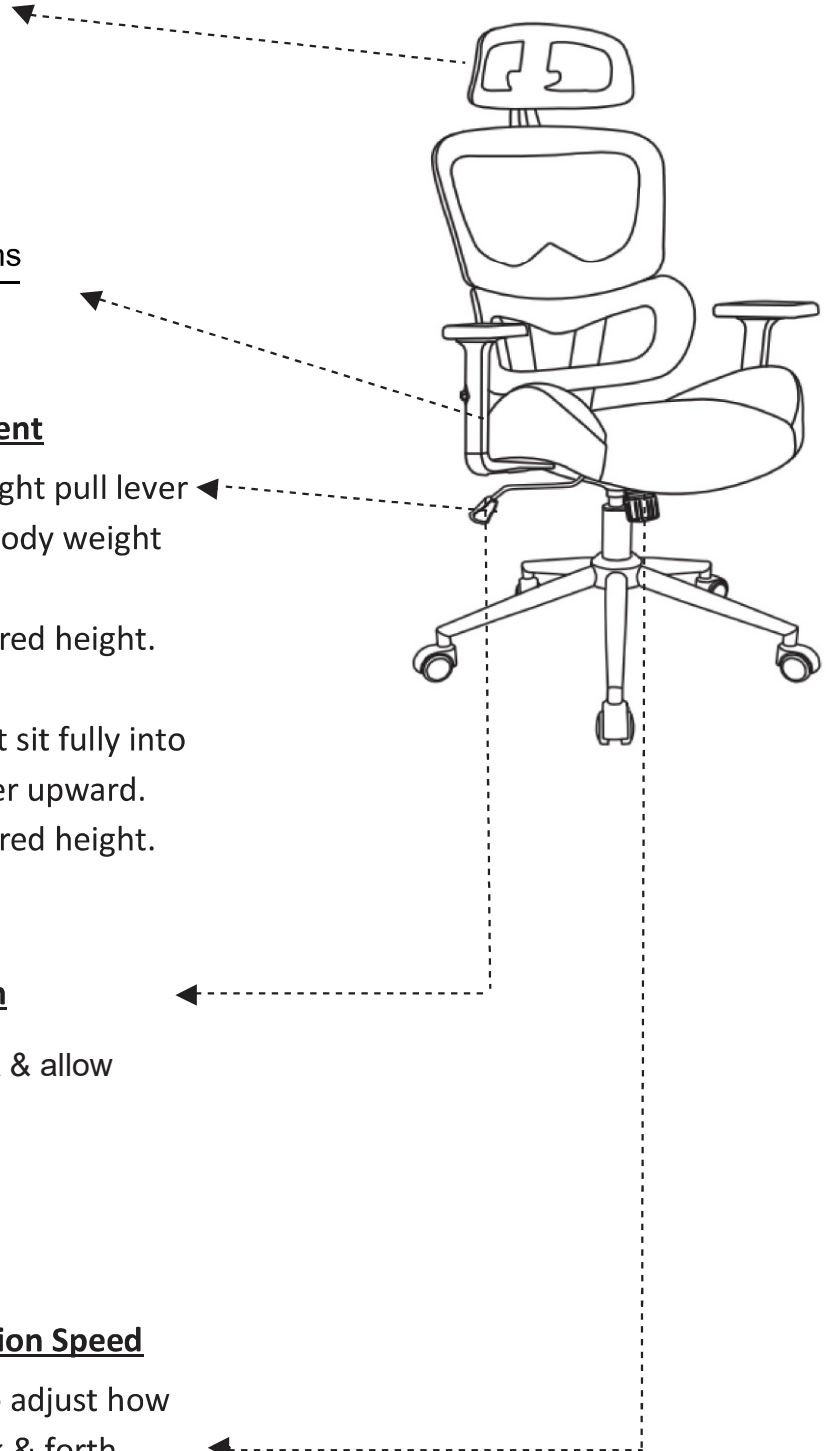
- * **Chair tension function**

- Pull lever out to unlock & allow chair to tilt back & forth



- * **Adjustable Chair Tension Speed**

- Turn continuously to adjust how quickly chair tilts back & forth.



Note: If adjusting while sitting in chair:
Turn knob left to tighten tension.
Turn knob right to loosen tension.