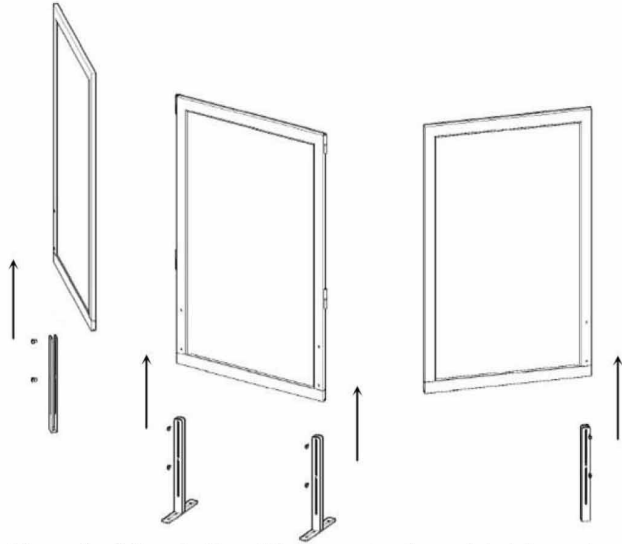
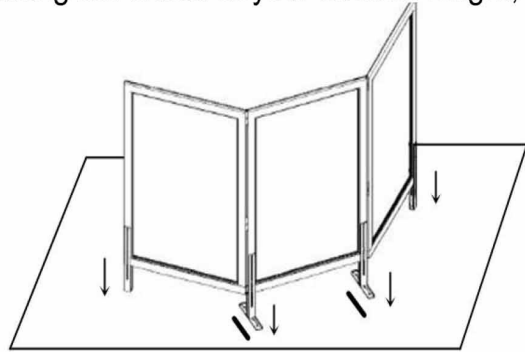


# Metal Frame Acrylic Shield Assembly Instructions

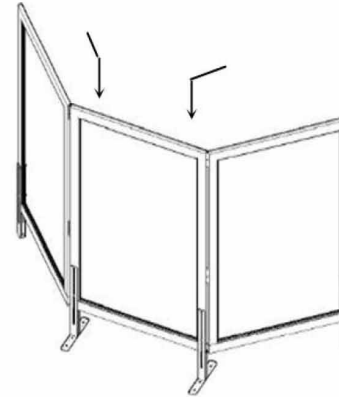
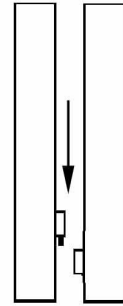


**Step 1:** Attach the Clamps to the shields using the M6\*8 screws and Allen Wrench provided. To adjust the height of the shields, leave the screws loose and with a helper holding the shield at your desired height, tighten down.

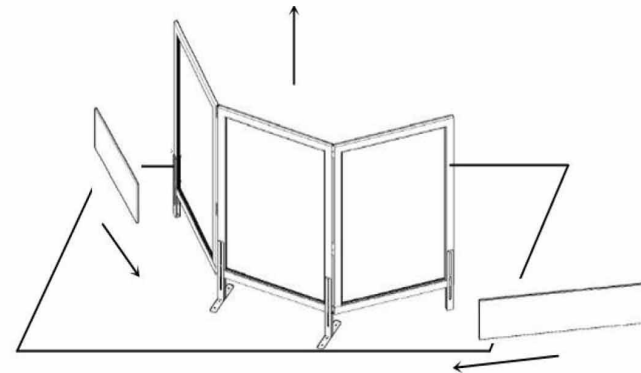


**Step 3:** For stability, secure the feet of the Center Shield by either applying the double sided adhesive tape (included) to the feet or by drilling the self-drilling screws through the holes of the feet into your surface.


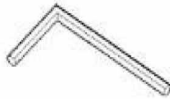





Add On Center



**Step 2:** If you purchased your shield with add-on wings, slide the hinge(s) of the add-on(s) into the hinges of the center shield.



**Step 4:** Optional: If you plan to raise the shields, loosen the screws of the Add-on Clamps and slide the Acrylic Side Screens In. This will be a tight fit so the screen will stay positioned and may require a rubber mallet to gently tap in.

Self Drilling Screw  10pcs	Allen Wrench  1 pc
Double-Sided Tape  1 pc	M6*8 Screws  16pcs
	Acrylic Side Screen  2pcs
	Center Screen Clamp  2pcs
	Add-On Clamp  2pcs

Questions? Please call 1-800-443-5117.

Customer Service available 8:30 - 5:00 Central Time, Monday - Friday