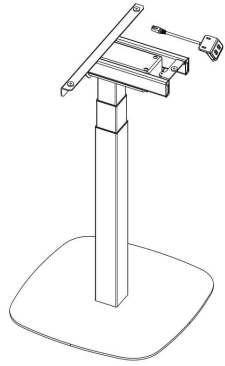


Y12894 - 96 & Y12904 Assembly Instructions

Questions? Call Customer Service at 1-800-443-5117, Monday - Friday 8:30 AM to 5:00 PM Central Time
www.modernofficefurniture.com



Technical data

Column Stage	3
Max. Weight Capacity	80KG
Height Range	580-1230mm
Width Range	38mm/s

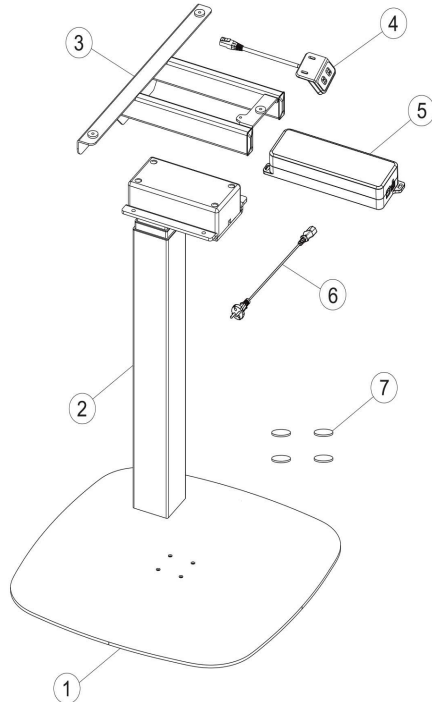
Accessory list

Attention: The drawings below are for guidance only and they may differ slightly from the product and fittings received. Please contact our customer service department should you have any queries.

No.	Image	Spec	Qty
A		M6	4
B		M6	4
C		St4.2	7
D		Cable Tie	4
E		St4.2	4
F		Allen Key 4x4mm	1

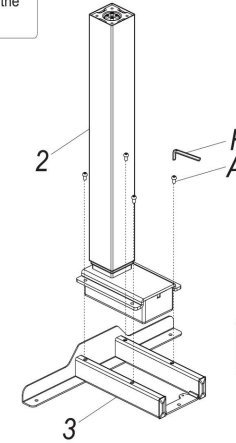
Component list

No.	Part	Qty	No.	Part	Qty
①	Foot	1	②	Lifting Column	1
No.	Part	Qty	No.	Part	Qty
③	Supporting Beam	1	④	Hand Switch (Option)	1
No.	Part	Qty	No.	Part	Qty
⑤	Control Box	1	⑥	Power Plug	1
No.	Part	Qty			
⑦	EVA pad	4			



STEP 1

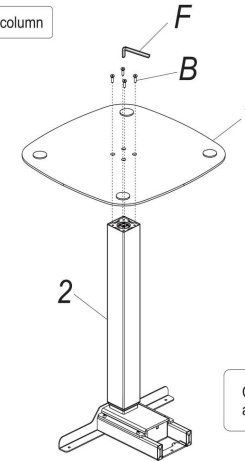
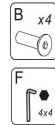
Install the Leg and the Supporting Beam



Connect the leg (2) and the supporting beam (3) with screw A, and then tighten them with 4x4 Allen Key (F).

STEP 2

Install the lifting column



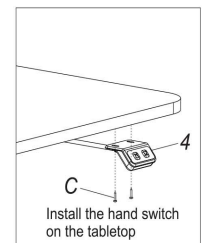
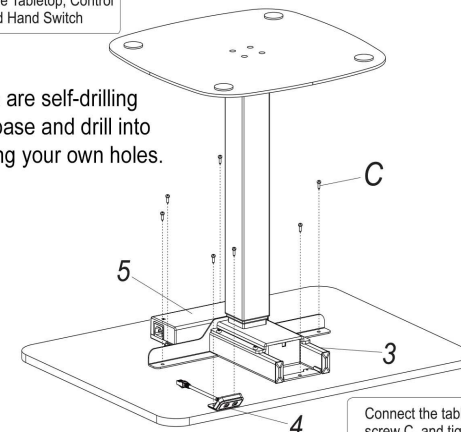
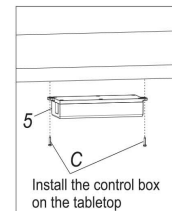
Connect the foot (1) and the lifting column (2) with the screw B, and tighten them with the 4x4 Allen Key (F).

STEP 3

Install the Tabletop, Control Box, and Hand Switch



Wood Screws are self-drilling
Center top on base and drill into underside, making your own holes.



Connect the tabletop and the supporting beam (3) with the screw C, and tighten them with a pistol drill.