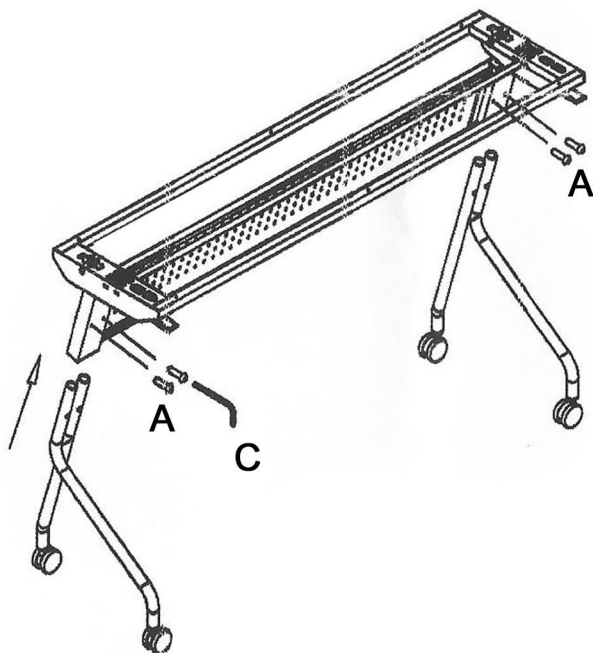


# Flip Top Training Table Assembly Instructions

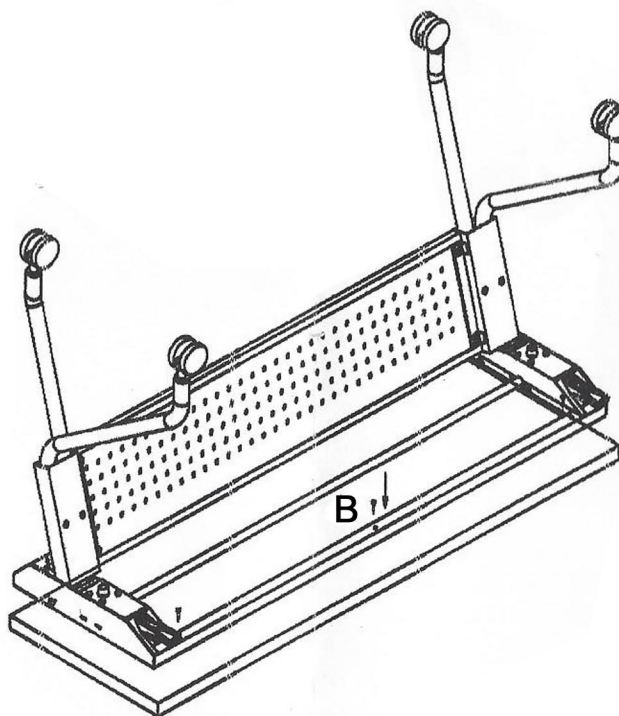


## Tools Needed:

-Power Screwdriver (for Table Top Connection)

## Base Assembly:

Attach legs to flip mechanism using (A) Bolts provided. Use the (C) Allen Wrench to screw in the bolts.

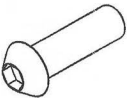




## Table Top Connection:

The laminate table tops are multi-purpose tops used with different desk and table set ups. You may see threaded inserts on the underside of the table top. You will not use those holes.

To attach the table top to the base, use the self threading wood screws included.

Self-threading wood screws allow positioning of table top on base for your specific table configuration (back-to-back, in-line, etc.) Screws fasten directly into underside of tops for a firm and solid connection.

M6x20	4pcs
	<b>A</b> Leg Bolt
Wood Screws	16 pcs
	<b>B</b>
Allen Wrench	
	<b>C</b>