



MODERN
OFFICE



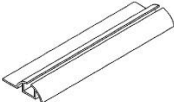


Sliding Door Assembly Instructions



Important:

Please note the door mounts to interior of cube. Door is in open position when entering cube. Door finger flange faces interior of cube so after entering user is able to grasp and slide closed.

Parts List:

A: Door (Qty 1)	
B: Top Rail (Qty 1)	
C: Floor Rail (Qty 1)	
D: Floor Insert/Screw Set	
E: 3/4" Self-Tapping Metal Screw	

Questions? Call 1-800-443-5117
Monday-Friday, Central Time.
CustomerSvc@ModernOfficeFurniture.com

Step-1

Determine if door will be sliding to left or right of opening. Track can overlap door passage by approximately 3"-6".

Centerline of track should be positioned 1-1/4" inside of panels. Door is 39-1/2" wide so it can overlap a 36" opening.

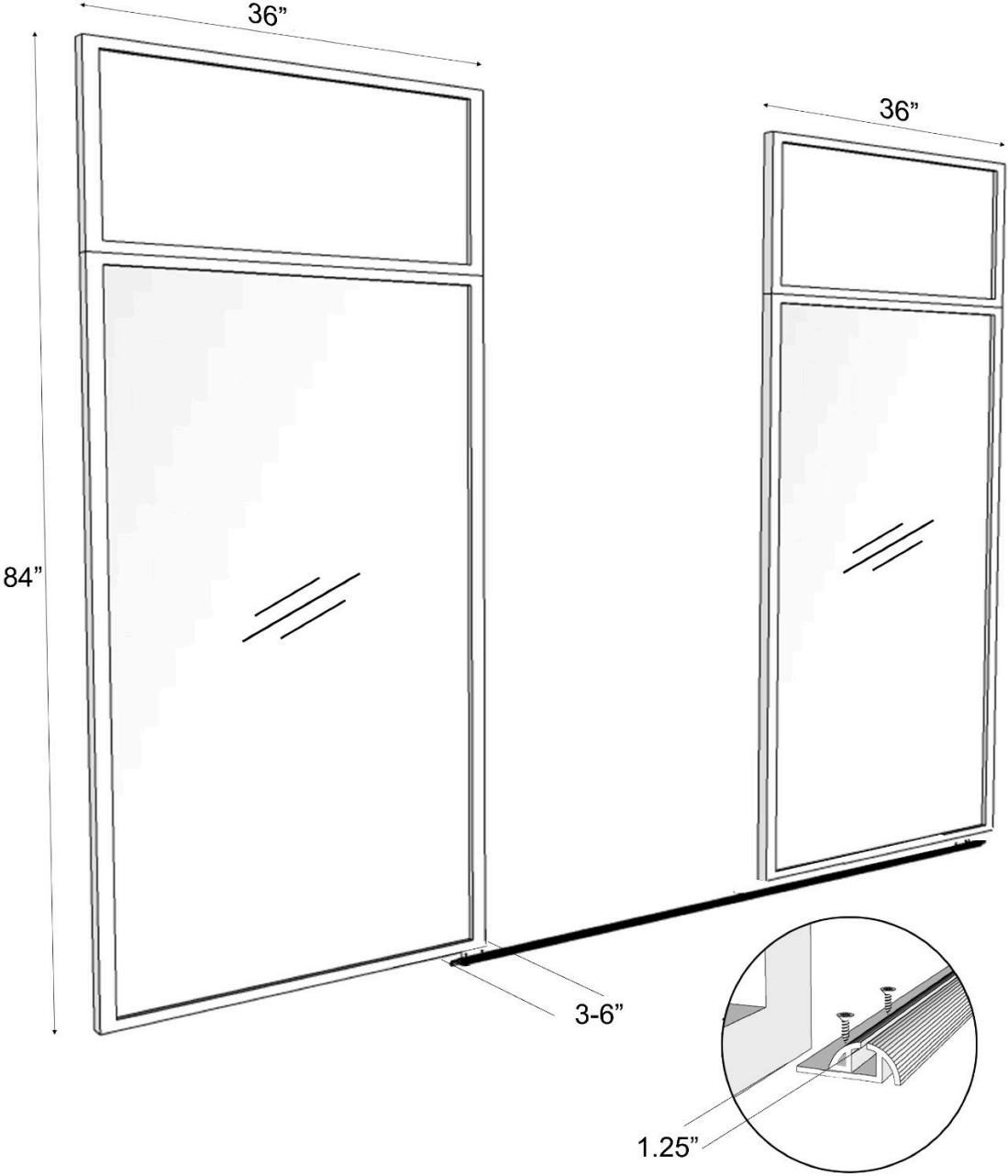
There are two methods for mounting bottom track (Floor Rail).

Method 1: This method can be used for most applications on either hard or carpeted floors. Remove backing of 2-sided tape on underside of rail and carefully adhere to floor in predetermined position. Weight of sliding glass door will help in adhering tape over time.

Method 2: This method should be used for higher traffic uses. Use floor anchors and screws provided for a more permanent connection. Holes will need to be drilled in floor as well as along flat strip of Floor Rail.

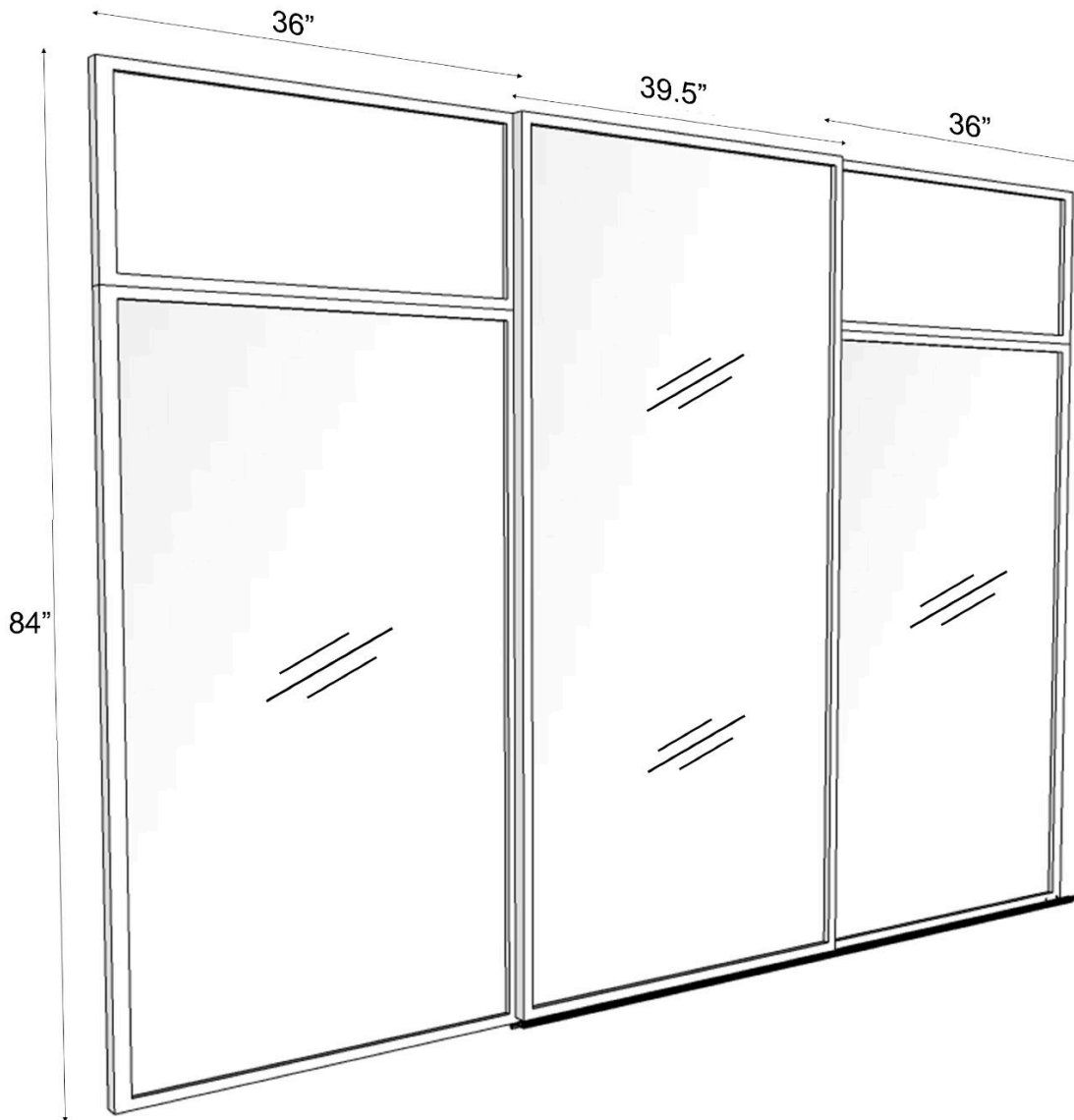
Step-1

Mounting Floor Rail



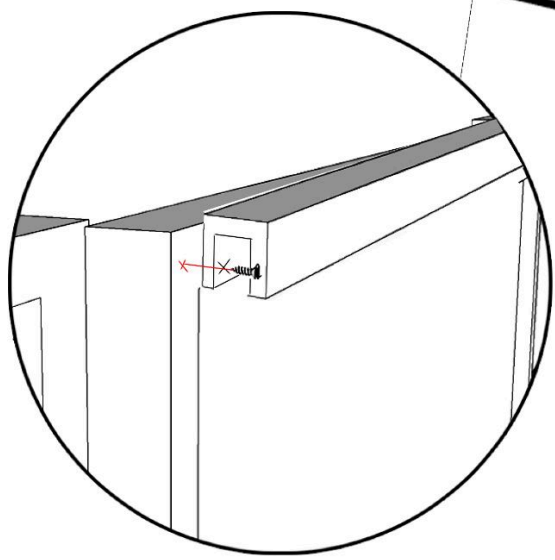
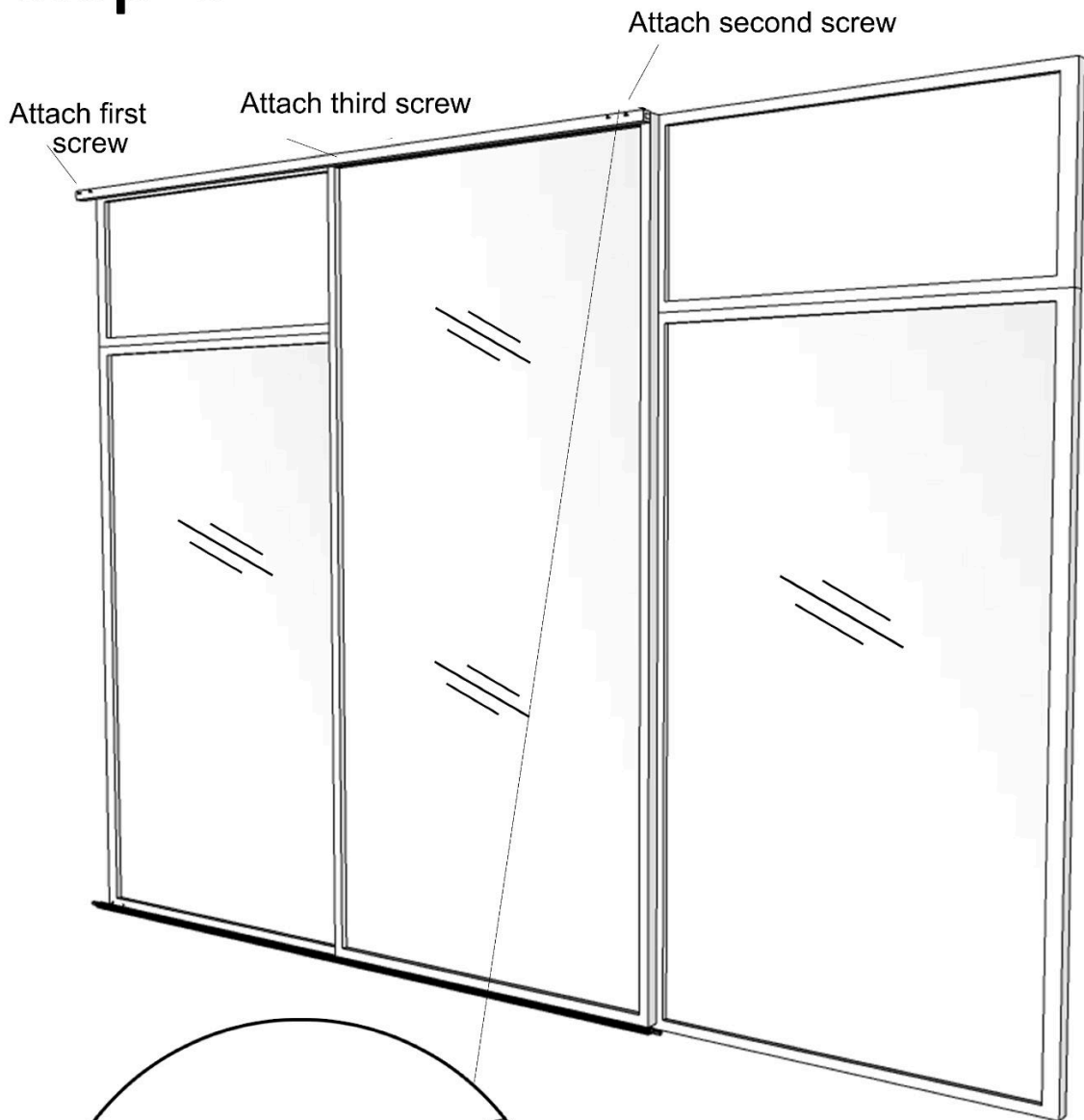
Step-2

Positioning Door & Mounting Top Rail



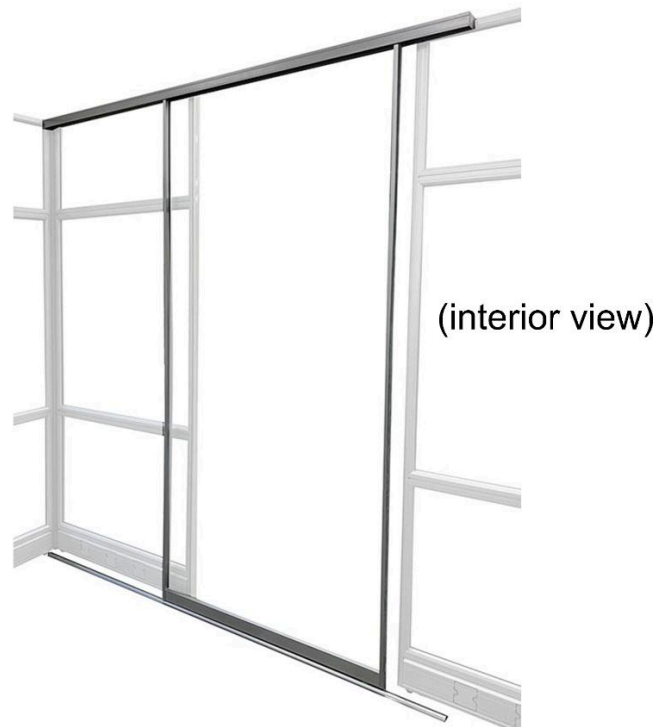
The next steps will require two people to safely complete – one person to hold door in position while the other mounts Top Rail. First, align bottom wheels of glass door into track of Floor Rail. Roll door to left or right to reveal passageway. Place Top Rail over glass door and align with Floor Rail directly below.

Step-3



Step-3

The Top Rail will be used to hold the Glass Door in position and will screw directly to the left and right hand panels. Top Rail has a hole in each end but not in the middle. Self-drilling screws will be used to drill directly into the 36" wide metal panel frame. Begin with the first screw which is the furthest from the door opening. Once this screw is installed the Top Rail can cantilever slightly on top of the Glass Door in order to align the second screw. Last, slide door out of the way and screw in the third self-drilling screw.



Questions? Call 1-800-443-5117
Monday-Friday, Central Time.
CustomerSvc@ModernOfficeFurniture.com

