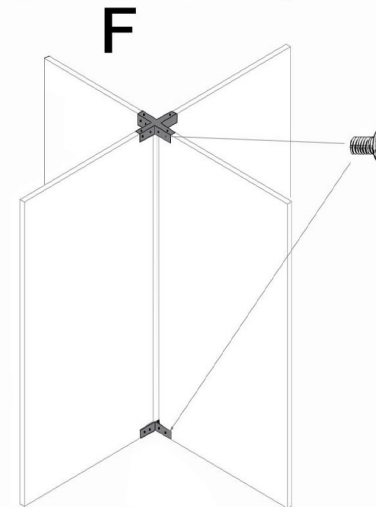
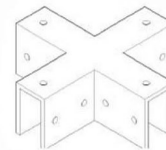
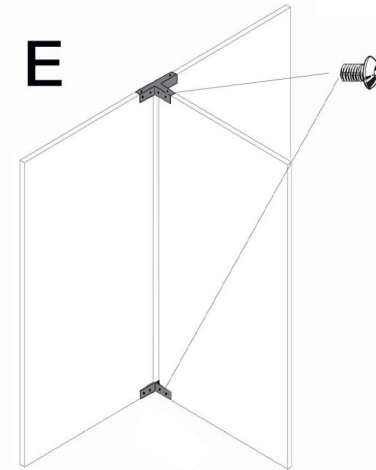
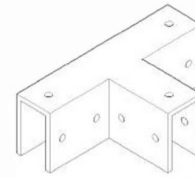
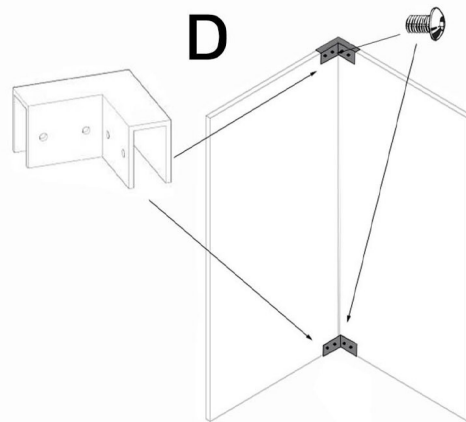
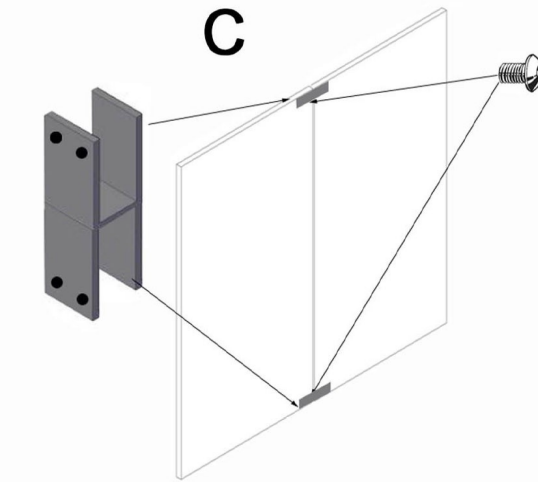


# SneezeGuard Bracket Installation Guide



A - Slide panel into both feet. Use screws to secure.

B - Slide panel into both clips. Use screws to secure.

C - In-Line Panel Connection: Attach 2 H-Brackets between 2 panels, one on the top and one on the bottom. Attach with 4 screws per bracket.

D - L-Panel Connection: Attach L-Shaped Bracket between 2 panels, one on the top and one on the bottom. Attach with 4 screws per bracket.

E - 3-Way Connection: Attach T-Shaped Bracket between 3 panels, one on the top and one on the bottom. Attach with 6 screws per bracket.

F - 4-Way Connection: Attach T-Shaped Bracket between 4 panels, one on the top and one on the bottom. Attach with 8 screws per bracket.

Questions? Please call 1-800-443-5117.

Customer Service available 8:30 - 5:00 Central Time, Monday - Friday