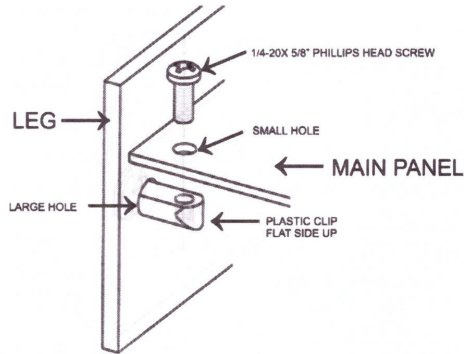
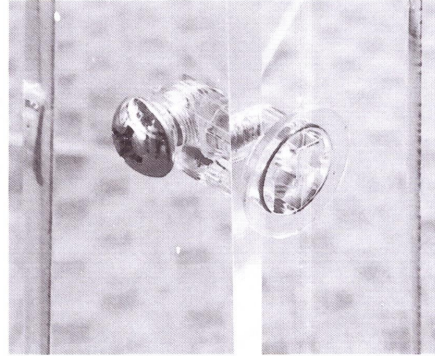


## Assembly Instructions for CDD-333-SVCB Counter Barriers



(IMAGE 1)



(IMAGE 2)

1. USING RUBBER GLOVES TO PREVENT FINGERPRINTS, PEEL FILM MASKING FROM ALL PARTS.
2. PLACE MAIN PANEL ON A FLAT SURFACE WITH HOLES JUST OFF THE EDGE.
3. POSITION THE LEG AS SHOWN IN IMAGE 1.
4. PUT PLASTIC CLIP IN LARGE HOLE OF LEG. LINE FLAT SIDE OF CLIP UP WITH SURFACE OF MAIN PANEL.
5. LINE CLIP HOLE UP WITH SMALL HOLE IN MAIN PANEL.
6. USING A PHILLIPS HEAD SCREW DRIVER, PUT SCREW THROUGH SMALL HOLE AND INTO CLIP.
7. TURN SCREW INTO CLIP IN A CLOCKWISE DIRECTION. **DO NOT OVER TIGHTEN!** SHOULD LOOK LIKE IMAGE 2 WHEN COMPLETE.
8. ASSEMBLE THE REMAINING CLIPS ONTO THE COUNTER BARRIER USING STEPS 4 THROUGH 7
9. STAND BARRIER UP ONTO THE LEGS.

**CLEAN WITH A FEW DROPS ONLY OF LIQUID DETERGENT IN WARM WATER.**

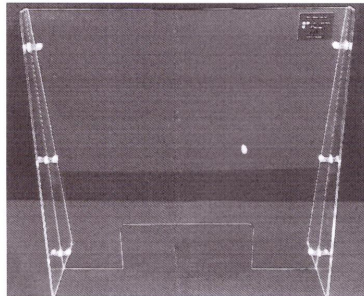
**USE A CLEAN DAMP SOFT CLOTH TO APPLY THE SOLUTION.**

**RINSE WITH WARM, CLEAN WATER USING A CLEAN DAMP SOFT CLOTH.**

**ALLOW THE COUNTER BARRIER TO AIR DRY.**

**NEVER USE AN ABRASIVE CLEANER SUCH AS SOFTSCRUB® ON THE BARRIER, AS THIS WILL RESULT IN THE BARRIER BECOMING HAZED, AND SCRATCHED.**

**NEVER USE CLEANERS THAT CONTAIN HARSH CHEMICALS SUCH AS ACETONE OR ALCOHOL**



**SHOULD LOOK LIKE THIS WHEN COMPLETE**