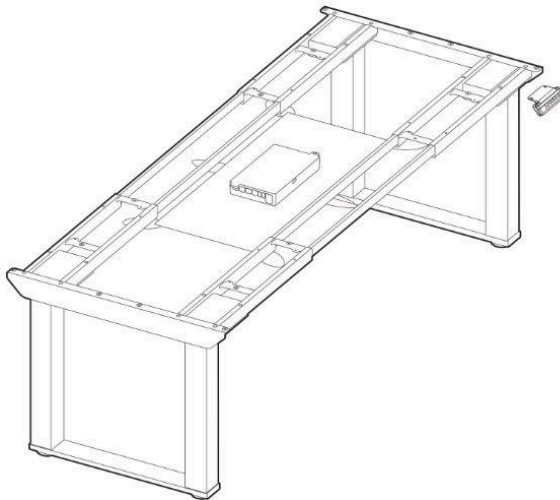


Sophisticate  
 Elec. Lift Frame  
 Assembly Instructions



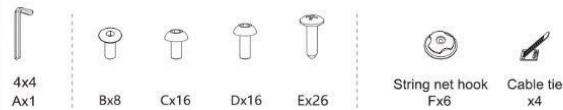
**Technical Data**

Max. Load Capacity	300KG(661lbs)
Max. Speed	38mm/s(1.5"/s)
Lowest Position	655mm(25.8")
Highest Position	1305mm(51.4")
Width Range	1100mm-1900mm(43.3"-74.8")
Applicable Desktop Size	Length: 1800mm-2400mm(70.9"-94.5")
	Width: 800mm-900mm(31.5"-35.4")
	Thickness: >18mm(0.71")

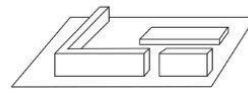
**Product List**

**Accessory List**

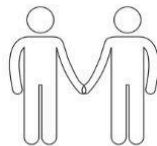
Attention: The drawings below are for guidance only and they may differ slightly from the product and fittings received. Please contact customer service if there are any missing tools or installation problems.



**Preparation before installation**



Install on carpet to prevent scratches.



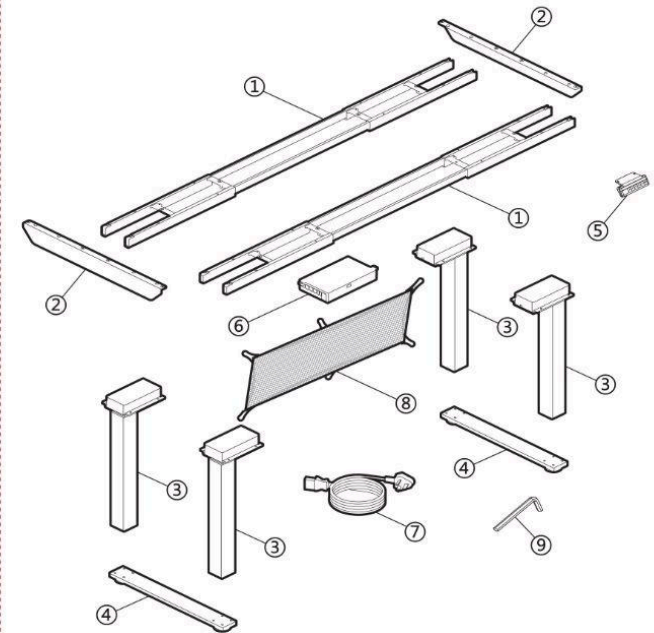
Need two or more people to cooperate together.

**Part List**

No.	Part
①	Supporting beam x2
②	Side bracket x2
③	Lifting column x4
④	Pedestal x 2
⑤	Handset x 1

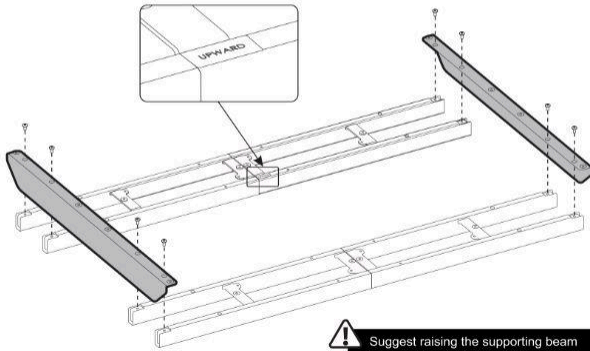
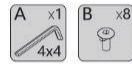
No.	Part
⑥	Control box x1
⑦	Cables x 1
⑧	Cable management net x1
⑨	Allen key x 1

**Installation Instruction**



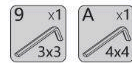
## Installation Steps

### STEP 1 Attach the side brackets to the beam

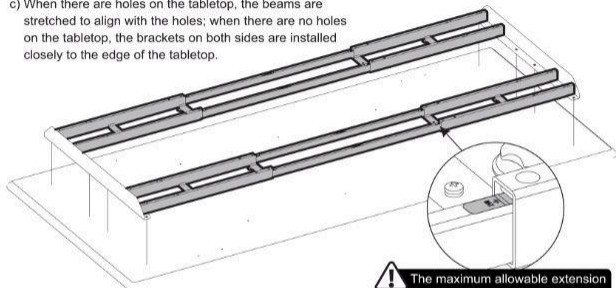


⚠ Suggest raising the supporting beam for easier installation of side brackets.

### STEP 2 Adjust the supporting beam



- Turn over the supporting beam.
- Loosen the eight screws of the beam and stretch the frame, adjusting the beam to the suitable position.
- When there are holes on the tabletop, the beams are stretched to align with the holes; when there are no holes on the tabletop, the brackets on both sides are installed closely to the edge of the tabletop.



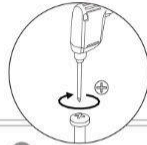
⚠ The maximum allowable extension should not exceed the MAX label.

⚠ When adjusting the beam, please ensure that the MIDDLE LINE label remains in the centered position.

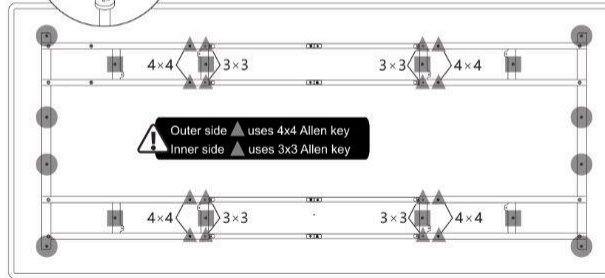
### STEP 3 Install the tabletop



Self-prepared

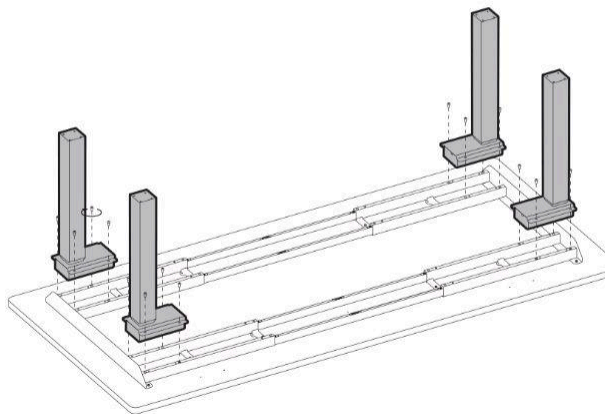
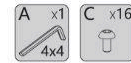


Fix the screws in the sequence of: ● - ■ - ▲

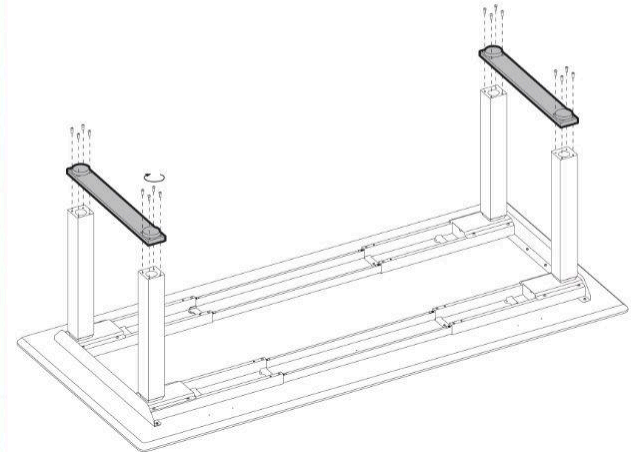
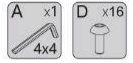


Note: You are piloting your own holes with the self-drilling screws provided. Disregard metal inserts as those do not apply to this series.

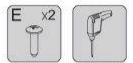
### STEP 4 Install the lifting columns



### STEP 5 Attach the pedestals



### STEP 6 Install the handset



Self-prepared

⚠ Choose either of the two installation methods.

