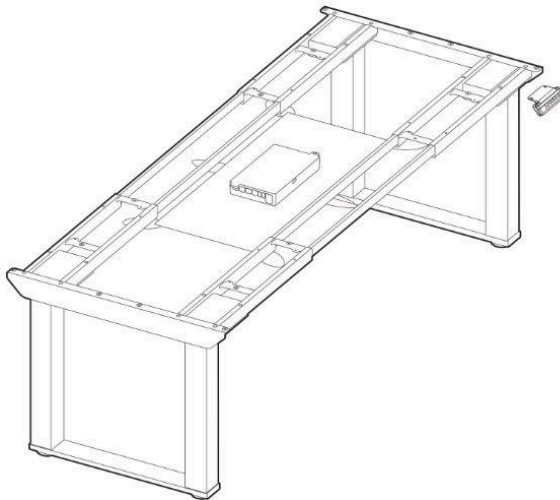


Sophisticate  
 Elec. Lift Frame  
 Assembly Instructions



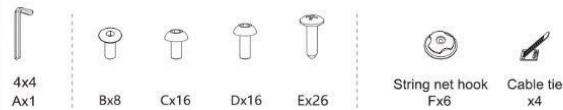
**Technical Data**

Max. Load Capacity	300KG(661lbs)
Max. Speed	38mm/s(1.5"/s)
Lowest Position	655mm(25.8")
Highest Position	1305mm(51.4")
Width Range	1100mm-1900mm(43.3"-74.8")
Applicable Desktop Size	Length: 1800mm-2400mm(70.9"-94.5")
	Width: 800mm-900mm(31.5"-35.4")
	Thickness: >18mm(0.71")

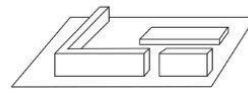
**Product List**

**Accessory List**

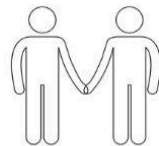
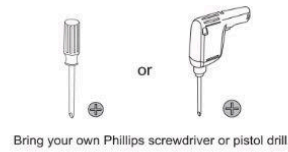
Attention: The drawings below are for guidance only and they may differ slightly from the product and fittings received. Please contact customer service if there are any missing tools or installation problems.



**Preparation before installation**



Install on carpet to prevent scratches.



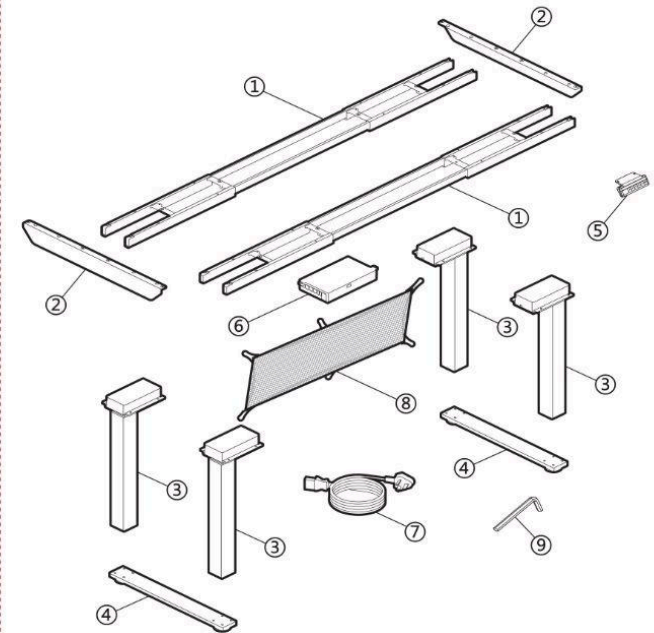
Need two or more people to cooperate together.

**Part List**

No.	Part
①	Supporting beam x2
②	Side bracket x2
③	Lifting column x4
④	Pedestal x 2
⑤	Handset x 1

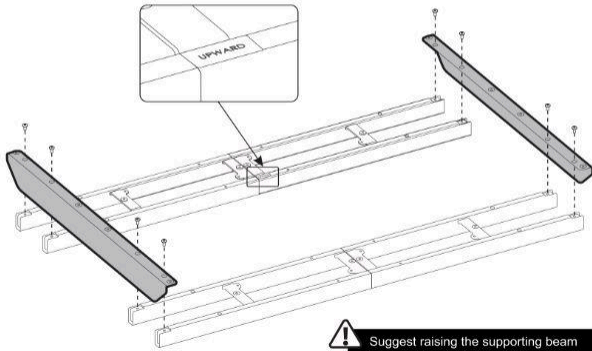
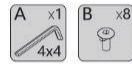
No.	Part
⑥	Control box x1
⑦	Cables x 1
⑧	Cable management net x1
⑨	Allen key x 1

**Installation Instruction**



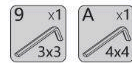
## Installation Steps

### STEP 1 Attach the side brackets to the beam

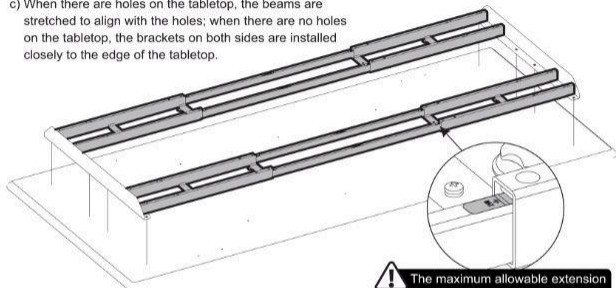


⚠ Suggest raising the supporting beam for easier installation of side brackets.

### STEP 2 Adjust the supporting beam



- Turn over the supporting beam.
- Loosen the eight screws of the beam and stretch the frame, adjusting the beam to the suitable position.
- When there are holes on the tabletop, the beams are stretched to align with the holes; when there are no holes on the tabletop, the brackets on both sides are installed closely to the edge of the tabletop.



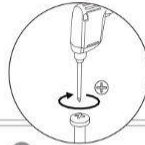
⚠ The maximum allowable extension should not exceed the MAX label.

⚠ When adjusting the beam, please ensure that the MIDDLE LINE label remains in the centered position.

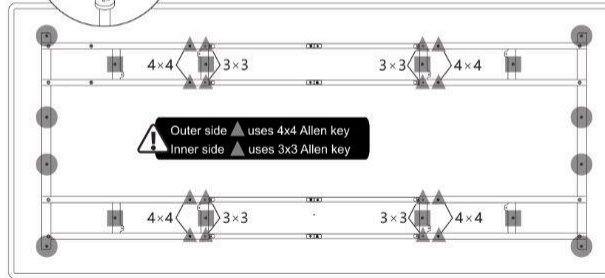
### STEP 3 Install the tabletop



Self-prepared



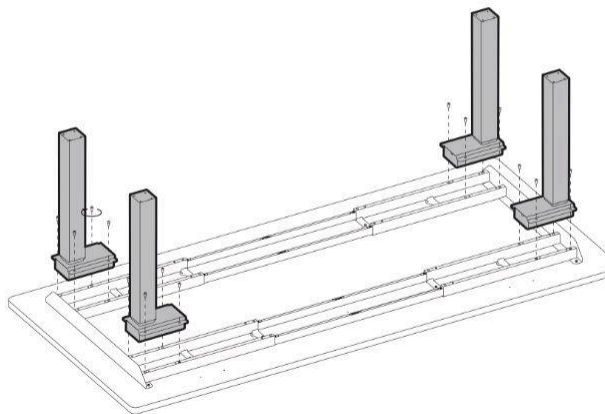
Fix the screws in the sequence of: ● - ■ - ▲



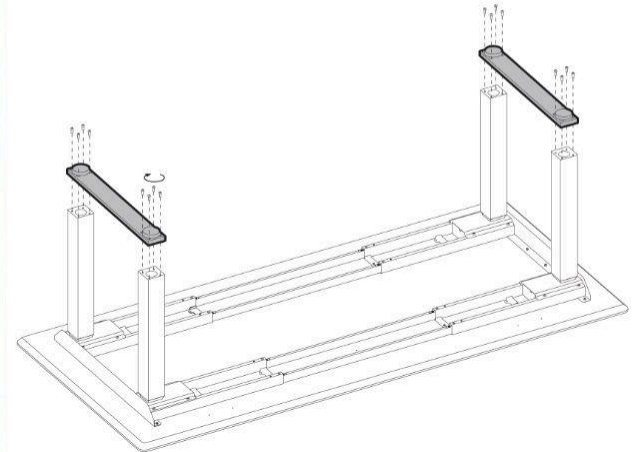
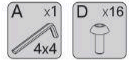
⚠ Outer side ▲ uses 4x4 Allen key  
Inner side ■ uses 3x3 Allen key

Note: You are piloting your own holes with the self-drilling screws provided. Disregard metal inserts as those do not apply to this series.

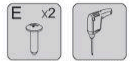
### STEP 4 Install the lifting columns



### STEP 5 Attach the pedestals

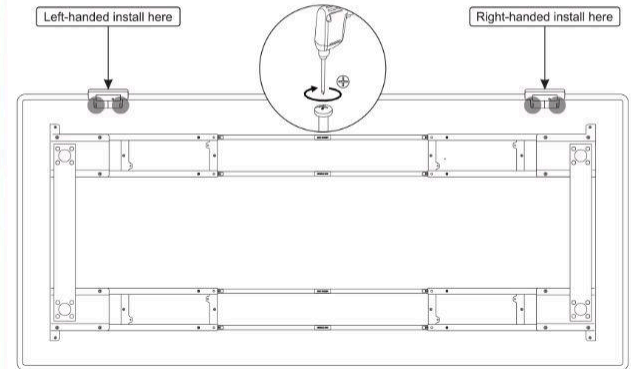


### STEP 6 Install the handset



Self-prepared

⚠ Choose either of the two installation methods.

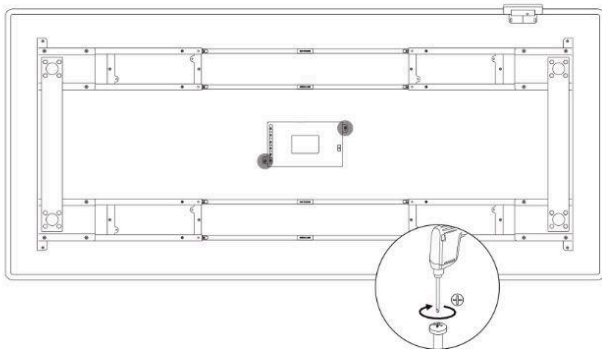


**STEP7**

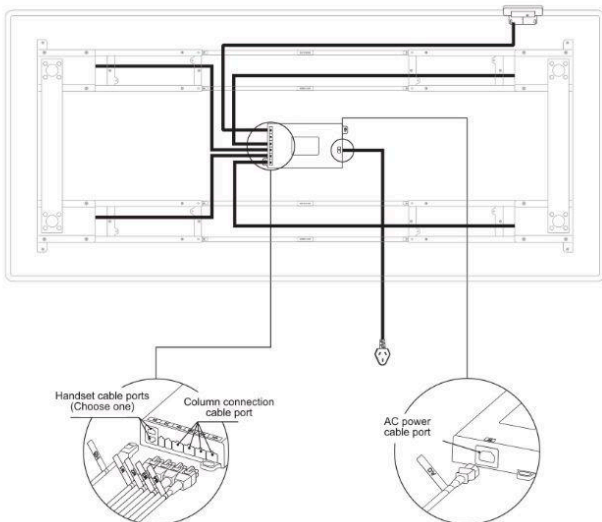
Install the control box



Self-prepared

**STEP8**

Connect the wires

**STEP9**

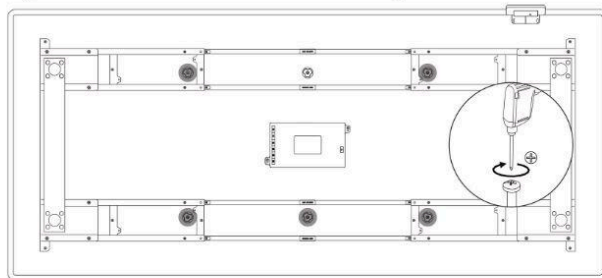
Install the cable management net hook



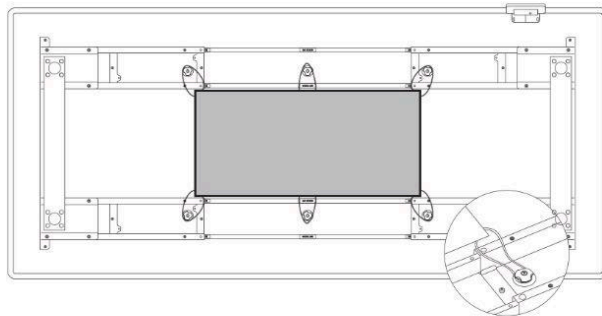
Self-prepared



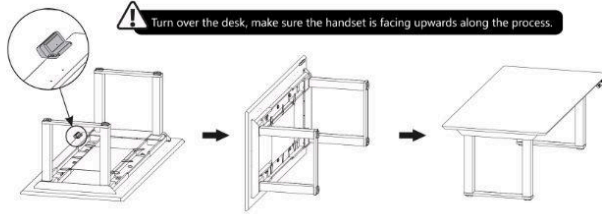
When there are holes on the tabletop, the position of the cable management net hooks will be determined according to the hole positions. When there are no holes on the tabletop, the position of the hooks can be determined by laying the cable management net flat.

**STEP10**

Install the cable management net



Turn over the desk, make sure the handset is facing upwards along the process.

**Common fault treatment**

The following tips will help you detected and eliminate the common fault and error. If the fault you met is not listed below, please contact with your supplier. Only the manufacturer and professionals are capable for investigating and correcting those fault and error.

Problem	Method
The desktop could not function	Check if all the cables well connected
Rising in a low speed	Check if overloaded, max loading: 300kg(661lbs)
The desk moving downwards without any operation	
Automatically Self-Reset	Reset
Go down but not go up or go up but not go down	
The upper and downward height is not enough	
The desk could not lifted	Restart after suspend for 18mins while connecting with power
Overwork (Duty cycle: Max 2min on/18min OFF)	
The power module cannot be used	Please reset or raise/lower the table, then wait for 1 second before using it
Press "▼"button while desk rises	Check whether there are barriers beneath the table or cables are entwined with other things

**Attention**

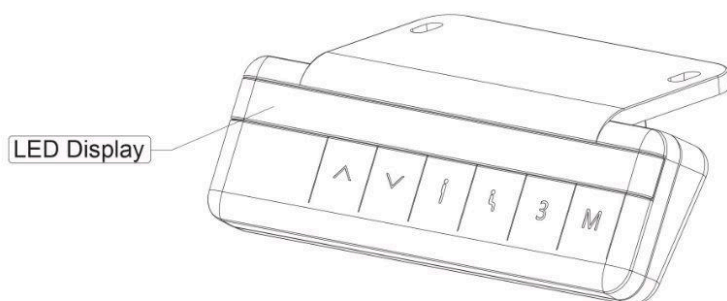
- 1.Power supply: AC100V-240V, frequency 50/60Hz.
- 2.Operating environment: Indoor, 0-40℃.
- 3.Before cleaning, make sure to unplug the power cord. Use a slightly damp cloth to wipe away surface dust, taking care not to let water drip into the internal components or damage the connection wires. Regularly check if screws are loose and tighten them if necessary.
- 4.The electrical box contains electronic components, metals, plastics, wires, etc. Dispose of it according to the environmental regulations of your country, not as regular household waste.
- 5.Before using the product, carefully inspect and ensure that it has been correctly installed. Use only the accessories provided by the manufacturer for installation. Leave adequate safety clearance when placing the product to avoid pinch hazards.
- 6.Before first use, familiarize yourself with all the functions and program settings of the product.
7. Children are not allowed to play on this product. Certain unpredictable behaviors may result from children playing on the product, and the manufacturer will not be responsible for any resulting accidents.

**Waste disposal**

This marking indicates that this product should not be disposed with other household wastes. To prevent possible harm to the environment or human health from uncontrolled waste disposal, recycle it responsibly to promote the sustainable reuse of material resources. To return your used device, please use the return and collection systems or contact the retailer where the product was purchased. They can take this product for environmental safe recycling.

## Operation Instruction

### 1. Product Outline



### 2. Product Specification

Button introduction: There are 6 buttons that "▲", "▼", "1", "2", "3", "M"

- (1) "▲" : Up button, used to adjust the height of the desk to move upward.
- (2) "▼" : Down button, used to adjust the height of the desk to move downward.
- (3) "1" : Position 1, the user's saved first height position.
- (4) "2" : Position 2, the second height user save.
- (5) "3" : Position 3, the user's saved third height position.
- (6) "M" : Save button, used to save the height position.

### 3: Operating Instructions

#### ● Height Adjustable Function:

By pressing the "▲" or "▼" button, you can adjust the height of the lifting table up or down, and the current height will be displayed on the screen.

#### ● Height-saving Function :

a. Use the up or down key to adjust the height of the lifting desk to the desired level, press the "M" save button, the display screen will show "5-"; then press the "1" or "2" or "3" key to save the height to position 1 or 2 or 3, and the corresponding display screen will show "5-1" or "5-2" or "5-3".

b. To automatically adjust the desk to a previously saved position, simply press the "1", "2", or "3" button.

#### ● Adjusting Collision Sensitivity (Optional) :

a. By simultaneously holding down the "▲" and "▼" keys for 5 seconds, you can switch the sensitivity. One operation will switch to the next level, divided into 4 levels (A-3, A-2, A-1, A-0).

b. The display shows "A-0" means the anti-collision function is turned off; the display shows "A-1" means low sensitivity; the display shows "A-2" means medium sensitivity; the display shows "A-3" means high sensitivity.

c. When the desk rises or falls, it will rebound immediately when encountering obstacles to prevent damage.

d. If the display screen does not show any of the above codes when simultaneously holding down the "▲" and "▼" keys for 5 seconds, it means that there is no collision prevention function.

#### ● Code Processing:

a. The LED display screen shows either "E01" or "E02". The user can long-press the down arrow "▼" key to make the desk run to the lowest or highest position, and then it will bounce back until it stops. At this point, the display screen will show the height number of the desk. The user simply needs to release the down arrow "▼" key to complete the reset operation.

b. If the display shows "E01" or "E02", please allow the table to rest for at least 18 minutes before using it again.

c. If there are other error codes and pressing the "▼" downward key does not respond, please check that the connecting cable is not damaged and properly connected. Disconnect the power for at least 10 seconds, then reconnect it. The screen will display either "E01" or "E02". Press and hold the "▼" downward key to reset.

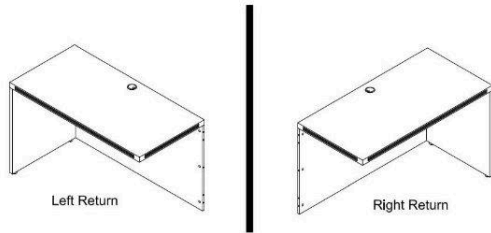
d. If the desk still does not function properly after performing the above steps, please contact customer service for assistance.

#### Waste disposal




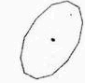









This marking indicates that this product should not be disposed with other household wastes. To prevent possible harm to the environment or human health from uncontrolled waste disposal, recycle it responsibly to promote the sustainable reuse of material resources. To return your used device, please use the return and collection systems or contact the retailer where the product was purchased. They can take this product for environmental safe recycling.

# Reversible Desk Return Assembly Instructions



**Applies to:**  
BK/CH/FL/MJ/ML/WH2045

### List of Hardware:

Part	Part	Part
 Wood Dowel	 Shallow Cover	 Worksurface Bracket
 Cam Pin	 Deep Cover	 Side Panel Brackets (2)
 Cam Lock	 Grommet	 M6 Screw
 Wood Screw		 Leveling Glide

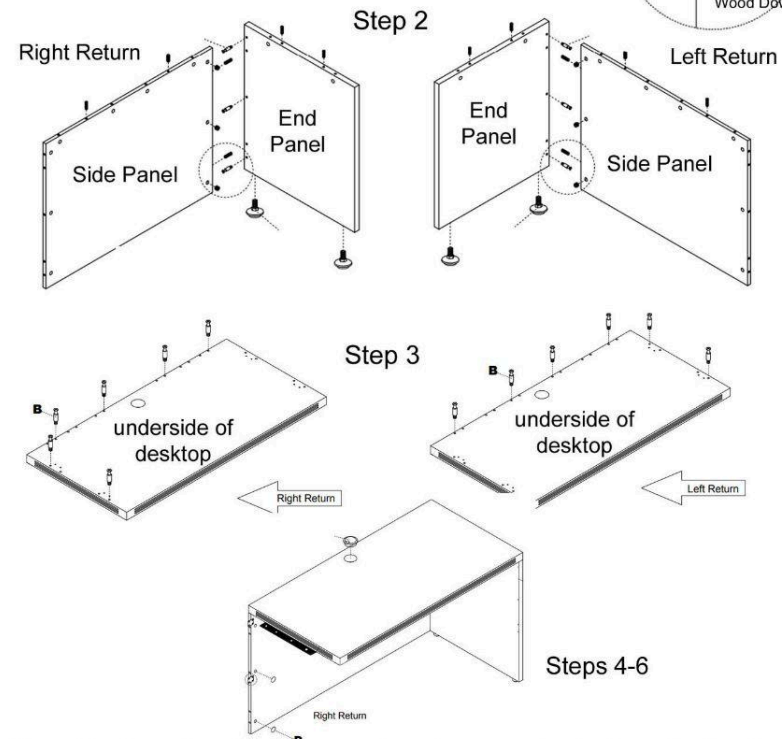
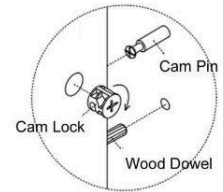
### Tools Needed:

- Phillips Screwdriver
- Power Screwdriver
- A Helper

- 1.) Assemble on carpet or cardboard to protect parts during assembly. Assembly will require 2 people for safety.
- 2.) Determine if the return will be left or right handed (see diagram next page). Locate Side Panel & End Panel and arrange like shown in drawing. Insert leveling glides, then insert all cam pins, cam locks and wood dowels. Then connect the panels by inserting the dowels into the holes on opposite panel and inserting cam pins into cam locks (see diagram). Then, twist the cam locks with a Phillips Screwdriver to secure connection.
- 3.) Next, locate the Desktop and insert hardware. Then, set the desktop on the lower assembly and twist cams to securely connect.

### Special Note:

Location & number of cam pin, cam lock and dowel holes may vary.

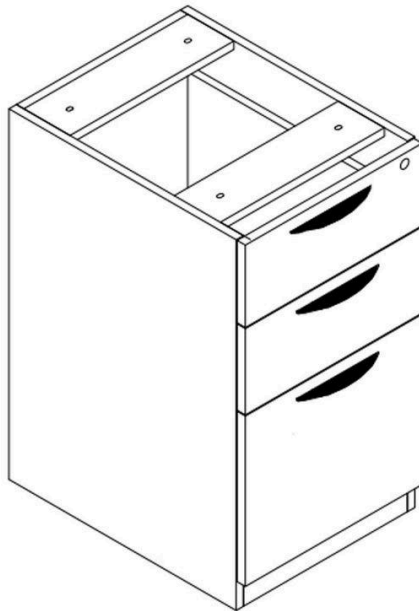


- 4.) Now it's time to attach the return to your desk. Locate the large flat bracket and M6 machine screws (it may be attached to the desktop already. If not, center the bracket over the edge and install 4 of the screws). With a helper, have one person hold the return desk stable while the other screws the machine screws into the desk.
- 5.) Once installed & leveled, use the wood screws to install the offset side panel brackets. This will further secure the side panel, but is an optional step. A power screwdriver is helpful.
- 6.) Lastly, insert the grommet into the desktop and use the caps provided to cover the cam locks.




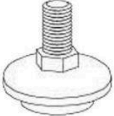
Questions? Please call 1-800-443-5117.  
Customer Service available 8:30 - 5:00 Central Time, Monday - Friday

## Box/Box/File Desk Pedestal Assembly Instructions

Applies towards:  
BK/CH/FL/MJ/ML/WH2066



### List of Hardware:

Part	Part
 4 Large Bolts	 3 Drawer Pulls with screws
 1 set of keys	 4 Leveling Glides

- 1.) Install 4 leveling glides.
- 2.) Use the screws to attach drawer pulls.
- 3.) To install under desk, remove the top box drawer (or top two box drawers) by locating the black tabs inside of the left & right drawer slides. Push down on one and push up on the other. This will release the drawer from the slides. Use 4 large bolts to connect to threaded holes on underside of desk. Once done, simply insert drawers back into the slides. They will snap in place.

Questions? Please call 1-800-443-5117.  
Customer Service available 8:30 - 5:00 Central Time, Monday - Friday