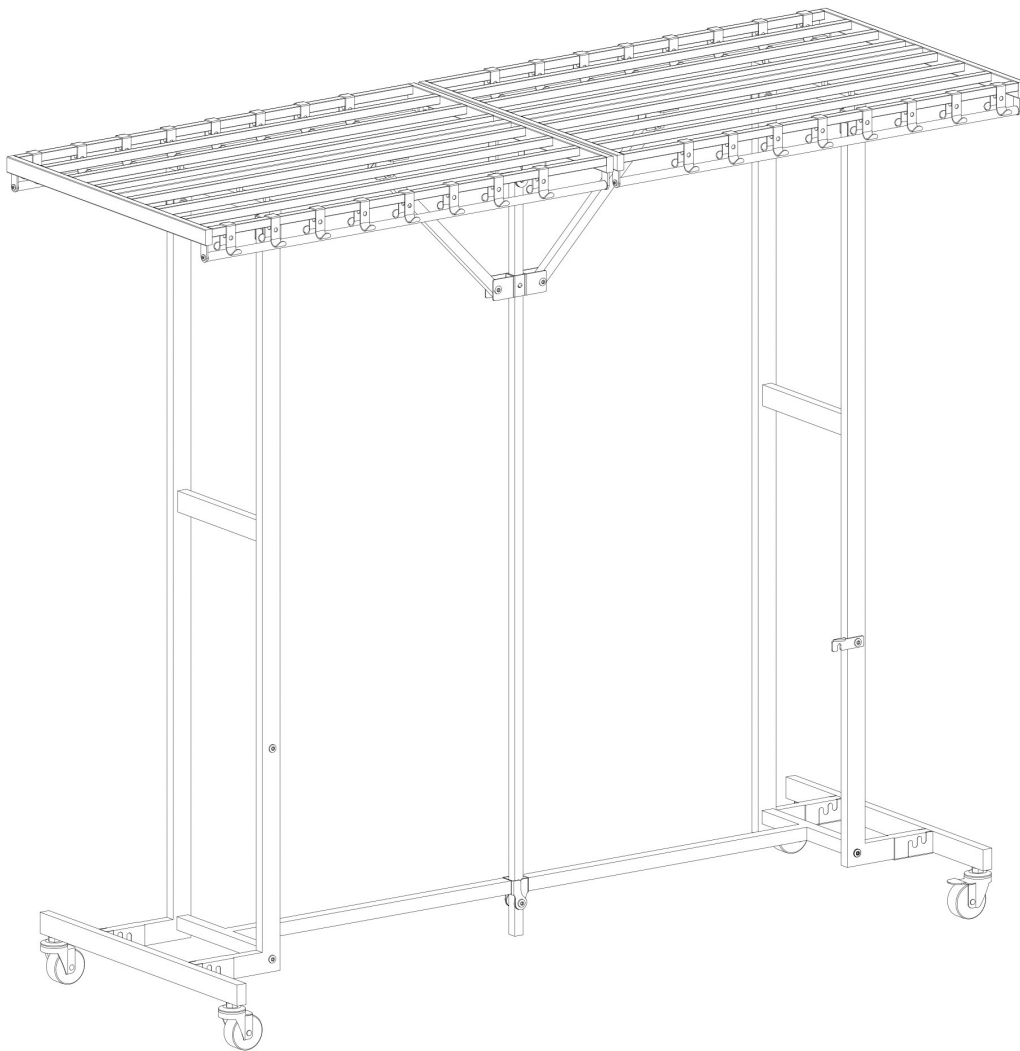


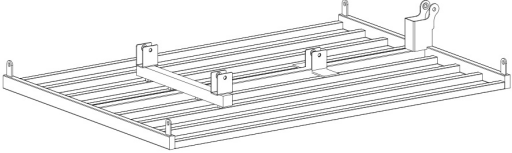
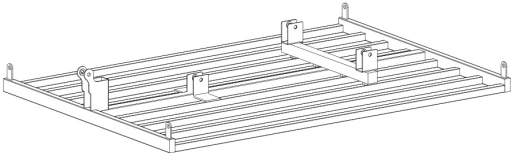
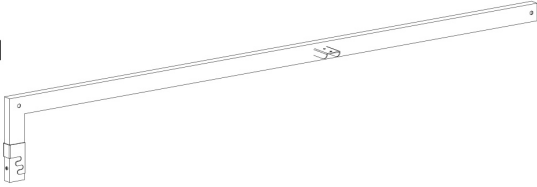
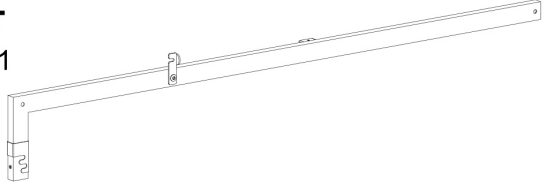
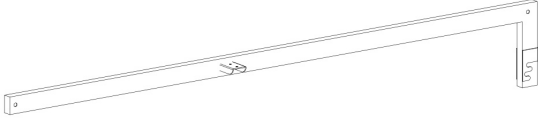
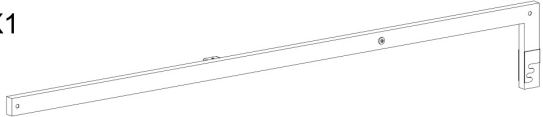
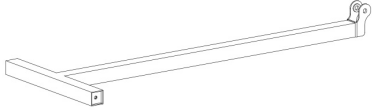
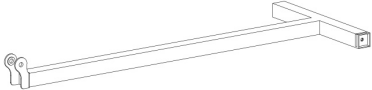
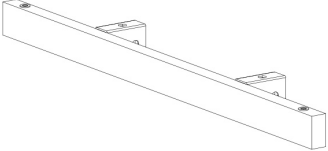


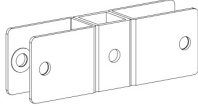

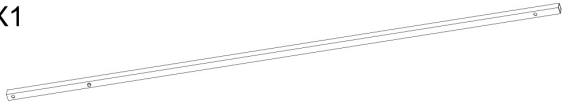


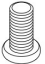
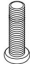
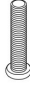







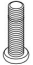
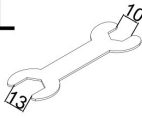


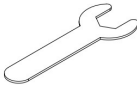



MODERN OFFICE

Toll Free: 1-800-443-5117 | ModernOfficeFurniture.com

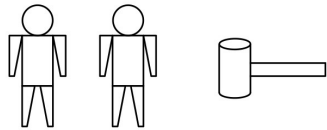
Y10758 Folding Coat Rack Assembly Instructions






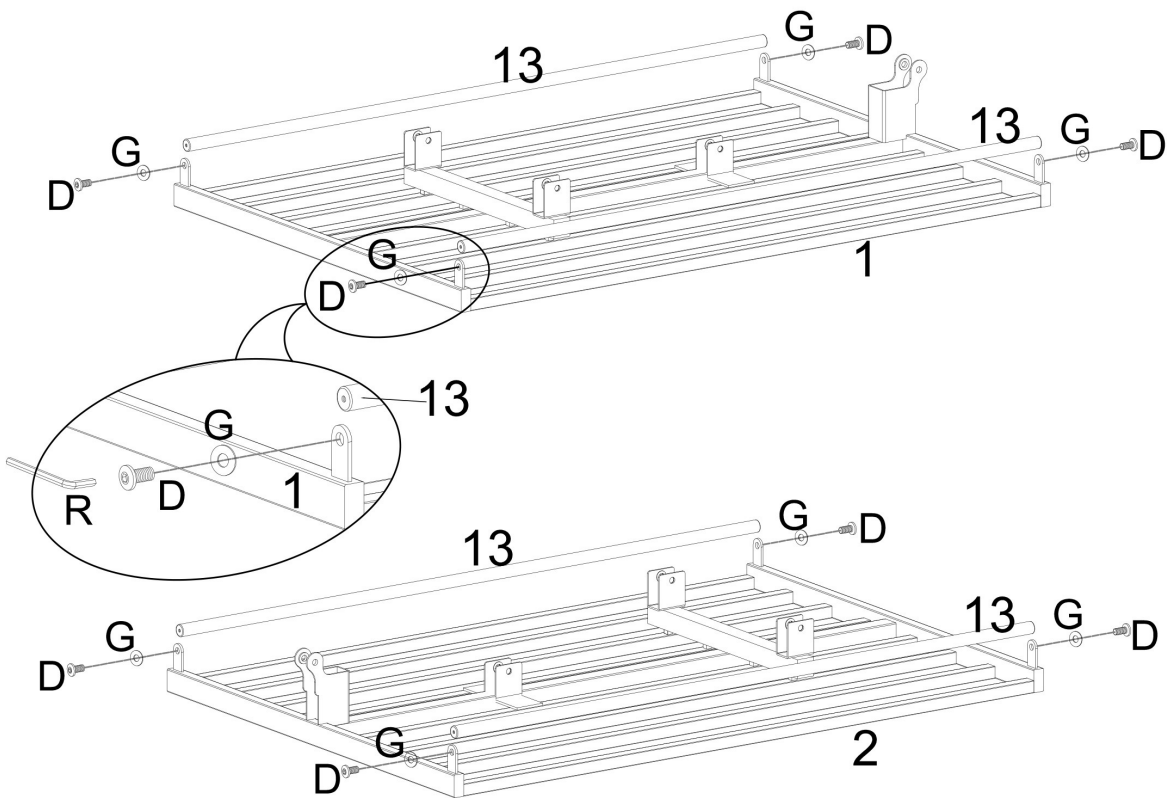
<p>1 X1</p> 	<p>2 X1</p> 
<p>3 X1</p> 	<p>4 X1</p> 
<p>5 X1</p> 	<p>6 X1</p> 
<p>7 X1</p> 	<p>8 X1</p> 
<p>9 X2</p> 	<p>10 X2</p> 
<p>11 X2</p> 	<p>12 X1</p> 
<p>13 X4</p> 	<p>14 X1</p> 

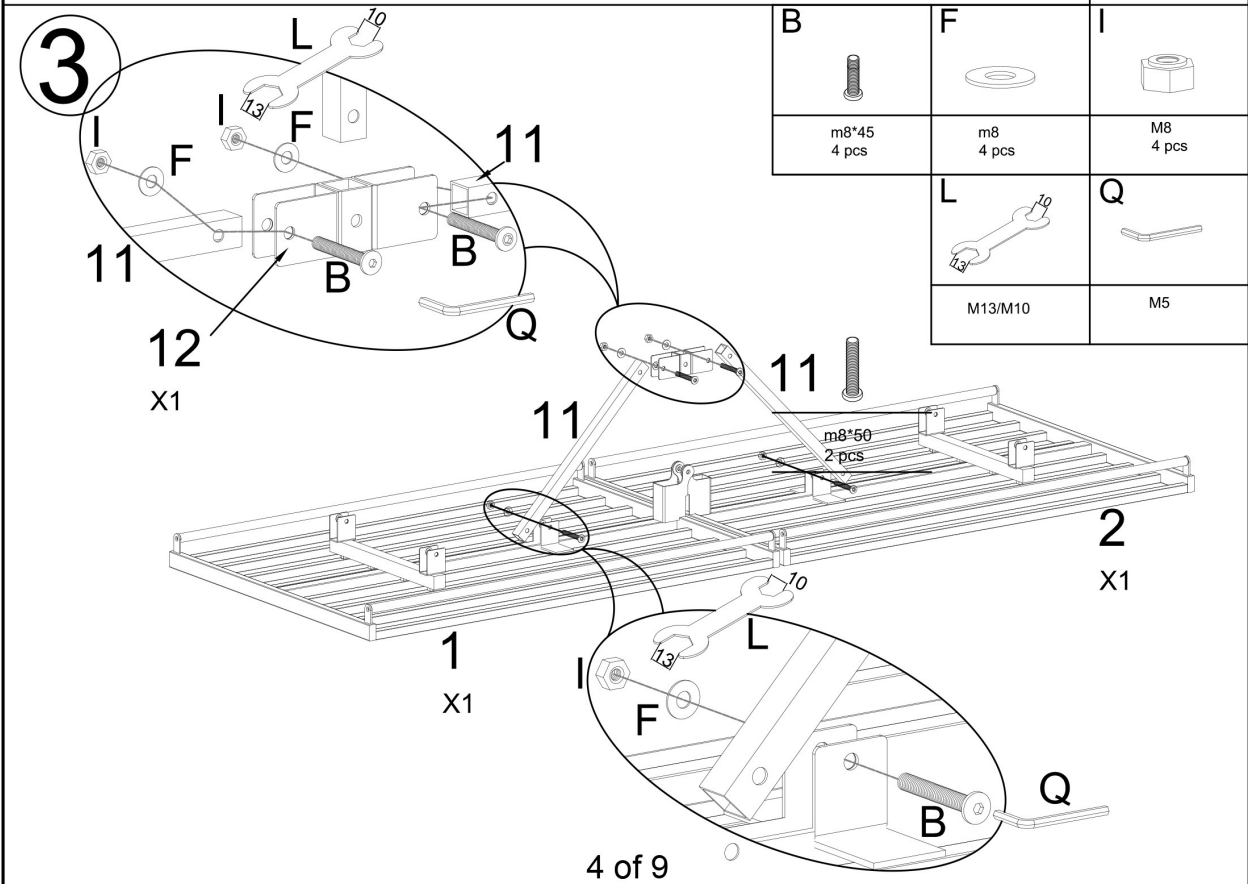
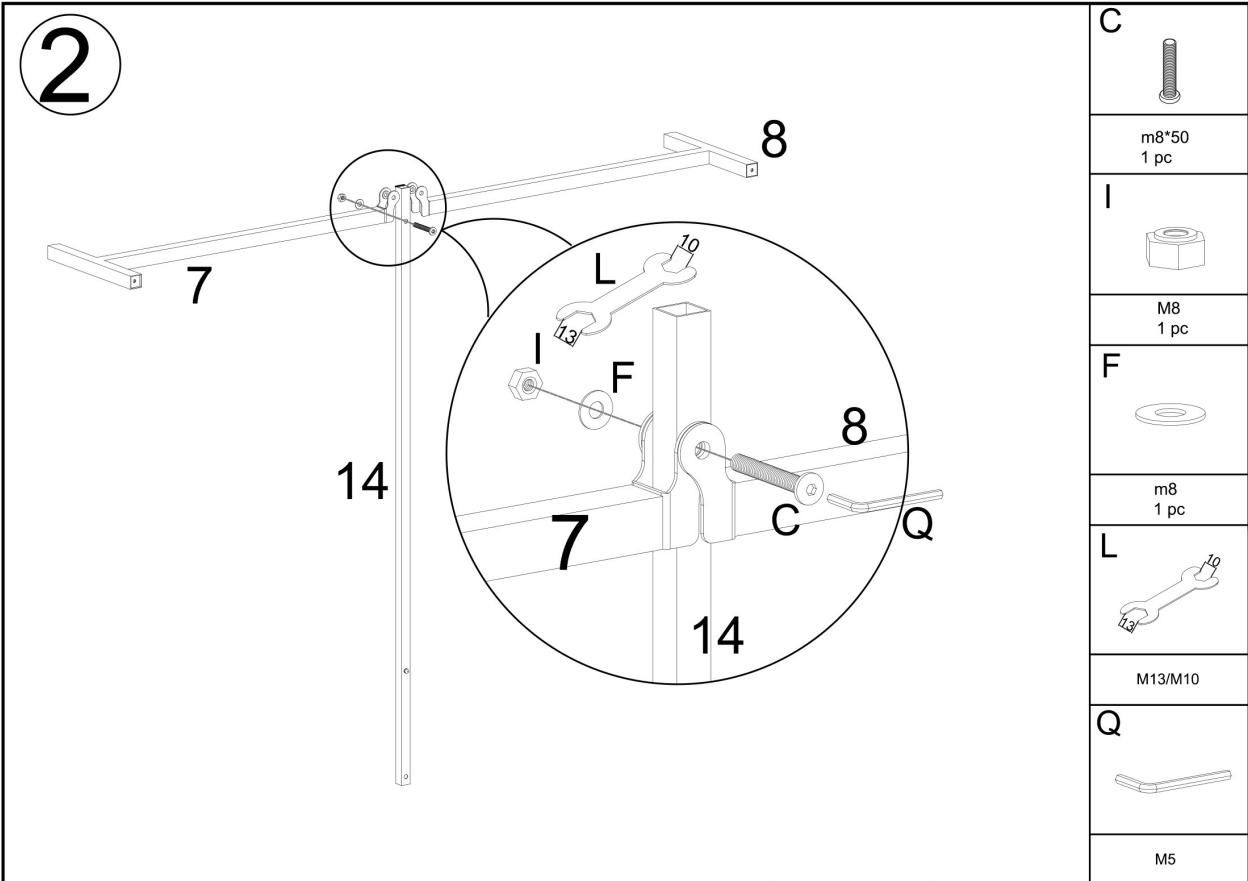
A 	B 	C 	D 	E 	F 
m8*12 4 pcs	m8*45 8 pcs	m8*50 2 pcs	m6*12 16 pcs	m6*30 32 pcs	m8 10 pcs
G 	H 	I 	J 	K 	L 
m6 16 pcs	Ø25 4 pcs	M8 10 pcs	M6 32 pcs	m8*40 4 pcs	M13/M10
M 	N 	O 	P 	Q 	R 
Ø75	Ø75	M16	32 pcs	M5	M4

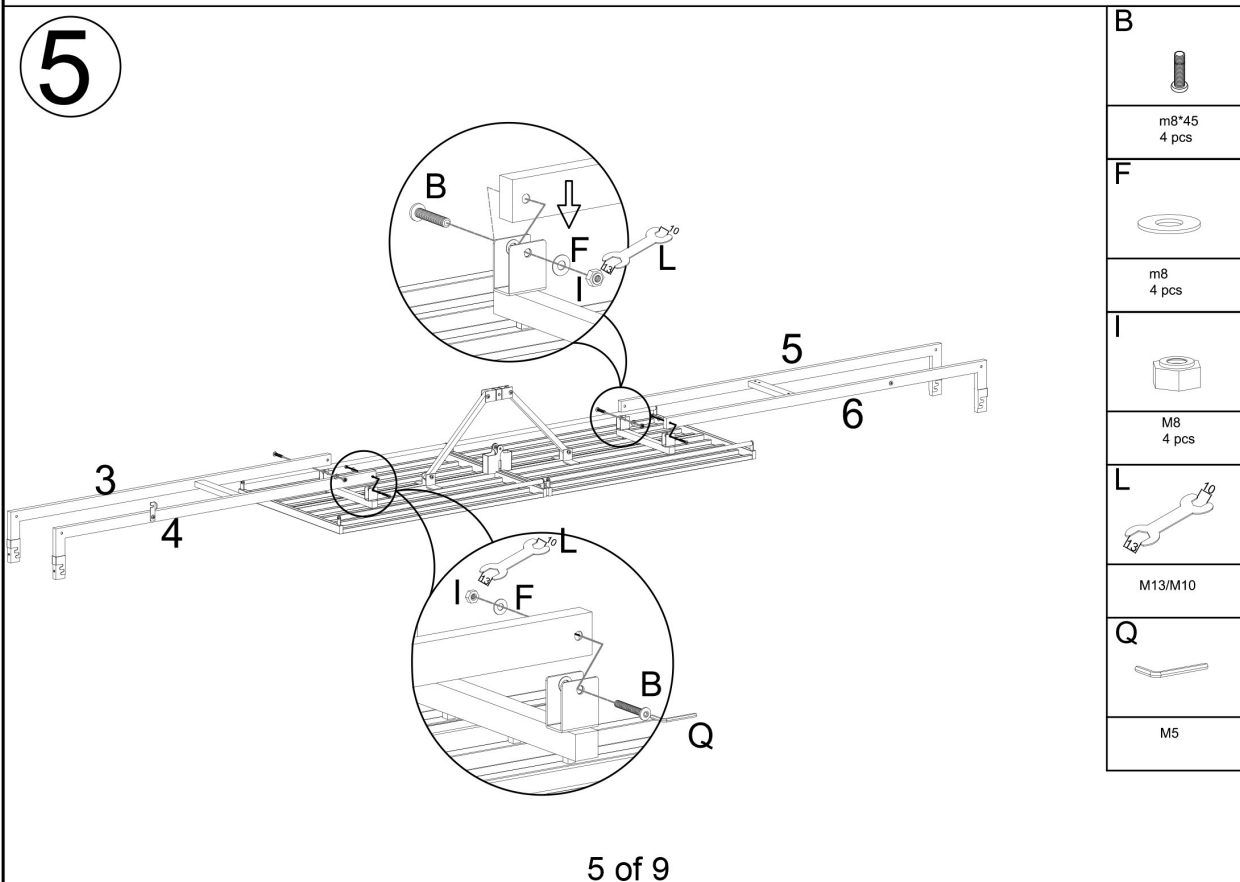
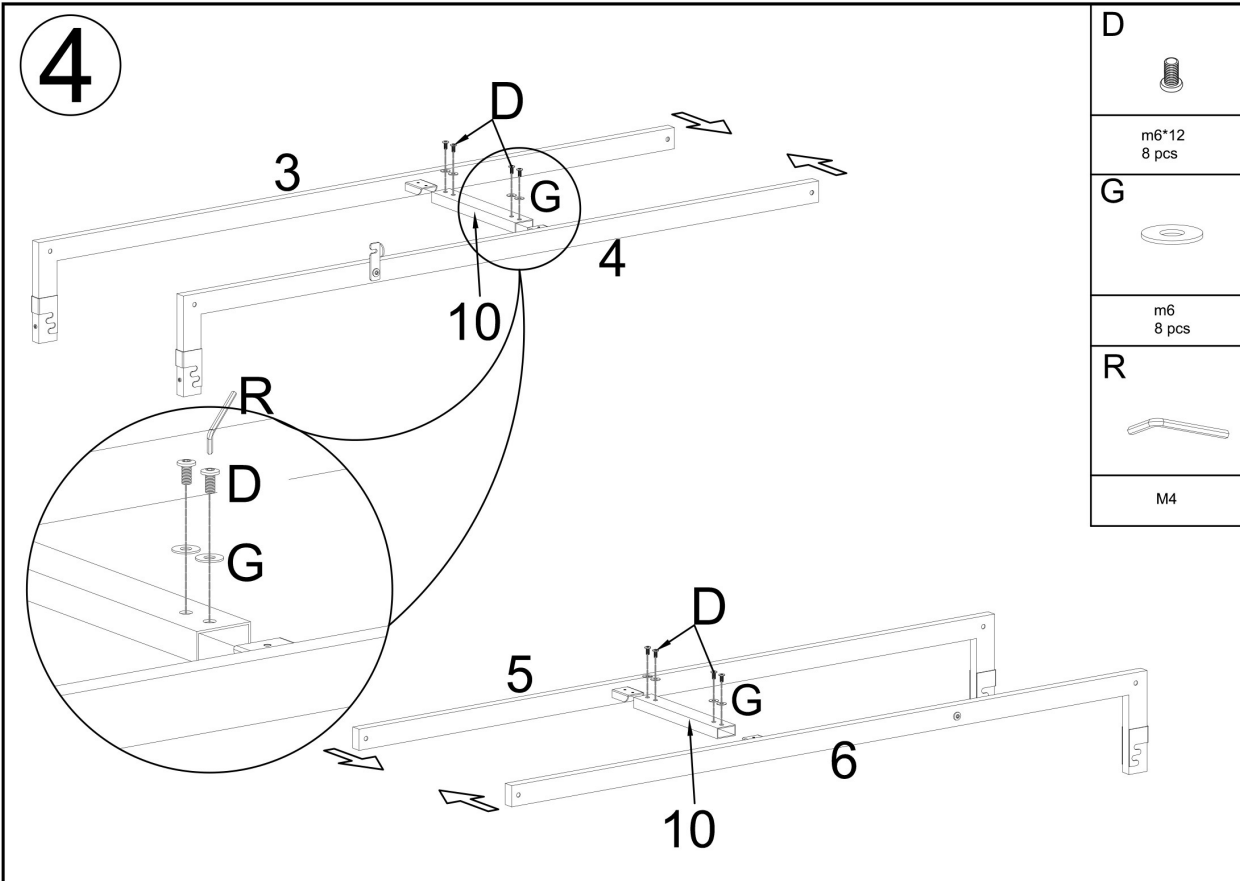
1



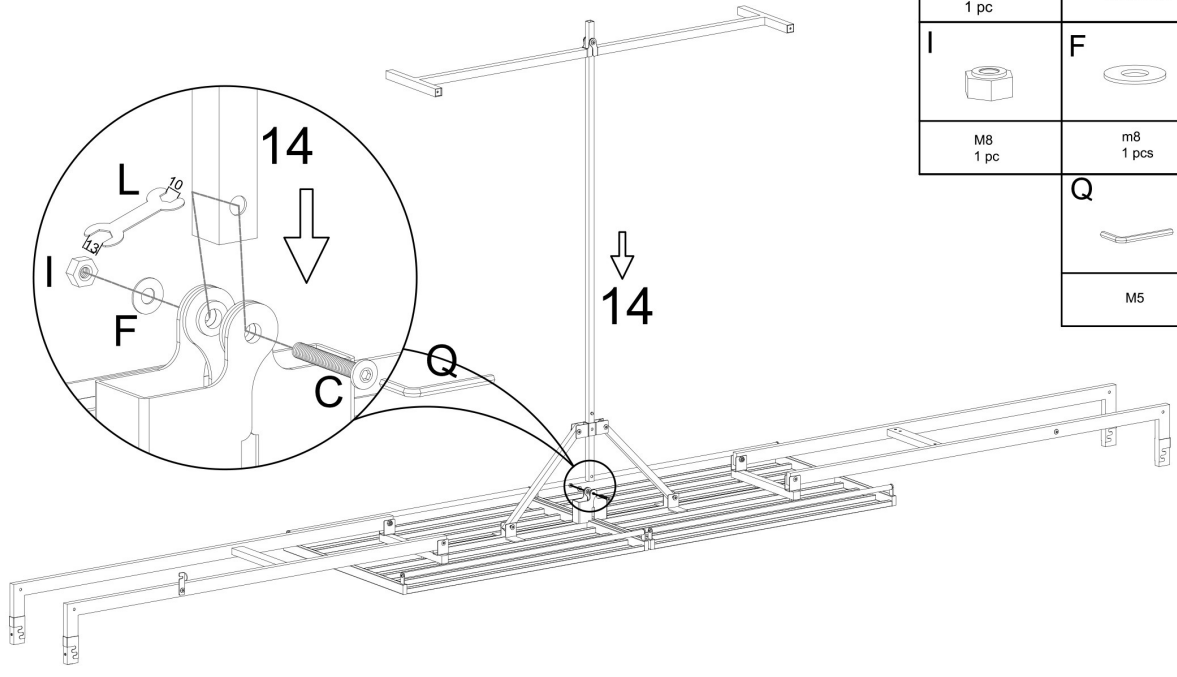
D 	G 	R 
m6*12 8 pcs	m6 8 pcs	M4










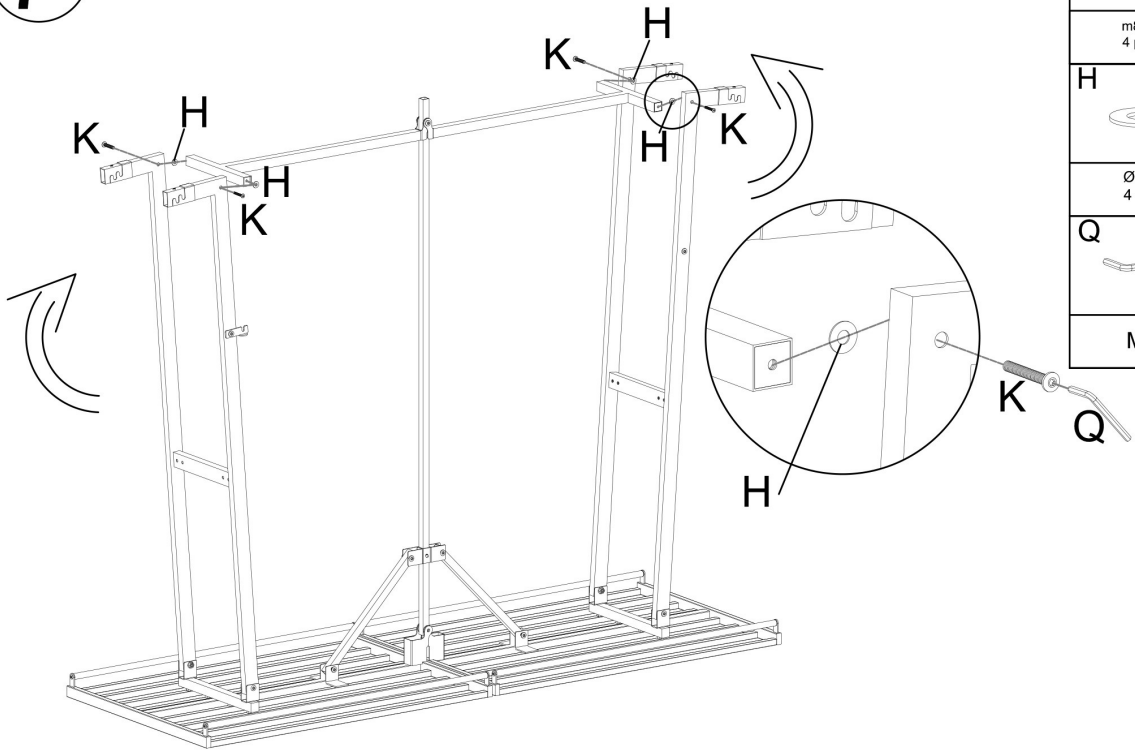


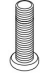


6



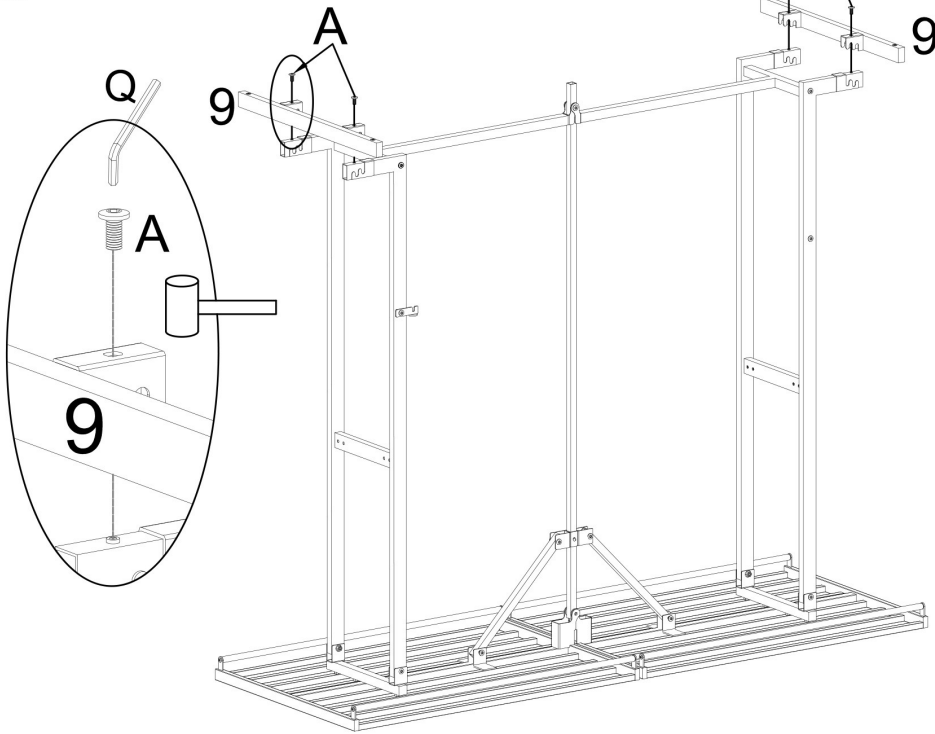
C		L	
	m8*50 1 pc		M13/M10
I		F	
	M8 1 pc		m8 1 pcs
		Q	
			M5

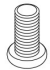

7



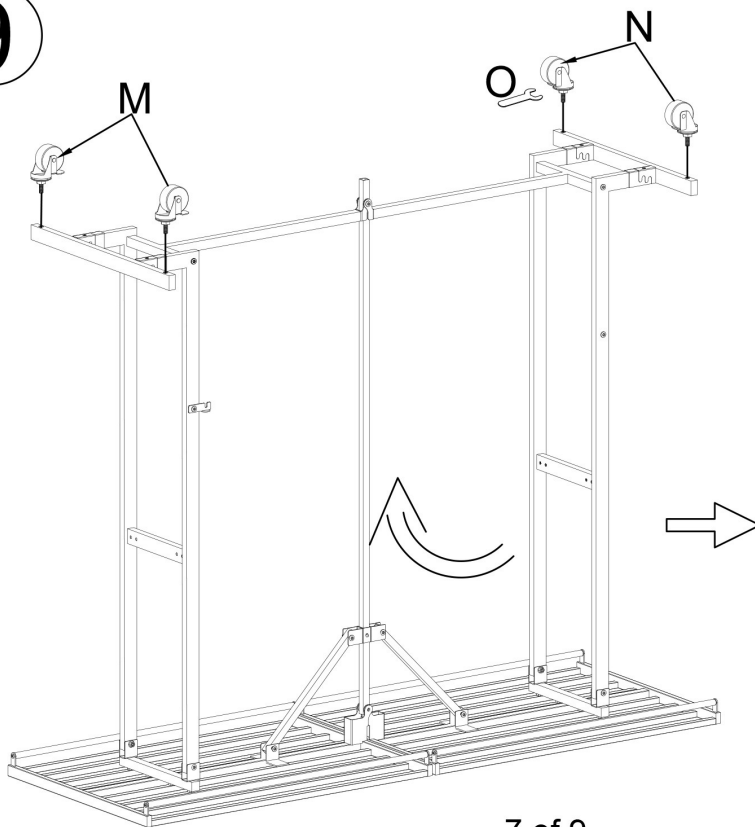
K	
	m8*40 4 pcs
H	
	Ø25 4 pcs
Q	
	M5




8



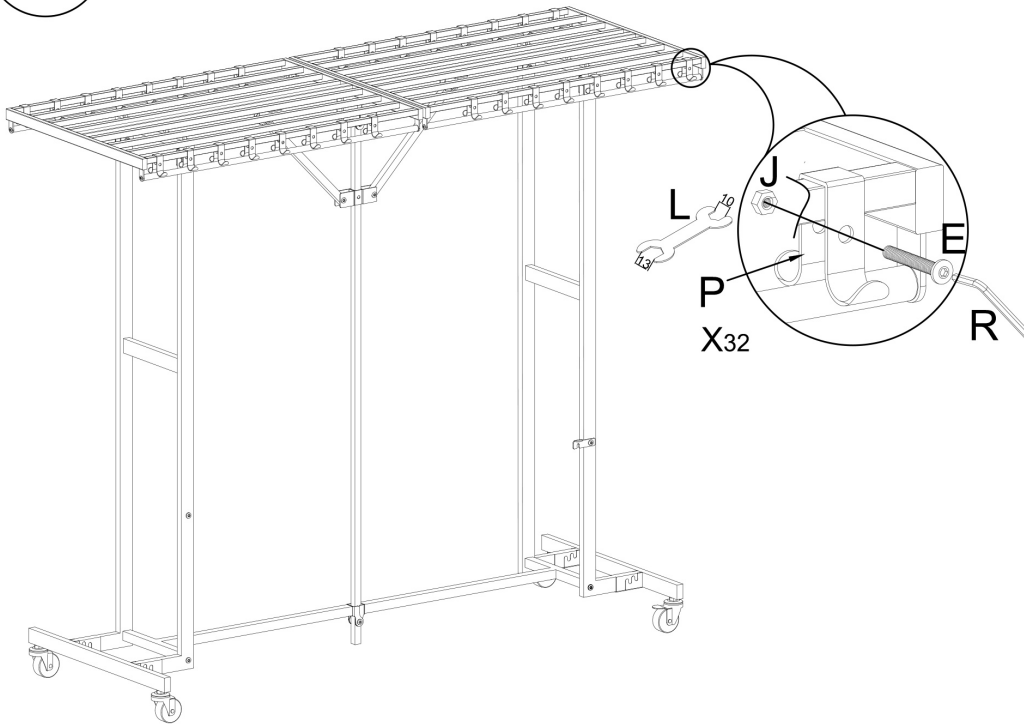
A	
	m8*12 4 pcs
Q	
	M5






9



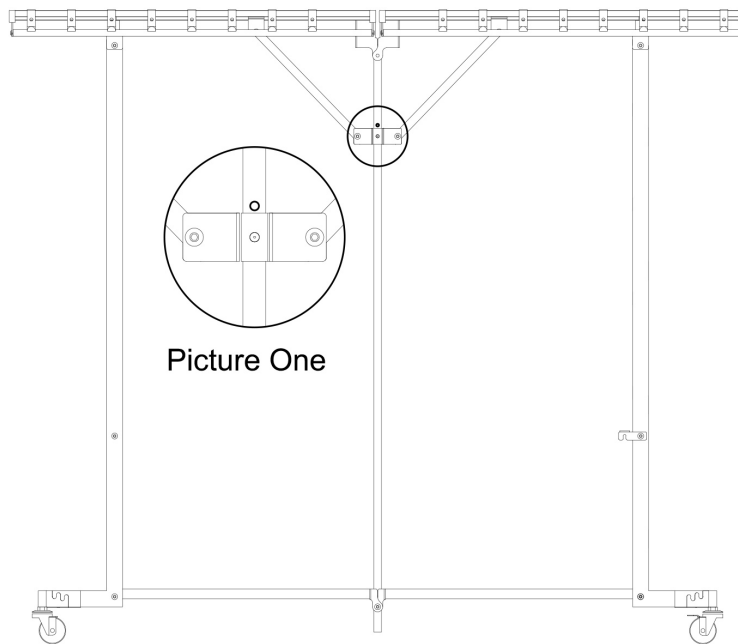
M	
	Ø75
N	
	Ø75
O	
	M16

10

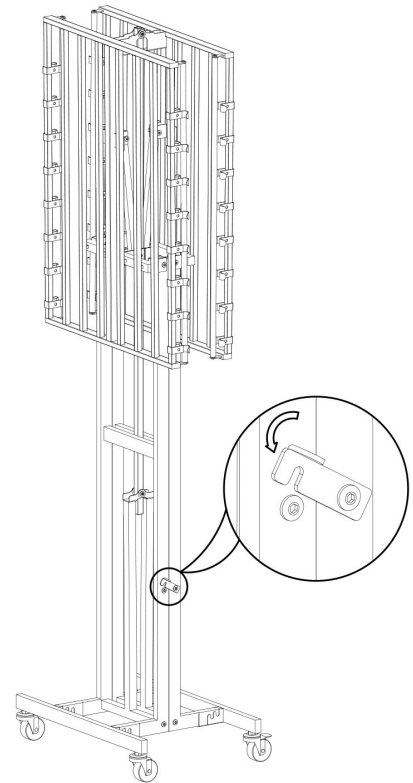
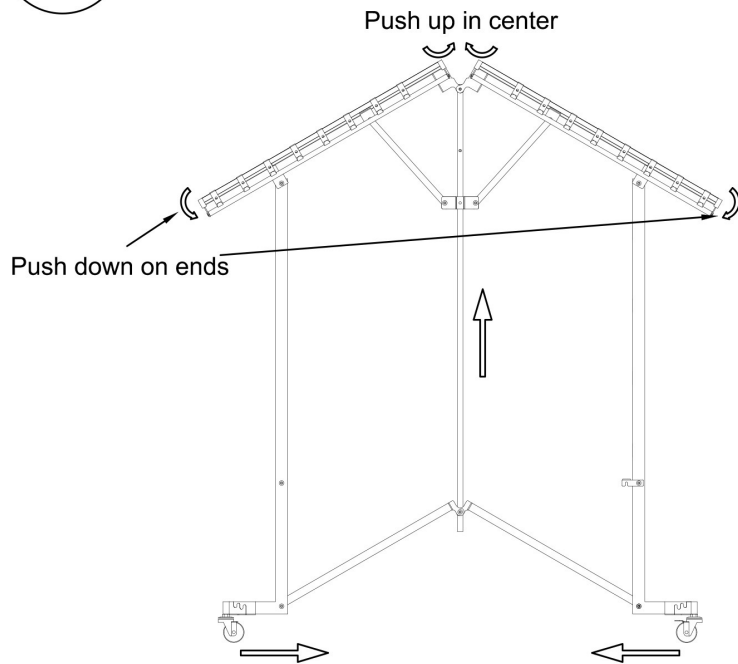


E	
	m6*30 32 pcs
J	
	M6 32 pcs
L	
	M13/M10
P	
	32 pcs
R	
	M4

11



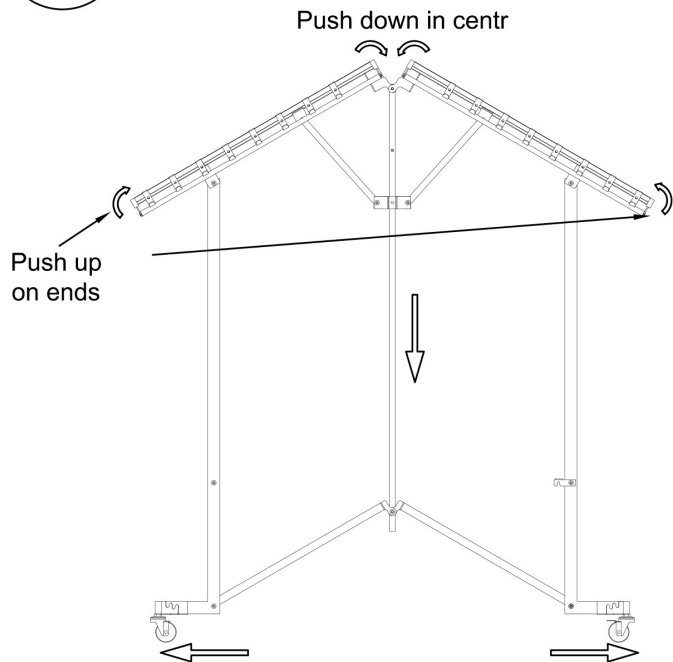
12



Close hinge to secure-and simply roll away!

13

To Open:



Maintenance:

Tighten down bolts once every 6 months for optimum performance