

Need help?
Customer Service is available
8:30-5:00 CT, Mon-Fri
Toll Free: 800-443-5117



Tools Needed

- A helper
- 5 mm Allen Wrench (provided)
- Rubber Mallet
- Power Drill or Screwdriver
- WD40 or similar lubricant

Check out our Assembly Video!!!!



4-Person Workstation Kit

Parts



2 Sets of End Frames

2 Center Legs

4 Cableway Braces



3 Connecting Posts



2 Optional Shared Cable Troughs



8 Hanging Brackets for Cable Troughs



4 Desktops



2 Short Acrylic Panels

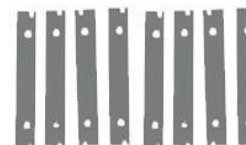


2 Long Acrylic Panels



8 Panel Clips

Hardware Included:



8 Flat Brackets



6 Tension Knobs



16, M6 Screws



72 Wood Screws



5mm Allen Wrench

Add-on Workstation Kit (if purchased)

Parts



2 Center Legs



2 Cableway Braces



1 Connecting Post



1 Shared Trough



4 Hanging Brackets for Shared Trough



2 Desktops



2 Short Acrylic Panel w/Mounting Brackets



1 Long Acrylic Panel w/Mounting Brackets



6 Panel Clips

Hardware Included:



4 Flat Brackets



2 Tension Knobs



8, M6 Screws



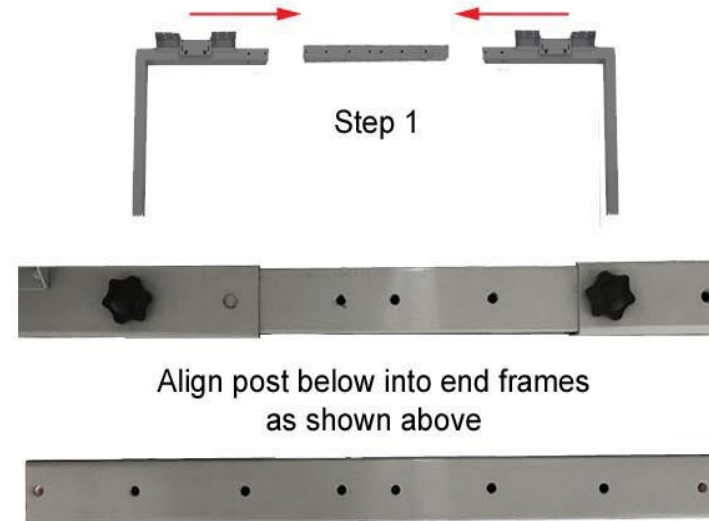
36 Wood Screws



5mm Allen Wrench

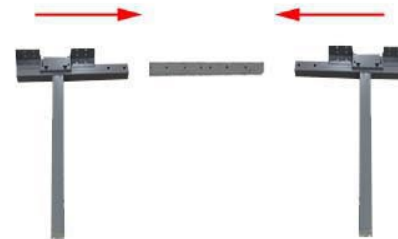
Step 1

Locate your first set of end frames, one connecting post and two tension knobs. The connecting post will have holes drilled on two sides of the square tube. Make sure these holes line up with the holes on the end frames. Insert the connecting post into the end frames. If post does not slide by hand, try a few squirts of WD40 and tap the frames with a rubber mallet until the post slides in. Position the connecting post as shown in the diagram below. Once the holes are aligned, screw in two tension knobs.



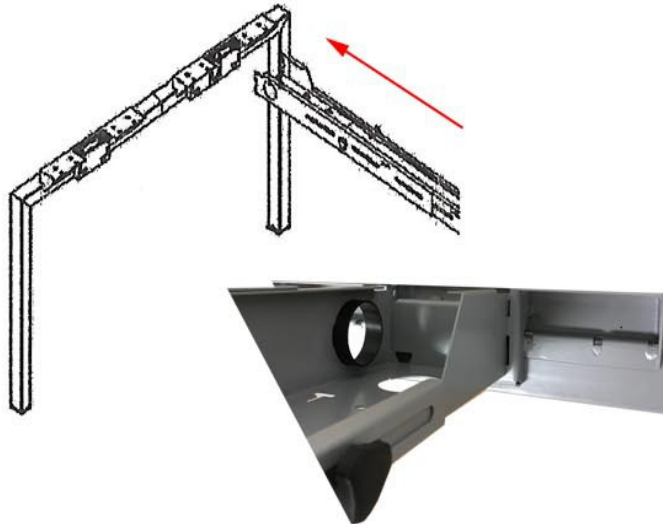
Step 2

Locate the 2 Center Legs, one connecting post and two tension knobs. Repeat the same steps as described above for the Center Legs and attach connecting post in same way.



Step 3

Locate two cableway braces. Remove all tension knobs on the braces. The cableway braces fit into the end frames by hand, by inserting the tabs into the slots on the end frames. With two people, have one person hold the end frame upright while the other inserts the cableway braces. Then, using a rubber mallet, tap down on the cableway braces to lock into the frame.



Step 4

Now, repeat the same process with the center legs. Connect the other sides of the cableway braces to the center legs in the same manner. Once done, your desk frame will look like this:



Step 5

For the next step you will need four flat brackets, eight M6 screws and the Allen Wrench provided. Connect the flat brackets to the tops of the cableway braces with two screws each:

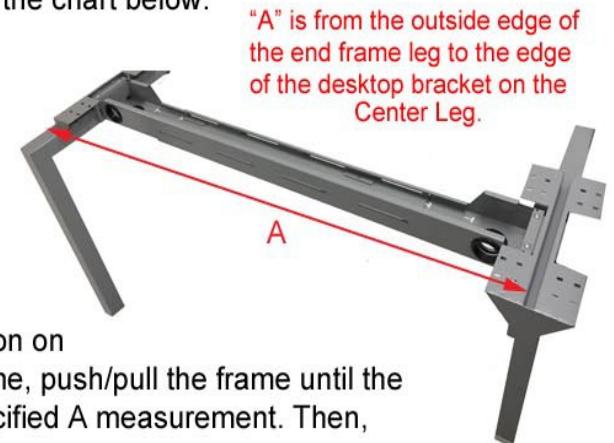


Step 6

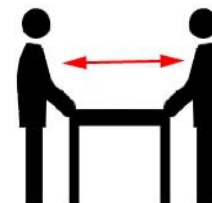
The workstation frames are adjustable to fit a variety of desk top sizes. The cableway braces slide in and out so you can adjust the workstation width to your specific desktop size.

First, you'll need to determine how wide the frame needs to be. Find your desktop size on the chart below:

Desktop Size	A
48" x 28"	47-1/4"
60" x 28"	60"
72" x 28"	71"



Then, with one person on each side of the frame, push/pull the frame until the frame is to your specified A measurement. Then, screw in all of the tension knobs on the braces and fully tighten.



Step 7

If you purchased add-on workstation kits with your order, assemble your next set of Center Legs with one connecting post and two tension knobs, just like shown in Step 2. Then repeat Steps 3-6 to connect Cableway Braces, Flat Brackets and adjust the width of the workstations. Repeat all of these instructions for each add-on workstation kit purchased.

If you did not purchase an add-on workstation, locate your last set of End Frames and assemble as shown in Step 1. Then repeat Steps 3-6 to connect Cableway Braces, Flat Brackets and adjust the width of the workstations.

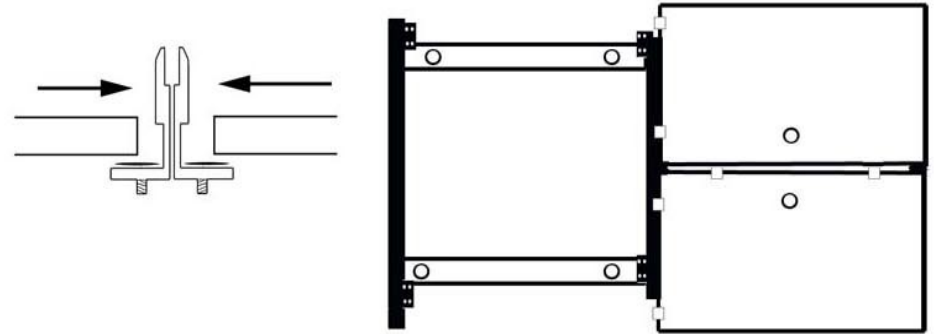
Assembled 4-Person Workstation Frame



Step 8

Once your entire frame is completely assembled, your next step will be to attach the desktops and panels. Locate your desktops, short acrylic panels, long acrylic panels, panel clips and bag of wood screws.

First, set all tops on the frame and space them how you like, accounting for space needed for panel clips (drawing below) or channels or routing wires if so desired. You can also set up the tops with no gaps or spaces. Once you have them spaced, start by using the wood screws to drill the first top into the frame. The wood screws are self-drilling, so you are making your own holes. Once the first top is secure, attach the panels clips to the first top like shown below (if you ordered them). Then, proceed to screw down each top in order, adding clips as you go.



Final View of all panels installed:



Step 9

Insert acrylic panels into clips and secure with allen wrench.



Step 10 - Optional

Shared Cable Troughs are optional. They allow cords to be routed from the grommets in the desktop, under the desk into a shared trough.

Clip 8 Hanging Brackets onto the Shared Cable Troughs by hand. They snap into the slots on the sides of the trough.

Using two wood screws per bracket, attach Shared Cable Trough by centering the trough on the seams of the desktops, under the desk.

View from underside



Cut away view:



Need help?
Customer Service is available
8:30-5:00 CT, Mon-Fri
Toll Free: 800-443-5117