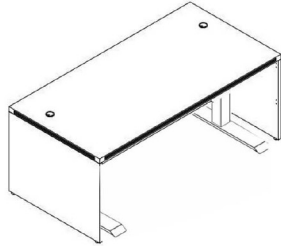


Electric Lift Desk Shell Assembly Instructions



Applies to:

(BK/CH/MJ/ML/MWAL/WH) 2001/2002/2043/2089/3624/7124
& ET-223 Electric Lift Base

List of Hardware:

Part	Part
 Wood Dowel	 Cap
 Cam Pin	 Leveling Glide
 Cam Lock	 Grommet

Tools Needed:

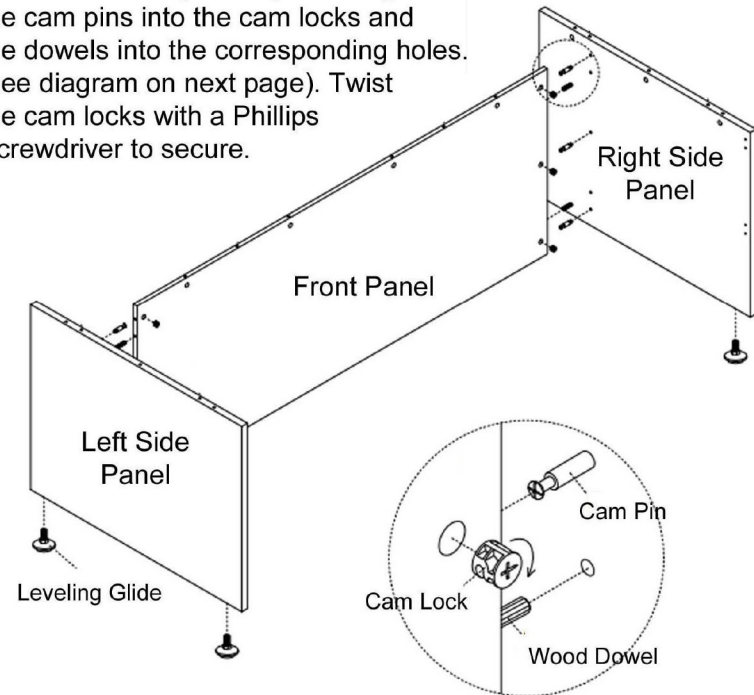
- Phillips Screwdriver
- A helper!

Part 1: Desk Shell Assembly

1.) Assemble on carpet or cardboard to protect parts during assembly. Assembly will require 2 people for safety.

2.) Locate left & right side panels. Screw in the leveling glides by hand. Then, insert wood dowels & cam pins. The wood dowels fit into the slightly larger holes, compared to the cam pin holes

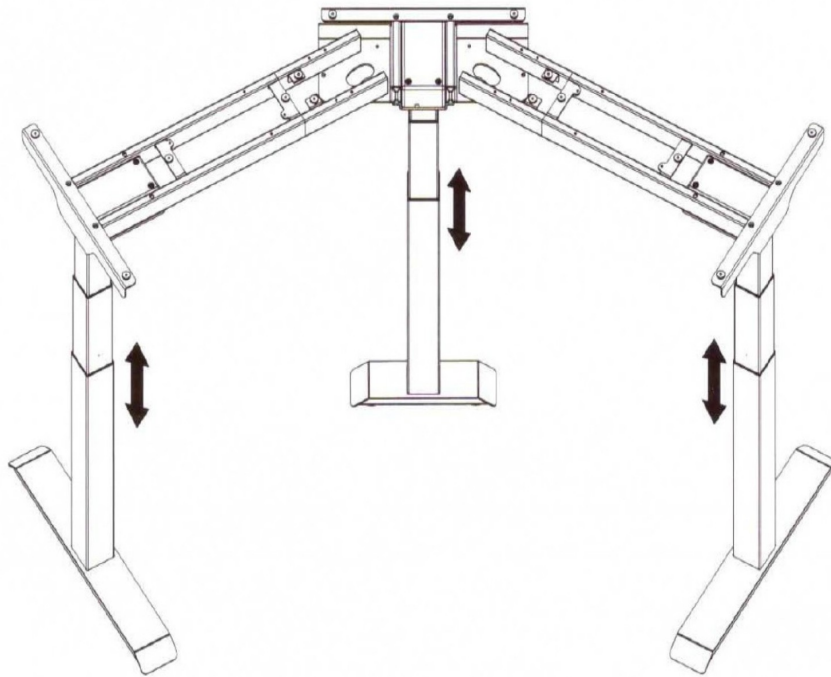
3.) Locate front panel and insert all cam locks on the left & right sides. Then, align one of the side panels and connect the panel by inserting the cam pins into the cam locks and the dowels into the corresponding holes. (see diagram on next page). Twist the cam locks with a Phillips Screwdriver to secure.



4.) Set the Desktop aside for final install once Electric Lift Frame has been assembled.

See next page for electric lift frame assembly.

Questions? Please call 1-800-443-5117.
Customer Service available 8:30 - 5:00 Central Time, Monday - Friday





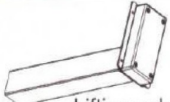

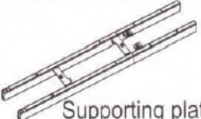
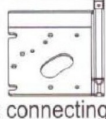

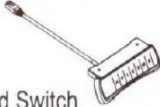
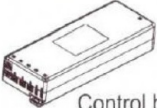


Technical data

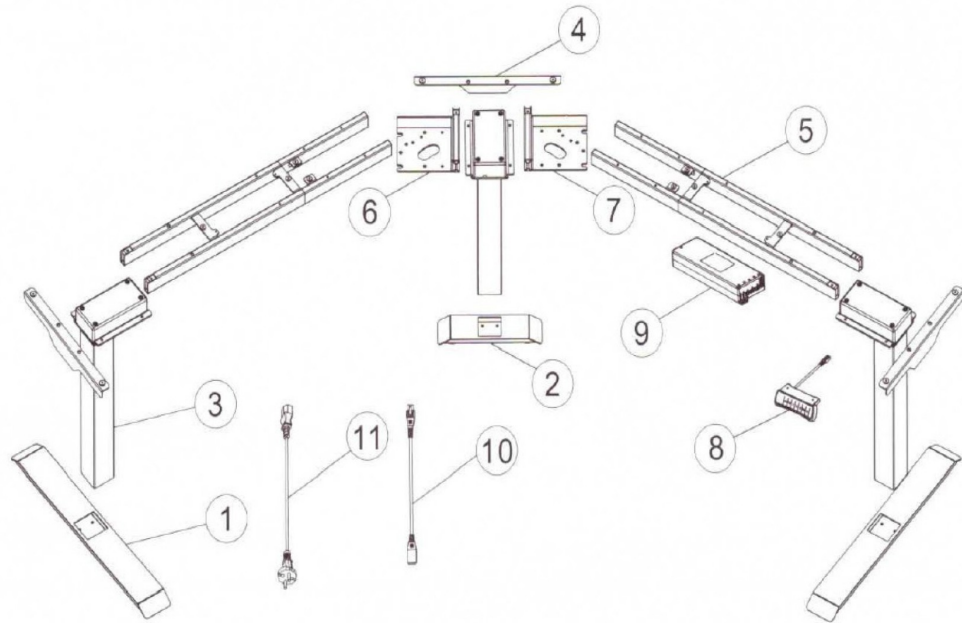
Column qty	3
Max Loading capacity	150KG
Height range	580-1230mm

Accessory list

No.	Image	Spec	Qty
A		M6	6
B		M6	8
C		M6	16
D		M6	12
E		M8	4
F		St4.2	24
G		St4.2	6
H		Wiring fixing seat	6
I		Wrench 4x4mm Wrench (with cross) 5x5mm	1

Component list

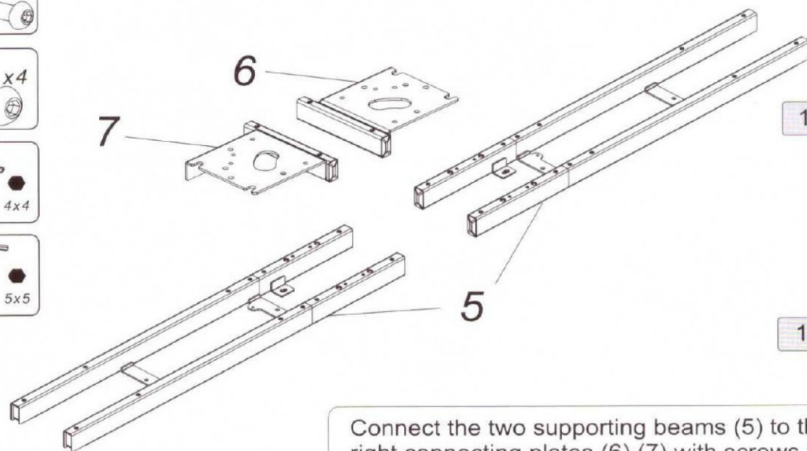
No.	Part	Qty	No.	Part	Qty
①	 Long feet	2	②	 Short feet	1
No.	Part	Qty	No.	Part	Qty
③	 Lifting column	3	④	 Supporting beam	3
No.	Part	Qty	No.	Part	Qty
⑤	 Supporting plate	2	⑥	 Left connecting plate	1
No.	Part	Qty	No.	Part	Qty
⑦	 Right connecting plate	1	⑧	 Hand Switch	1
No.	Part	Qty	No.	Part	Qty
⑨	 Control box	1	⑩	 Cable	1
No.	Part	Qty			
⑪	 Power Plug	1			



Note: This standing desk has three angle installation methods, 90°, 120° and 180°

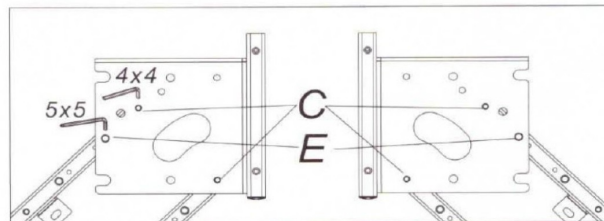
STEP 1

Install left and right connecting plates

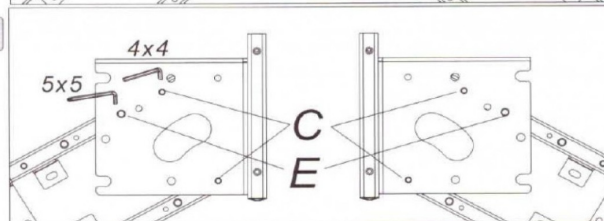


Connect the two supporting beams (5) to the left and right connecting plates (6) (7) with screws (C) and (E) respectively. There are three angles to choose at will, and finally tighten them with a wrench (I)

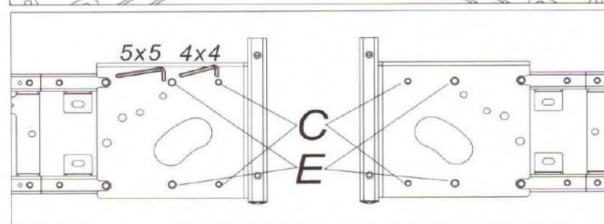
90° Installation



120° Installation



180° Installation

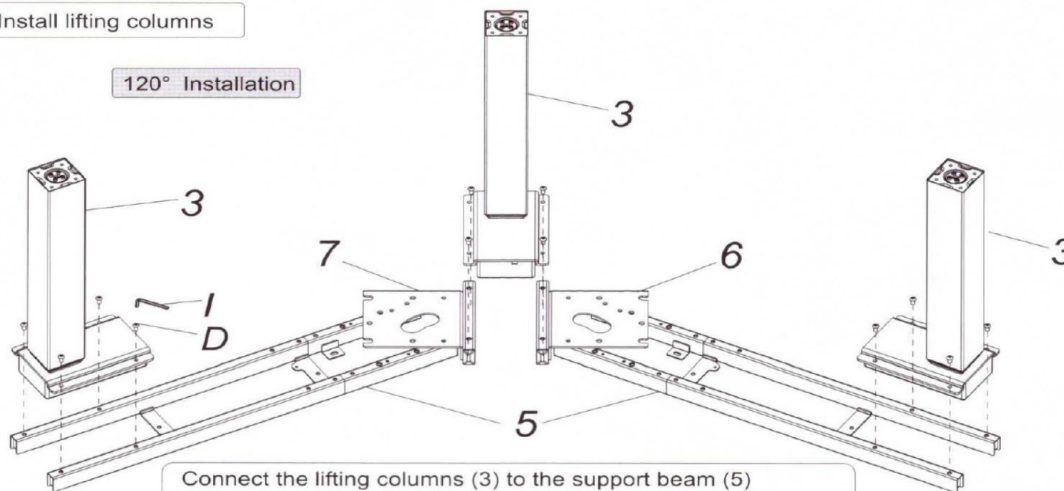


STEP 2

Install lifting columns



120° Installation



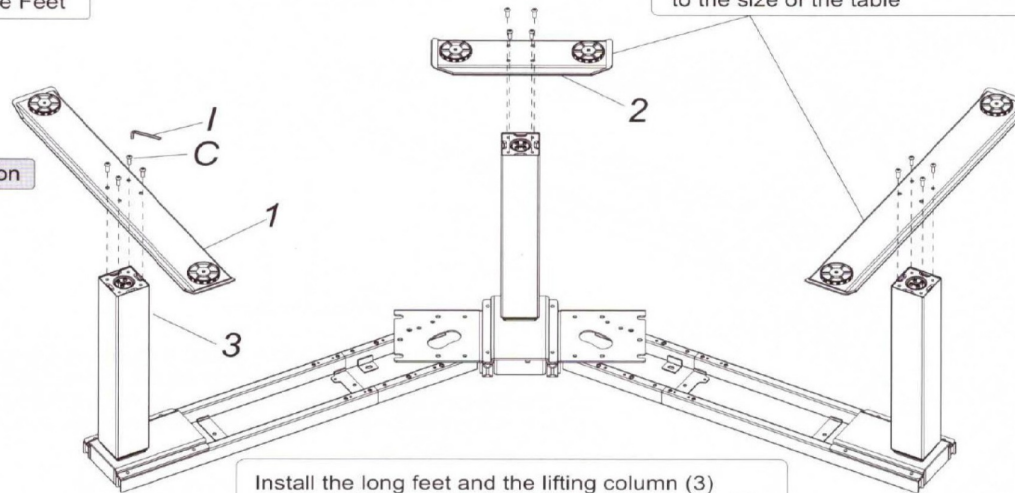
Connect the lifting columns (3) to the support beam (5) with screws (D), the middle column (3) to the left and right connecting plates (6) (7), and the wrench (I) to tighten the screws; 90° and 180° are installed in the same way as 120°.

STEP 3-1

Install the Feet



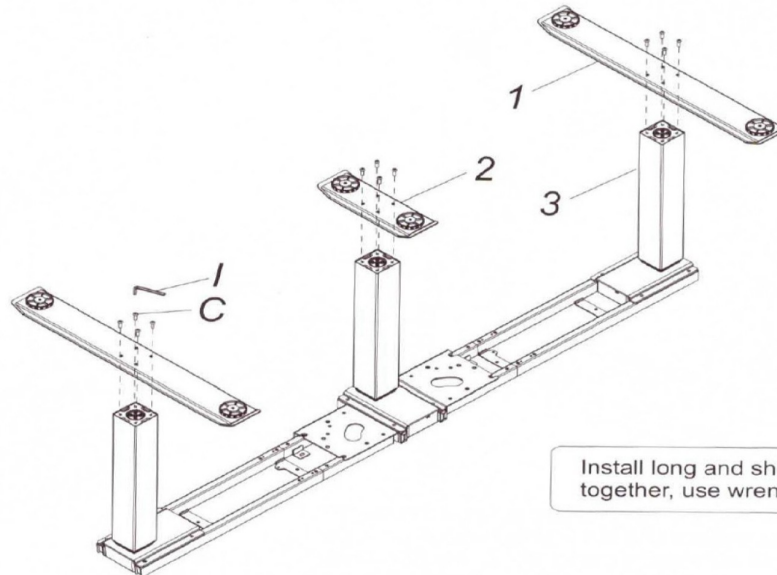
90° and 120° installation



Install the long feet and the lifting column (3) together, use wrench (I) to tighten the screws (C).

STEP 3-2

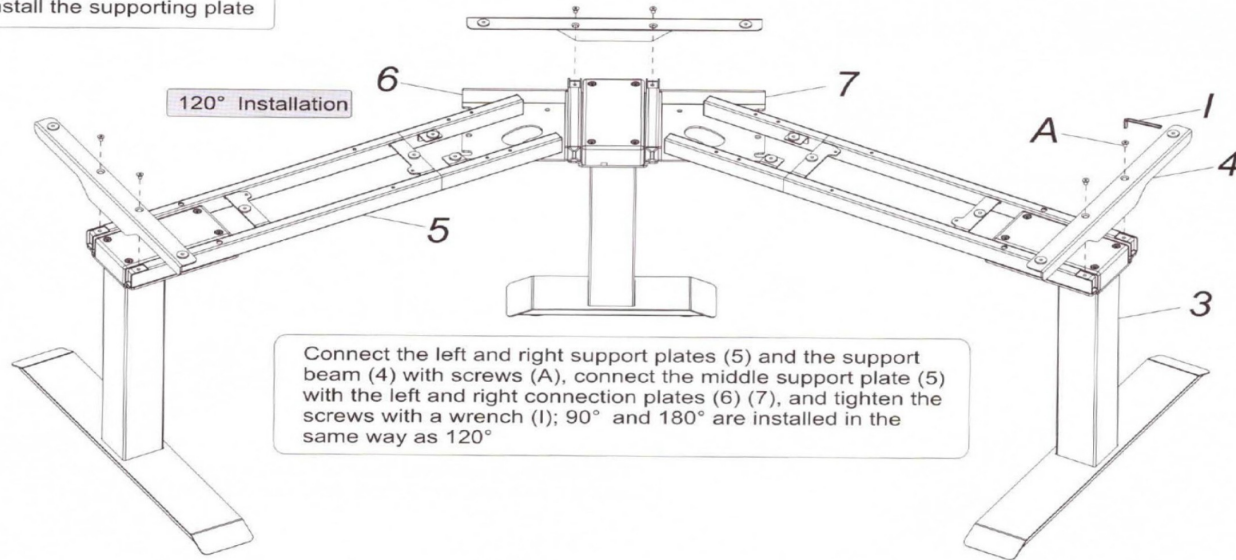
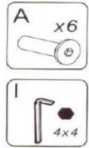
180° Installation



Install long and short the feet(1)(2) and the lifting column (3) together, use wrench (I) to tighten the screws (C).

STEP 4

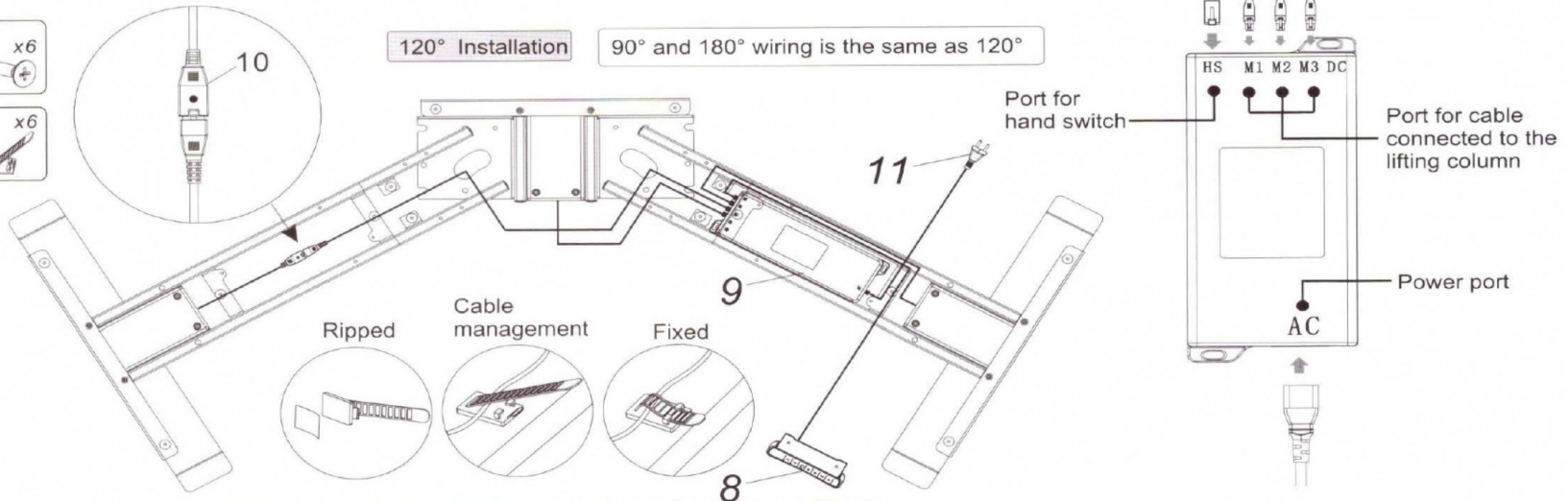
Install the supporting plate



Connect the left and right support plates (5) and the support beam (4) with screws (A), connect the middle support plate (5) with the left and right connection plates (6) (7), and tighten the screws with a wrench (I); 90° and 180° are installed in the same way as 120°

STEP 5

Connect All the Cables onto the Control Box



The wiring fixing seat (H) can be glued to the desk board, and can also be screwed to the desk board with screws (G)

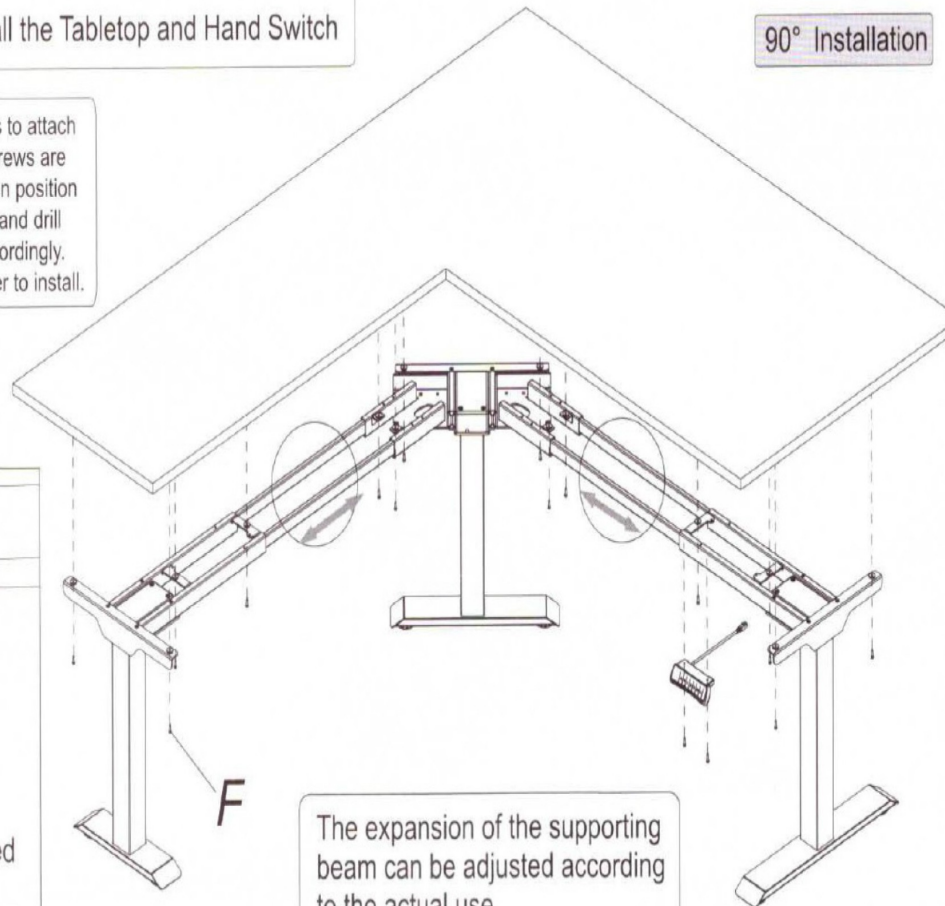
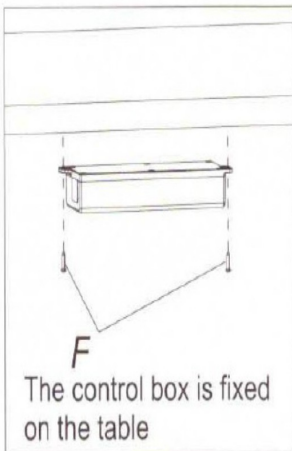
STEP 6-1

Install the Tabletop and Hand Switch

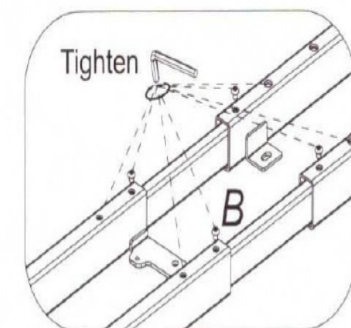
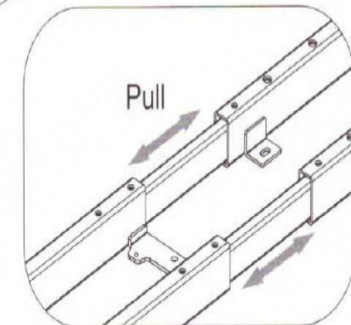
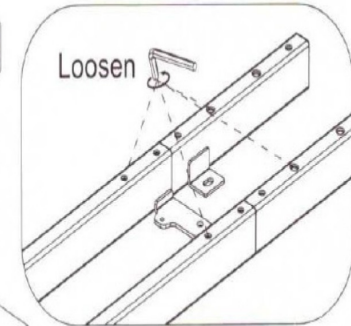
90° Installation



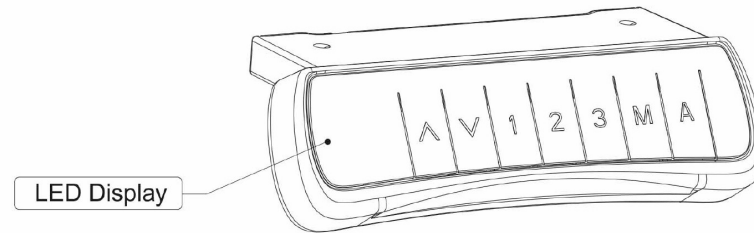
Use (F) wood screws to attach desktop(s). Wood screws are self-drilling so you can position top(s) how you like and drill your own holes accordingly. Use power screwdriver to install.



The expansion of the supporting beam can be adjusted according to the actual use.



1. Product Outline



2. Product Specification

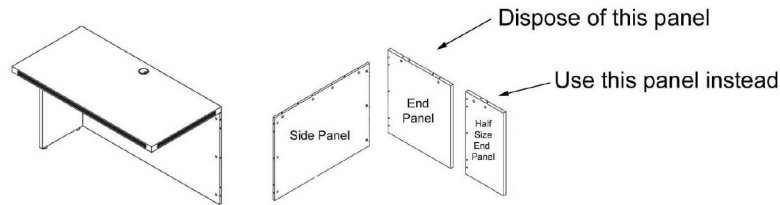
Introduction to the Buttons:

- (1) "▲" : Adjust the desk upwards
- (2) "▼" : Adjust the desk downwards
- (3) "1" : Position 1, first height position saved by the user
- (4) "2" : Position 2, second height position saved by the user
- (5) "3" : Position 3, third height position saved by the user
- (6) "M" : Height memory function
- (7) "A" : Alert button to remind users changing posture

3. Operating Instructions



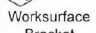







- Height Adjustable Function:
Press the "▲" or "▼" button to adjust the height. The LED display shows the current height.
- Height Memory Function:
 - a. Press UP or DOWN button and adjust the height to the desired height. Press "M" to save the height, and the screen will display "5-";
Press "1" , "2" ,or "3" then, that is, save the height to the corresponding position 1 or 2 or 3, which will show in the display screen as "5-1" , "5-2" , or "5-3";
 - b. Press "1" , "2" and "3" button directly to automatically adjust the memory height you saved.

Reversible Bridge on Height Adjustable U-Workstation



BK/CH/FL/MJ/ML/MWAL/WH2045 + 2045B

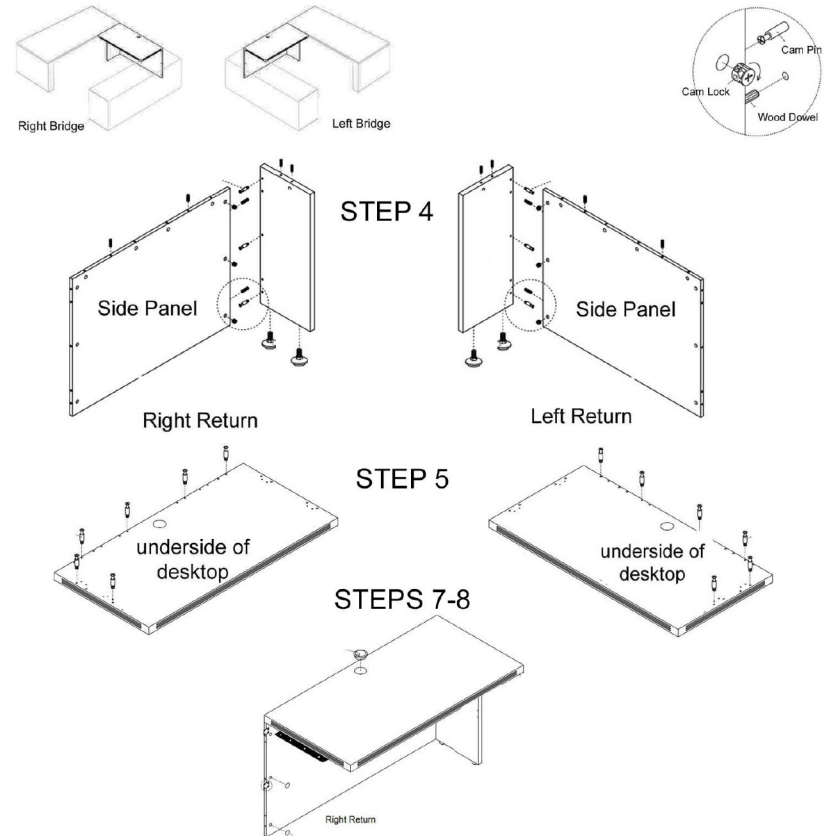
List of Hardware:

Part	Part	Part
 Wood Dowel	 Shallow Cover	 Worksurface Bracket
 Cam Pin	 Deep Cover	 Side Panel Brackets (2)
 Cam Lock	 Grommet	 M6 Screw
 Wood Screw		 Leveling Glide

Tools Needed:

- Phillips Screwdriver
- Power Screwdriver
- A Helper

- 1.) Assemble on carpet or cardboard to protect parts during assembly. Assembly will require 2 people for safety.
- 2.) Determine if the bridge will be Left or Right handed. Locate your Desktop, Side Panel and End Panel. In a separate box, you will find your Half Size End Panel. Dispose of the full size End Panel, as the Half Size End Panel will take its place.
- 3.) Insert all Leveling Glides on Side Panel and Half Size End Panel.
- 4.) Use the Cam Locks, Cam Pins and Dowels to connect the Half Size End Panel to the Side Panel.
- 5.) Then, attach the Desktop to the Side Panel and Half Size End Panel using the Dowels, Cam Locks and Cam Pins provided.

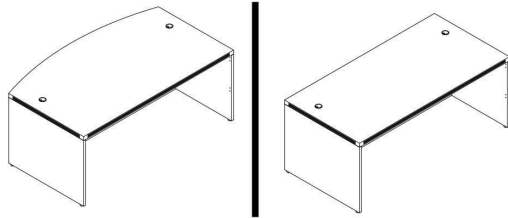


- 6.) Your next step is to make sure the desktop is level. This can be adjusted by screwing/unscrewing the leveling glides.
- 7.) Now it is time to place your bridge in between the assembled front desk and back desk. You will connect the bridge to the back desk using the Desktop Bracket and M6 machine screws. Then, connect the Side Panel to the Side Panel of your back desk using the Side Panel Brackets and Wood Screws.
- 8.) Your last step is to insert the Grommet into the desktop and use the Shallow and Deep Covers over the Cam Locks.

Questions? Please call 1-800-443-5117.

Customer Service available 8:30 - 5:00 Central Time, Monday - Friday

Desk/Credenza Shell Assembly Instructions



Applies to:

(BK/CH/MJ/ML/MWAL/WH) 2001/2002/2043/2089/3624/7124

List of Hardware:

Part	Part
 Wood Dowel	 Cap
 Cam Pin	 Leveling Glide
 Cam Lock	 Grommet

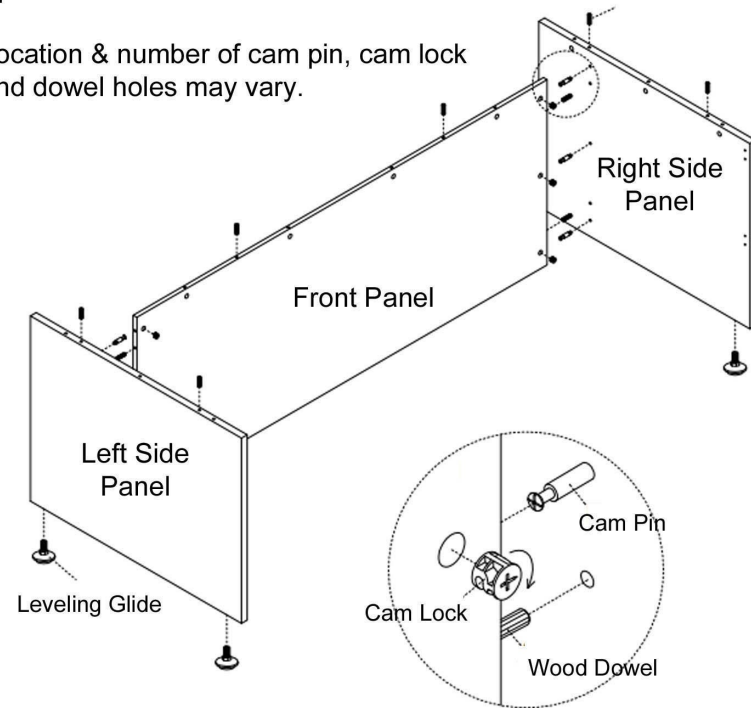
Tools Needed:

- Phillips Screwdriver
- A helper!

- 1.) Assemble on carpet or cardboard to protect parts during assembly. Assembly will require 2 people for safety.
- 2.) Locate left & right side panels. Screw in the leveling glides by hand. Then, insert wood dowels & cam pins. The wood dowels fit into the slightly larger holes, compared to the cam pin holes
- 3.) Locate front panel and insert all cam locks on the left & right sides. Then, align one of the side panels and connect the panel by inserting the cam pins into the cam locks and the dowels into the corresponding holes. (see diagram on next page). Twist the cam locks with a Phillips Screwdriver to secure.

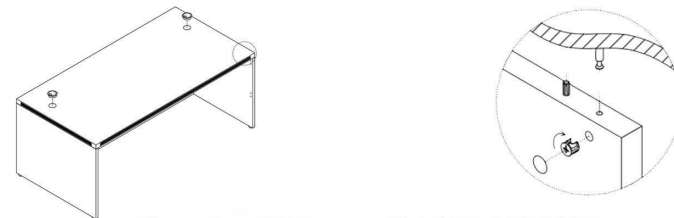
Special Note:

Location & number of cam pin, cam lock and dowel holes may vary.



- 4.) Next, insert all cam pins, dowels and cam locks on the top edges of the side panels and front panels. Locate the desktop and with a helper, carefully set the desktop on top of the assembly shown above. Twist cam locks to secure the connection.

- 5.) Your last step is to insert the grommet(s) provided into the desktop. Cover the cam locks with the caps provided.

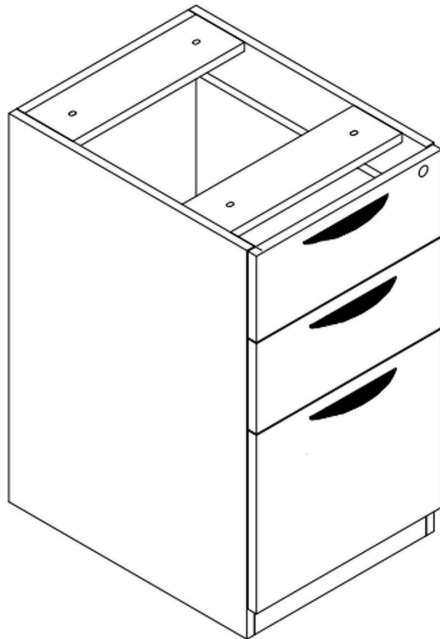


Questions? Please call 1-800-443-5117.




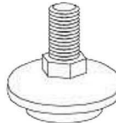
Customer Service available 8:30 - 5:00 Central Time, Monday - Friday

Box/Box/File Desk Pedestal Assembly Instructions

Applies towards:
BK/CH/FL/MJ/ML/WH2066



List of Hardware:

Part	Part
 4 Large Bolts	 3 Drawer Pulls with screws
 1 set of keys	 4 Leveling Glides

- 1.) Install 4 leveling glides.
- 2.) Use the screws to attach drawer pulls.
- 3.) To install under desk, remove the top box drawer (or top two box drawers) by locating the black tabs inside of the left & right drawer slides. Push down on one and push up on the other. This will release the drawer from the slides. Use 4 large bolts to connect to threaded holes on underside of desk. Once done, simply insert drawers back into the slides. They will snap in place.

Questions? Please call 1-800-443-5117.
Customer Service available 8:30 - 5:00 Central Time, Monday - Friday