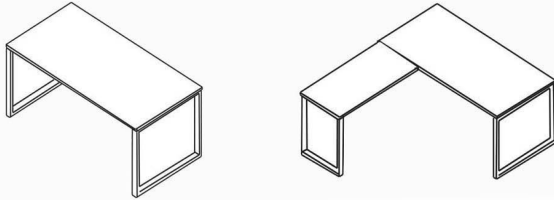


TrendSpaces Desk Series
Desk/Credenza Assembly Instructions

L-Desk Assembly Instructions

(PLT2472, PLT3066, PLT3672 & PLT2448
PLTLEGD2472, PLTLEGD30, PLTLEGD36 & PLTLEGD24)



List of Hardware:

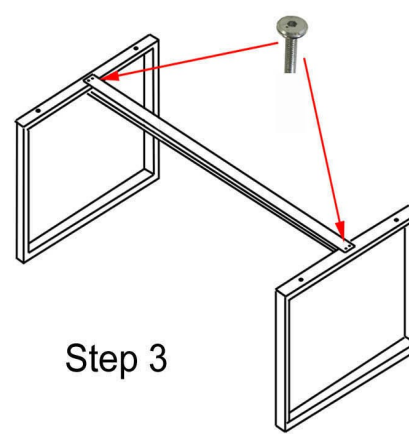
Part	Part
 Leveling Glide	 3/4" Bolt
 2" Bolt	 Bracket (for return desks only)
 Grommet	

Tools Needed:

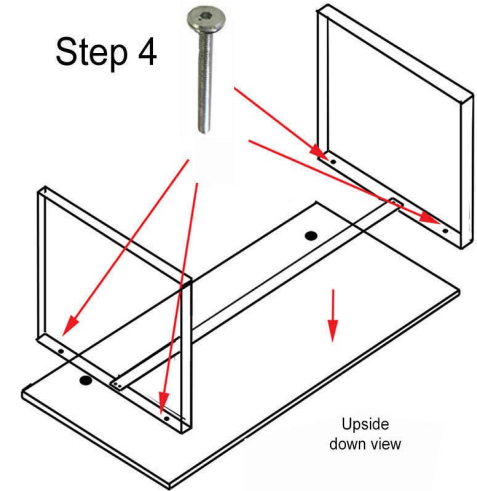
- Allen Wrench included (to connect bolts)
- A Helper

Desk or Credenza:

- 1.) Assemble on carpet or cardboard to protect parts during assembly. Assembly will require 2 people for safety.
- 2.) Screw in leveling glides on all frames.
- 3.) Next, assemble metal desk frame by attaching the cross beam to the left & right side legs. The bolts for the cross beam are already in the legs. Just back out, place beam and screw back in. Use 16 of the 3/4" bolts total for this step, 8 for each side.
- 4.) Use a total of 4 of the 2" Bolts to attach the metal frame to the worksurface. Once connected, insert the grommets.



Step 3

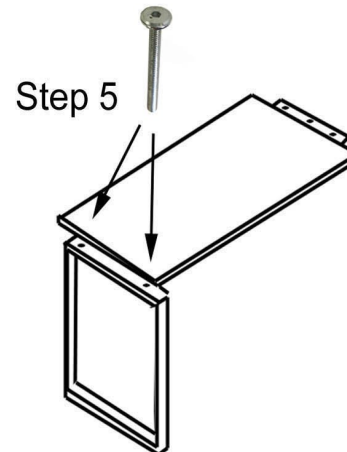


Step 4

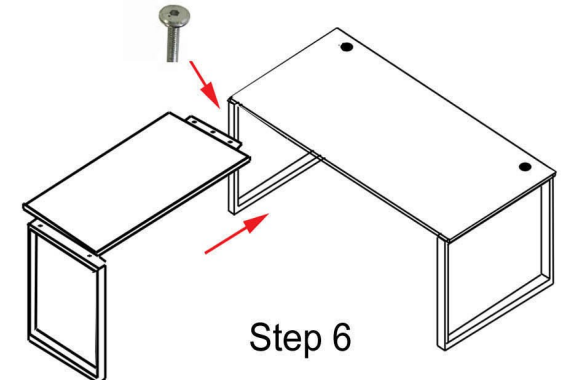
Upside down view

Return Desk:

- 5.) If you purchased an L-desk, attach the return desk end leg to the desktop with 2 more 2" Bolts, that are taped to the leg.
- 6.) The mounting bracket will already be installed on the return desktop. Use a total of 6 of the 3/4" Bolts to attach the bracket to the underside of the two worksurfaces.



Step 5

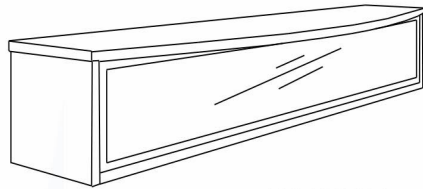


Step 6

Questions? Please call 1-800-443-5117.

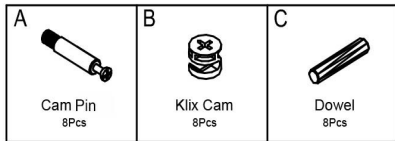
Customer Service available 8:30 - 5:00 Central Time, Monday - Friday

66"W White Riser Assembly Instructions

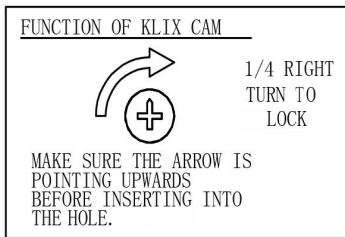


WH2067

List of Hardware:

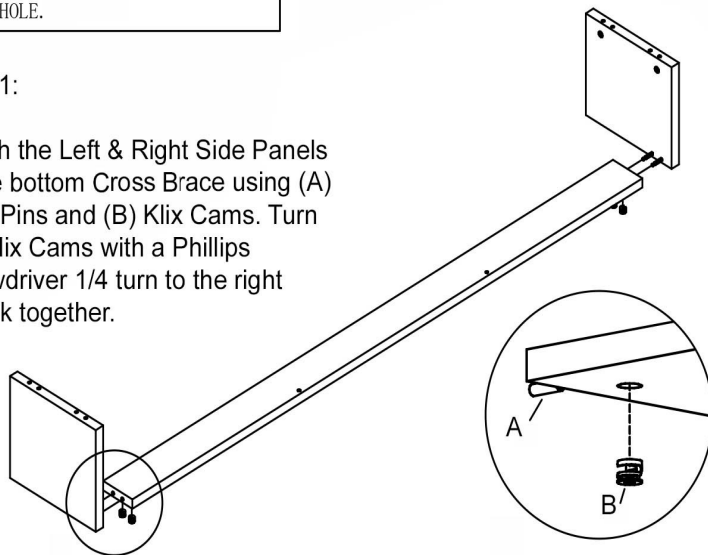


Tools Needed:
Phillips Screwdriver
A helper!



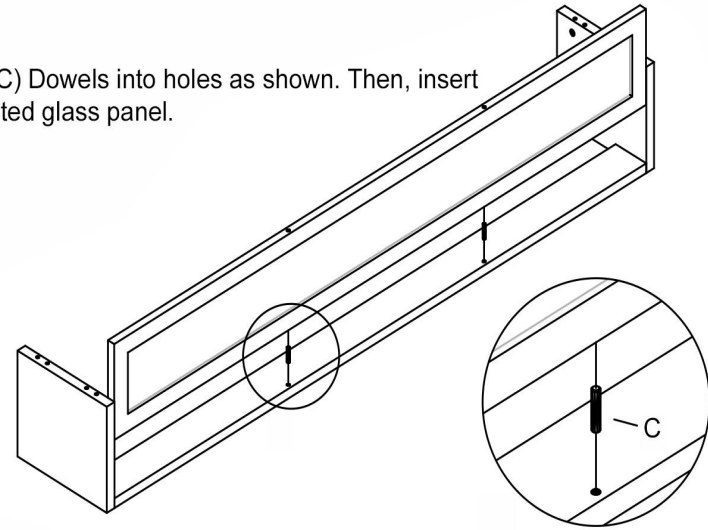
Step 1:

Attach the Left & Right Side Panels to the bottom Cross Brace using (A) Cam Pins and (B) Klix Cams. Turn the Klix Cams with a Phillips screwdriver 1/4 turn to the right to lock together.



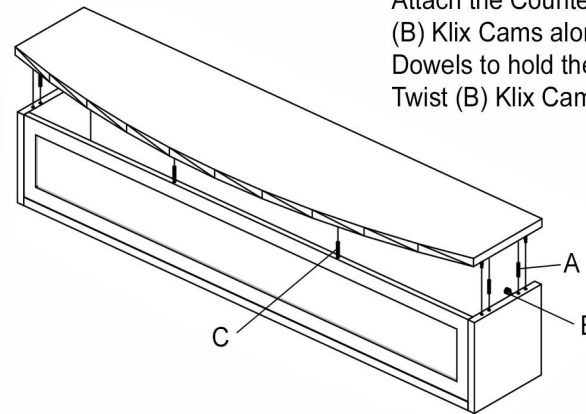
Step 2:

Insert (C) Dowels into holes as shown. Then, insert the frosted glass panel.

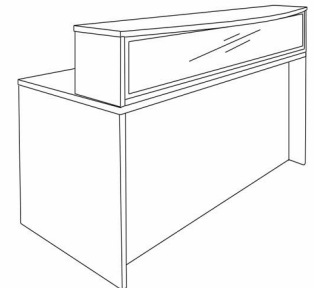


Step 3:

Attach the Counter Top using (A) Cam Pins and (B) Klix Cams along the Side Panels and (C) Dowels to hold the glass in place. Twist (B) Klix Cams to secure.



Step 4: Peel the backing off of the double sided tape that is located on the bottom of the Cross Brace. Press the riser down on the surface of the desk to adhere the riser. The double sided tape is a firm adhesion.



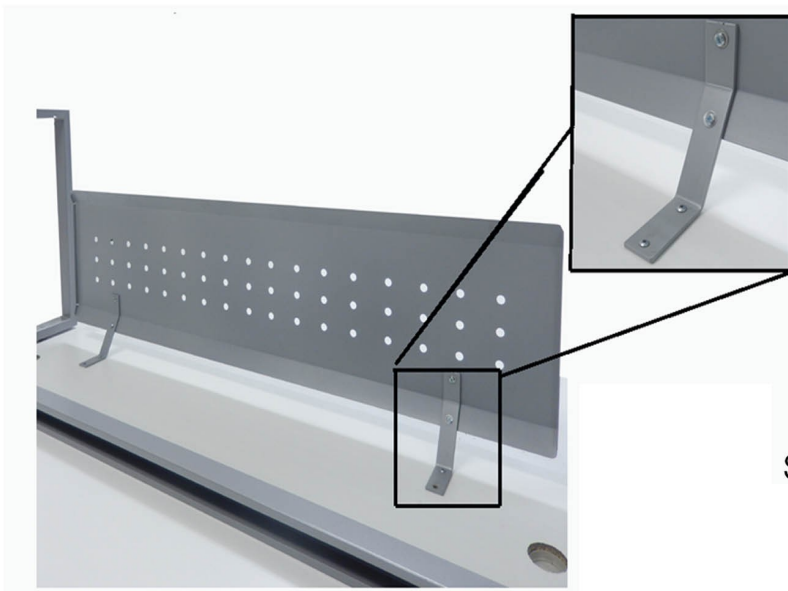
Questions? Please call 1-800-443-5117.

Customer Service available 8:30 - 5:00 Central Time, Monday - Friday

Y11129 Steel Modesty Panel Assembly Instructions (MMP6016-SLV)

Note: Holes are not predrilled on the underside of the worksurface due to the self-threading design of the pointed tip, coarse thread wood screws provided. The four wood screws will ensure a strong hold when screwed directly into the wood.

Positioning of the modesty panel is left to the personal preference of the user. It can either be placed flush to the front edge of the desk, or, set back several inches from the front edge.



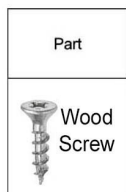
Step 1: Modesty Panel is easiest to attach when desk is upside down. Attach the two angled brackets to the modesty panel itself with the four bolts and washers provided. Screw silver caps on other side of panel once done.

Step 2: Next, measure your desktop and determine if you want your panel to overhang, be flush with, or be inset from the edge of the desktop. Line up modesty panel and mark holes where the angled bracket will be attached to the underside of the desk.

Step 3: Using a screwdriver or drill, attach the bracket by screwing the pointed wood screws into the underside of the desk, over the marks. Once done, with a helper turn the desk upright.

List of Hardware:

Tools Needed:



-Screwdriver or power screwdriver
-A Helper.