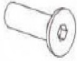

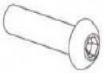









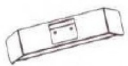
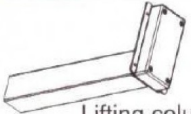


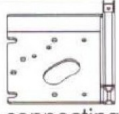
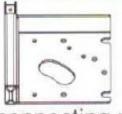

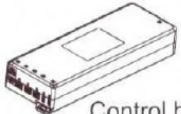

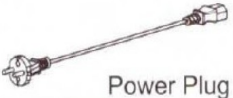
Technical data

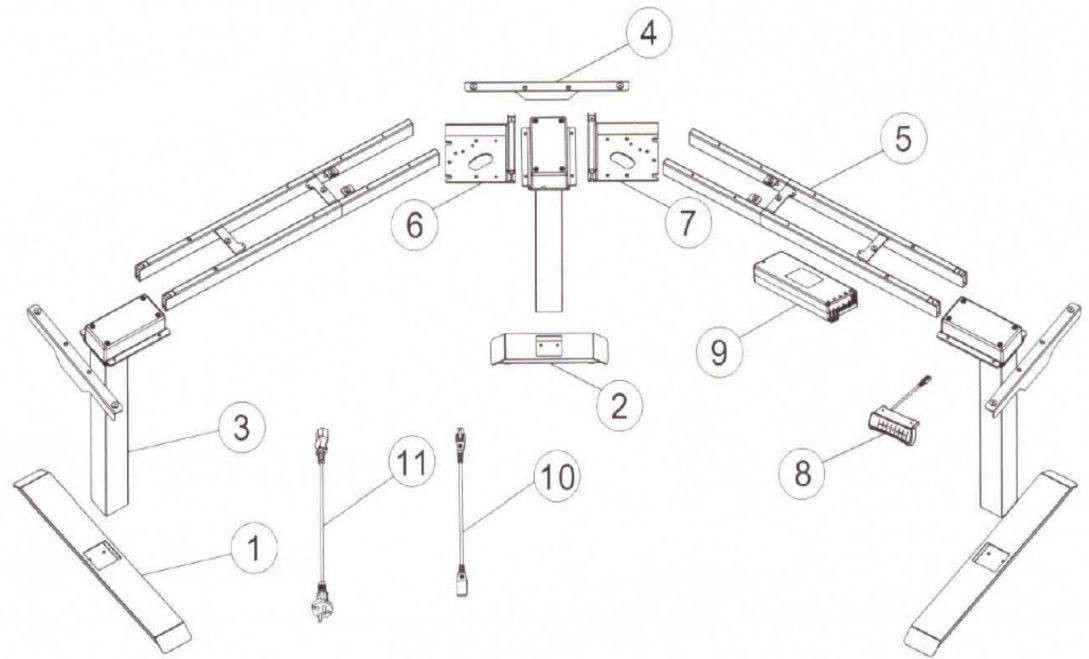
Column qty	3
Max Loading capacity	150KG
Height range	580-1230mm

Accessory list

No.	Image	Spec	Qty
A		M6	6
B		M6	8
C		M6	16
D		M6	12
E		M8	4
F		St4.2	24
G		St4.2	6
H		Wiring fixing seat	6
I		Wrench 4x4mm      Wrench (with cross) 5x5mm	1

## Component list

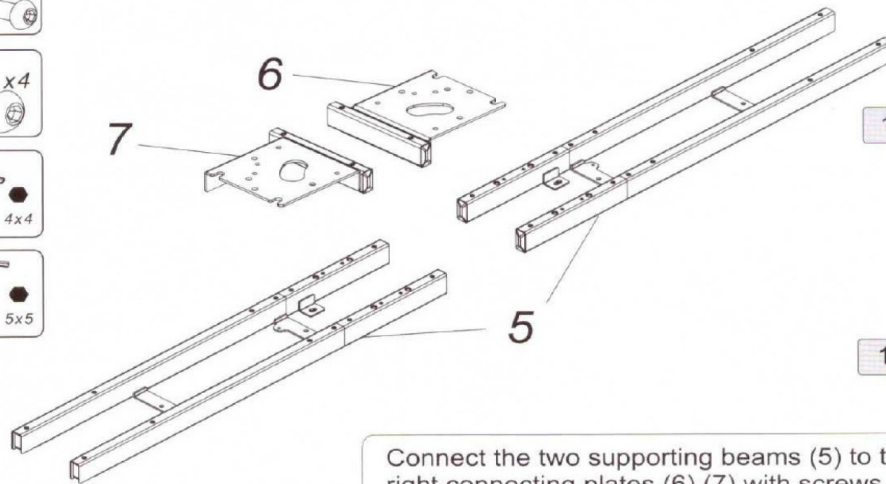
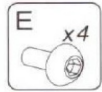
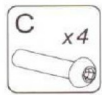
No.	Part	Qty	No.	Part	Qty
①	 Long feet	2	②	 Short feet	1
③	 Lifting column	3	④	 Supporting beam	3
⑤	 Supporting plate	2	⑥	 Left connecting plate	1
⑦	 Right connecting plate	1	⑧	 Hand Switch	1
⑨	 Control box	1	⑩	 Cable	1
⑪	 Power Plug	1			



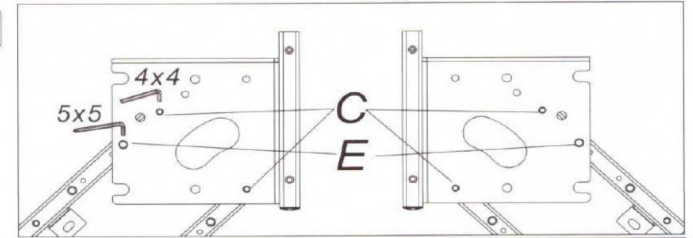
Note: This standing desk has three angle installation methods, 90°, 120° and 180°

## STEP 1

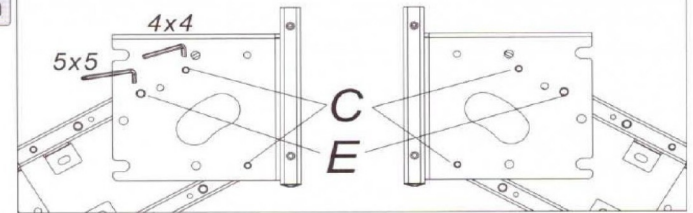
Install left and right connecting plates



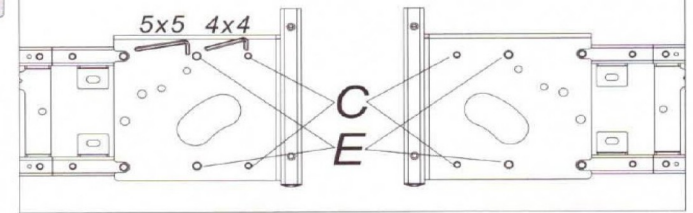
90° Installation



120° Installation



180° Installation



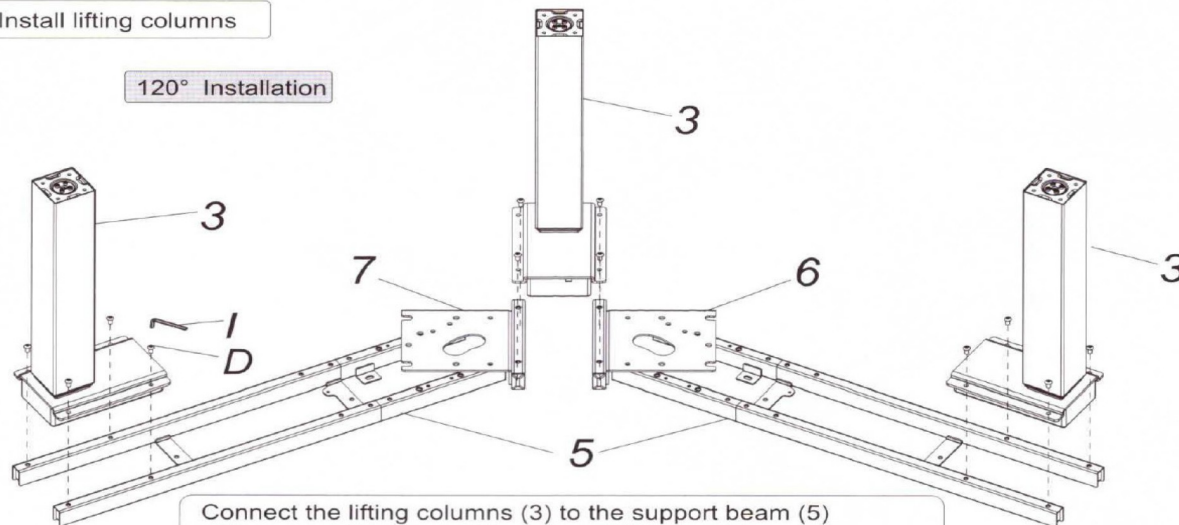
Connect the two supporting beams (5) to the left and right connecting plates (6) (7) with screws (C) and (E) respectively. There are three angles to choose at will, and finally tighten them with a wrench (I)

## STEP 2

Install lifting columns



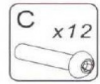
120° Installation



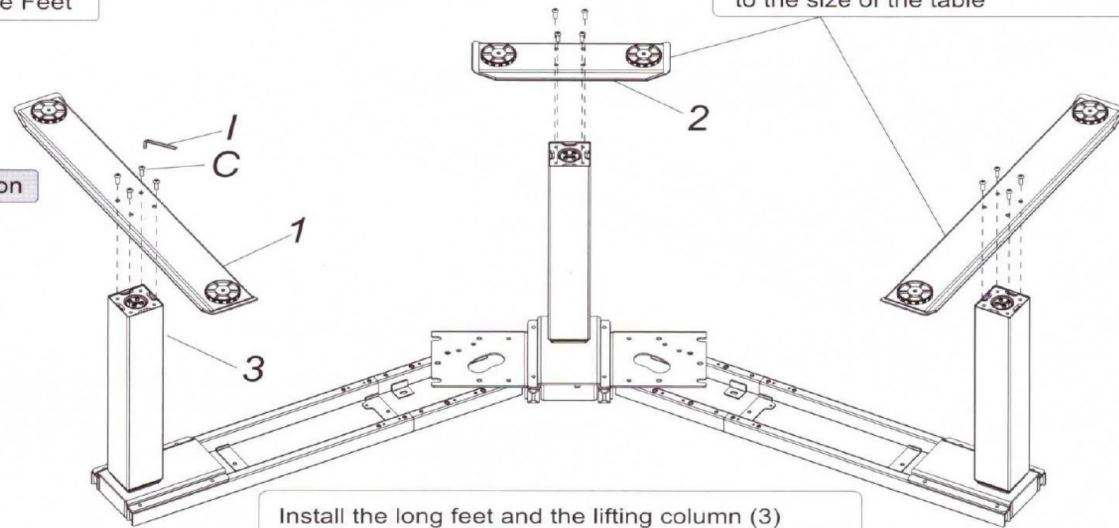
Connect the lifting columns (3) to the support beam (5) with screws (D), the middle column (3) to the left and right connecting plates (6) (7), and the wrench (I) to tighten the screws; 90° and 180° are installed in the same way as 120°.

### STEP 3-1

Install the Feet



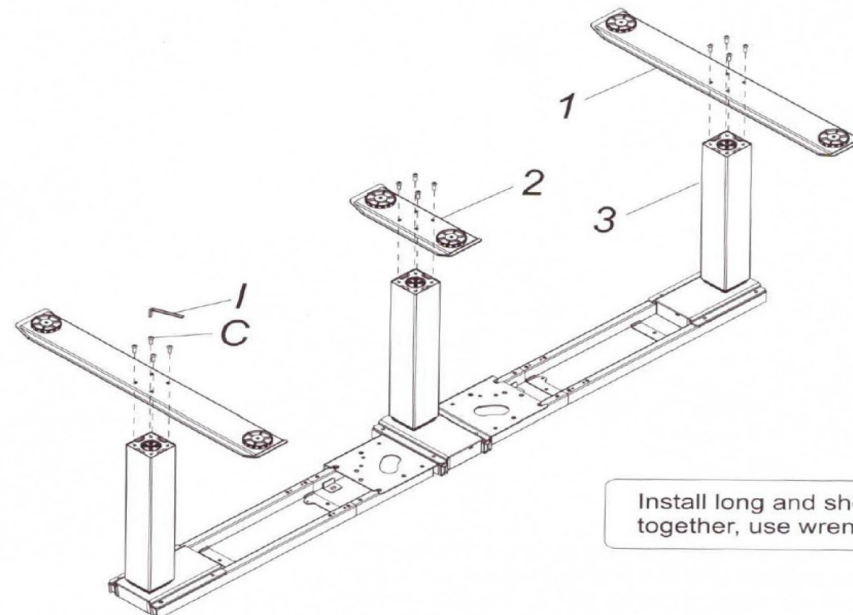
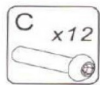
90° and 120° installation



Install the long feet and the lifting column (3) together, use wrench (I) to tighten the screws (C).

### STEP 3-2

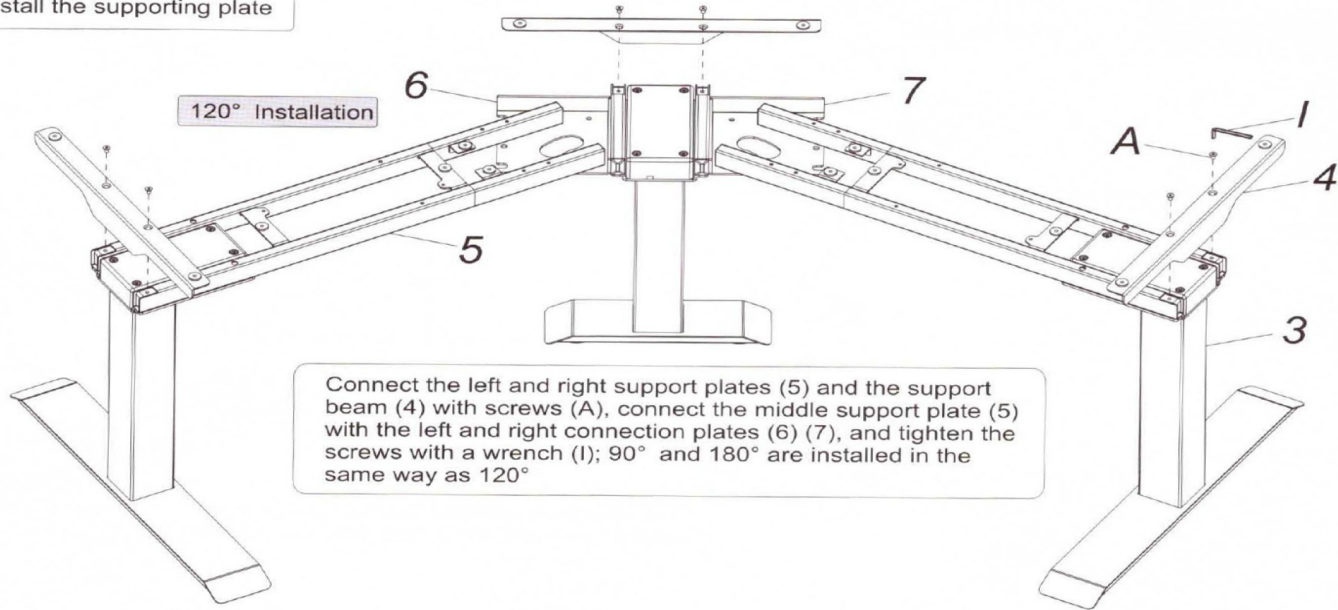
180° Installation



Install long and short the feet(1)(2) and the lifting column (3) together, use wrench (I) to tighten the screws (C).

## STEP 4

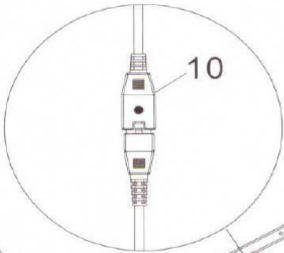
Install the supporting plate



Connect the left and right support plates (5) and the support beam (4) with screws (A), connect the middle support plate (5) with the left and right connection plates (6) (7), and tighten the screws with a wrench (I); 90° and 180° are installed in the same way as 120°

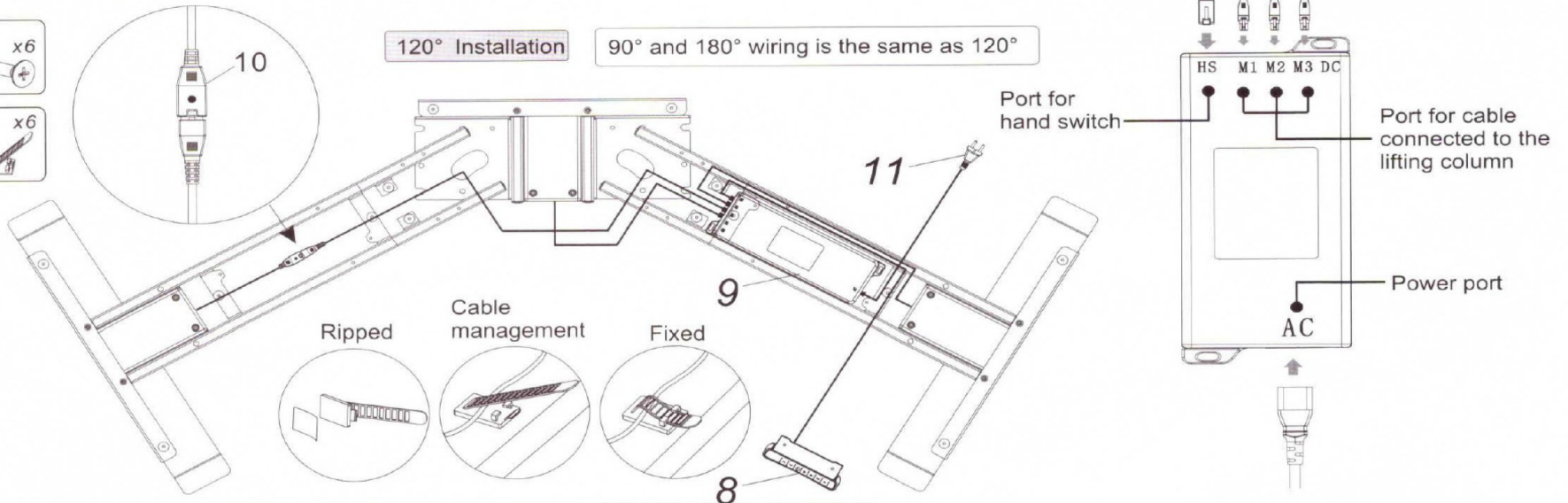
## STEP 5

Connect All the Cables onto the Control Box



120° Installation

90° and 180° wiring is the same as 120°

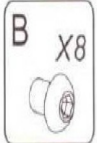
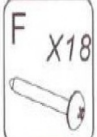


The wiring fixing seat (H) can be glued to the desk board, and can also be screwed to the desk board with screws (G)

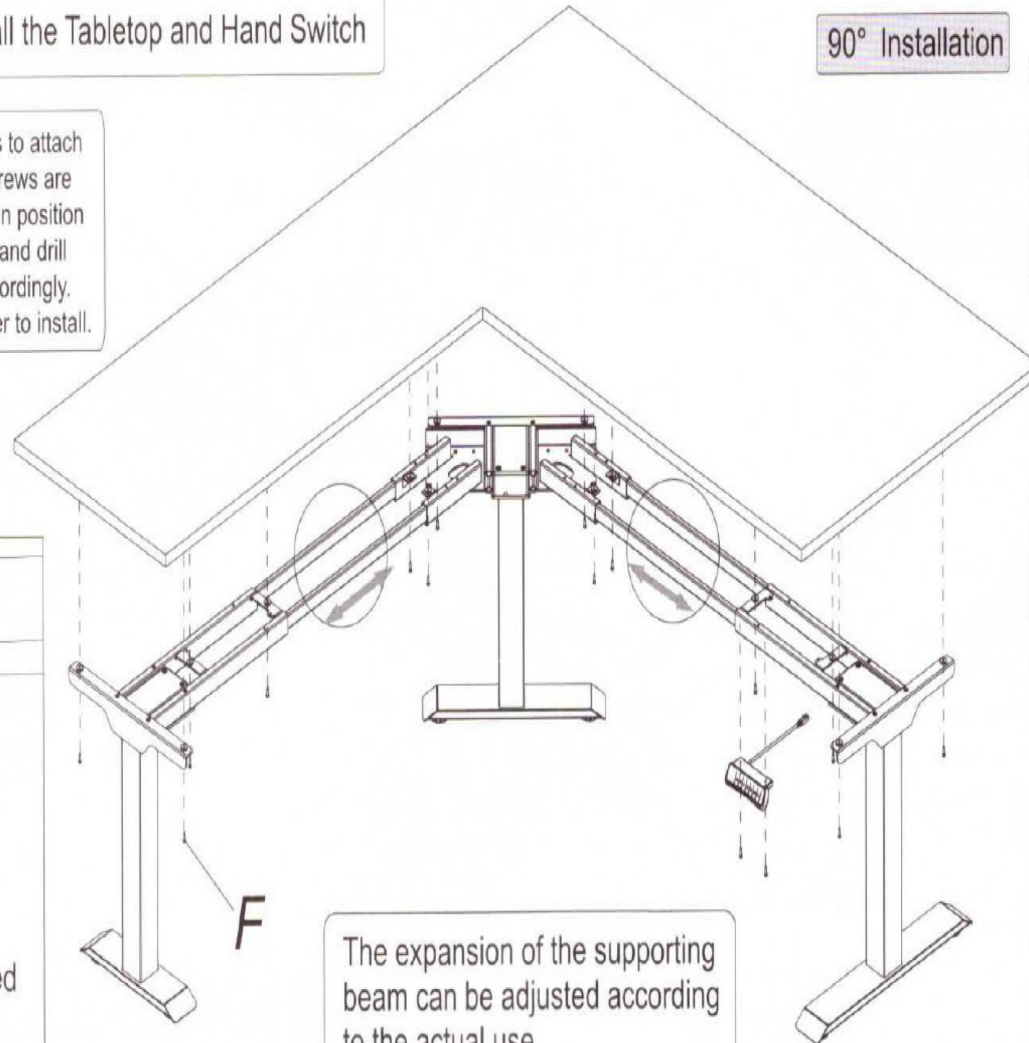
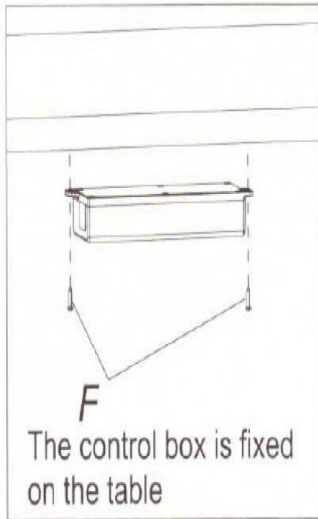
# STEP 6-1

Install the Tabletop and Hand Switch

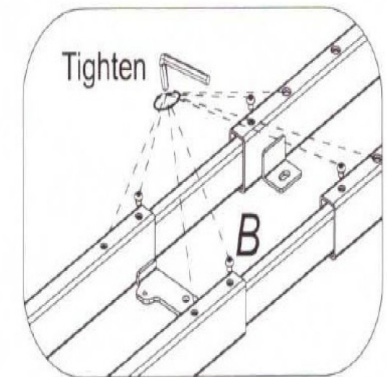
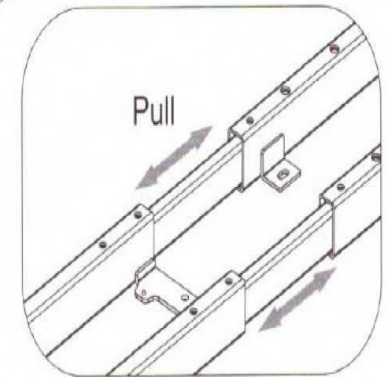
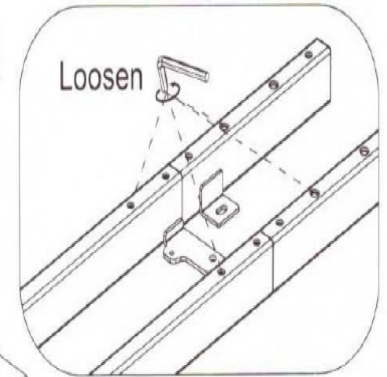
90° Installation



Use (F) wood screws to attach desktop(s). Wood screws are self-drilling so you can position top(s) how you like and drill your own holes accordingly. Use power screwdriver to install.



The expansion of the supporting beam can be adjusted according to the actual use.



# Office Panel Installation Instructions

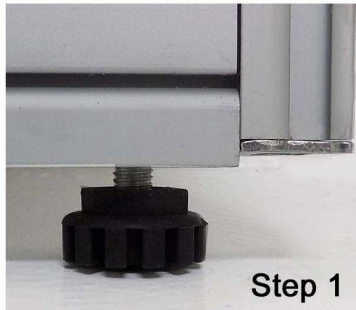
For Modern Office Value and Premium Series Office Panels and Cubicles.  
 This guide explains how to connect the panels together.

Tools Needed: Phillips Screwdriver, Rubber Mallet, WD-40 and Clean Hands!     Hardware Included: Each Panel includes Mounting Brackets. End Strips provided for end of panel runs.

## Important Assembly Tips:

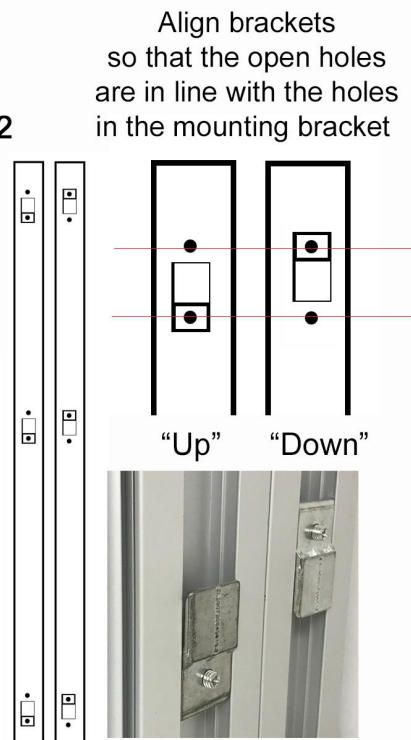
- \* If needed, use of a lubricant such as WD-40 in the side track may ease the process of removing and replacing mounting brackets, as well as sliding in end strips if an overly tight fit. Be careful not to overspray lubricant onto the fabric.
- \* Mounting brackets should only be very loosely attached. The pointed Phillips set screw attached to the brackets is merely for bracket positioning. Leaving the brackets as loose as possible will allow the connections to fit together properly.
- \* When installing an arrangement of panels, installation will be easier if the brackets of the first panel have the opening facing upward (see diagram below). This way, the next panel bracket drops into the receiving bracket, rather than having to lift the first panel off the floor for the connection.
- \* [See our Panel Installation Video under Assembly Instructions: "How to Assemble Office Panels" or at the link: https://www.modernofficefurniture.com/office-furniture-assembly-instructions.html](https://www.modernofficefurniture.com/office-furniture-assembly-instructions.html)

Step 1) Screw in two leveling glides into the base of each panel.

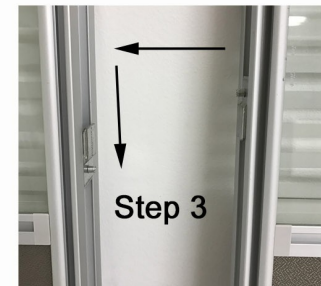


Step 2) 48"H panels require a total of four brackets (2 in each side track) and the 67"H panels require six brackets (3 in each side track) for connecting to another panel or connector post. Insert the mounting brackets into each side track, with the brackets on the first panel in the 'up' position. The brackets on the next connecting panel should be in the 'down' position on the connecting side. Align the brackets evenly as shown. See diagrams.

### Step 2



Step 3) Slide your second panel into your first panel by slightly tipping the second panel and dropping the brackets down into the first panel. Brackets will fit together. Repeat Steps 1 & 2 as needed.



Step 4) Connector Posts will need 3 mounting brackets per side/connection and attach in same method as panels.

Step 5) Use the plastic end strips at the end of each panel run for a finished appearance. Do not add any mounting brackets in the rails when using the end strips.

Step 6) Cable troughs can be opened by inserting a straight blade screwdriver into the side or top edge to pop the door open.