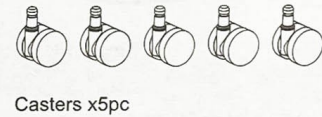
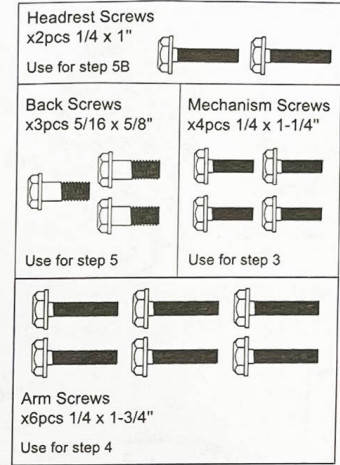
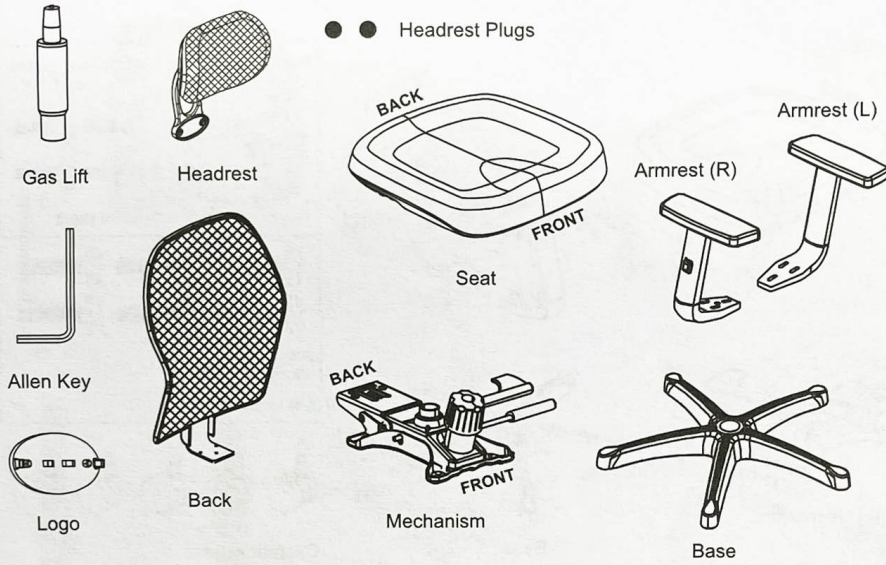




## Y13363 - AirFitt Chair Assembly Instructions

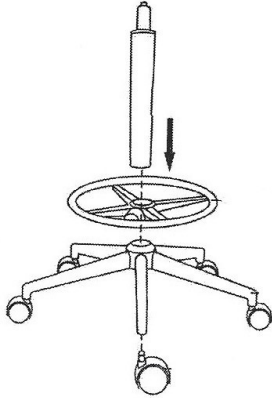


### Assembly Steps:

<p><b>Step 1: Attach Casters to Base</b></p>	<p><b>Step 2: Insert Gas Lift</b></p>	<p><b>Step 3: Attach Mechanism to Seat</b></p>
<p><b>Step 4: Attach Arms to Seat</b></p>	<p><b>Step 5: Attach Back to Seat</b></p> <p><b>Step 5B (with headrest): Attach Headrest to Back</b></p>	<p><b>Step 6: Attach Gas Lift to Seat</b></p> <p><b>Step 6B (with headrest)</b></p>

# BT-6336 / Stool Kit

## Assembly Diagram



### \*\*\*\*Warning\*\*\*\*

**Reclining while seated at an elevated height can be a tip hazard. For safety, it is recommended that the forward tilt lock be engaged while at taller seated heights.**