

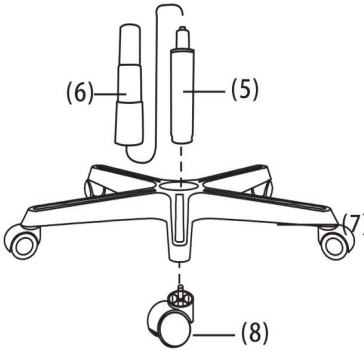
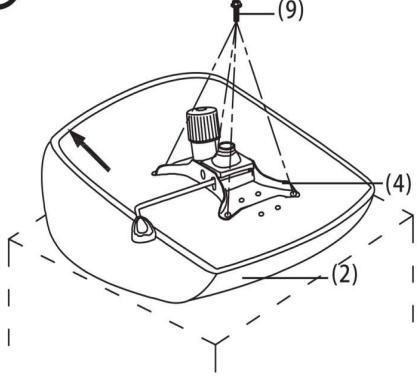
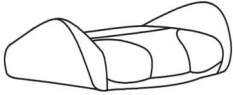

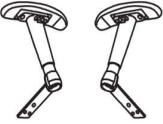

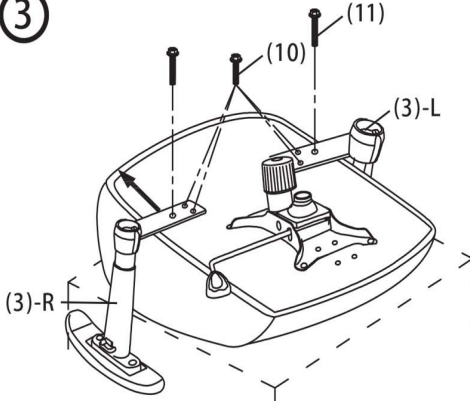
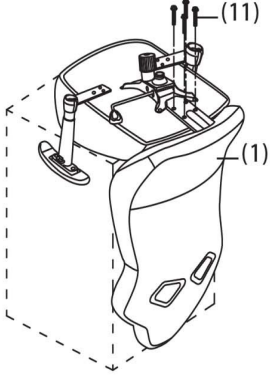
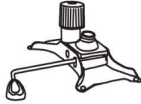
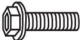
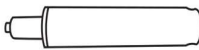
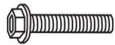






Swivel Chair Assembly Instructions

(1)X1 	(7)X1 	① 	② 
(2)X1 	(8)X5 		
(3)X1(L)X1(R) 	(9)X4 	③ 	④ 
(4)X1 	(10)X4 		
(5)X1 	(11)X6 	⑤ 	⑥ 
(6)X1 	(12)X1 		

Questions? Call Customer Service at 1-800-443-5117, Monday - Friday 8:30 AM to 5:00 PM Central Time

www.modernofficefurniture.com