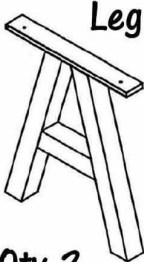
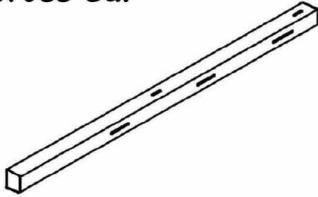



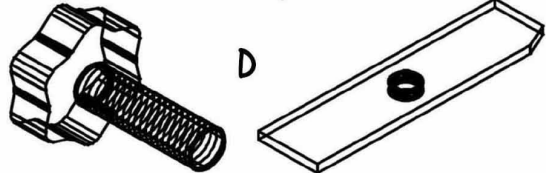
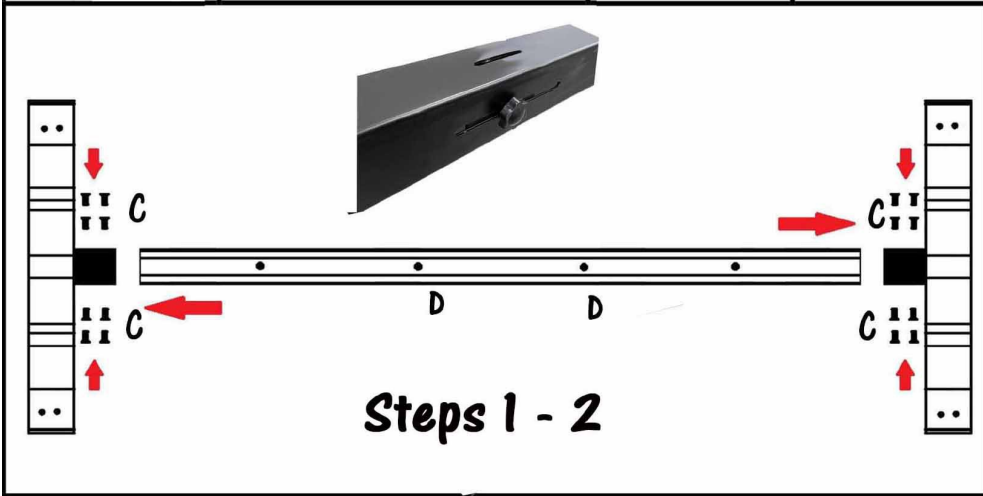


A-Frame Series Desk Assembly Instructions

Questions: Call 1-800-443-5117, 8:30-5, Central Time, Mon-Fri

 <p>Leg</p> <p>Qty 2</p>	 <p>Cross Bar</p> <p>Qty 1</p>	 <p>Wood Screw A</p> <p>Qty 4</p>	 <p>Top to Leg Bolts B</p> <p>Qty 4</p>	 <p>Cross Beam Bolts C</p> <p>Qty 16</p>	 <p>Knob / Spacer Set D</p> <p>Qty 2 Sets</p>
--	--	---	--	--	---

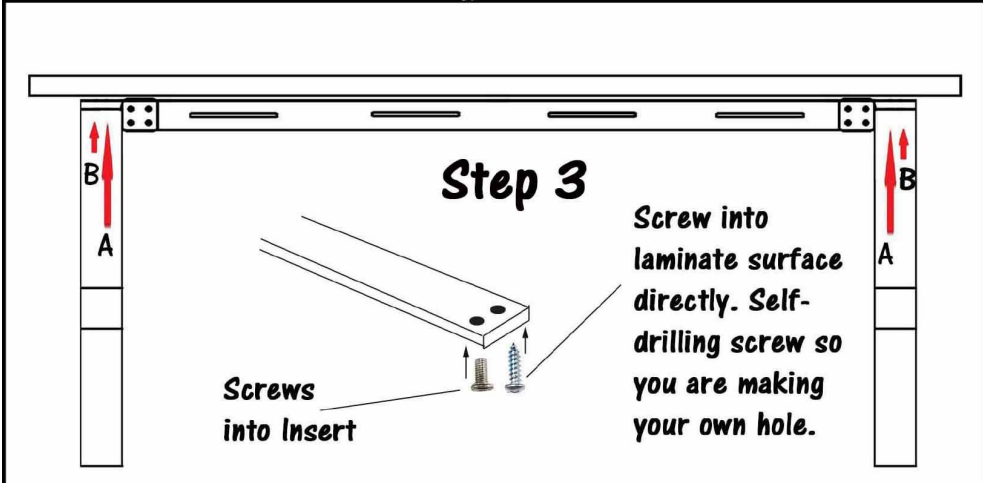


Step 1) Attach Cross Beam to Legs using 16 C Screws, 4 in each corner.

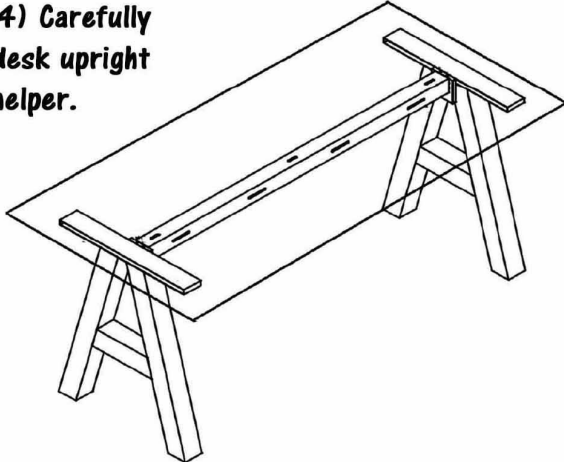
Step 2)- Desk frame is width adjustable. Space out your frame to your desired width (66"W or 71"W) and add the D - Knobs & Spacers to tighten in place. (See Picture Left)

Step 3) Time to attach the desktop to the frame. In each corner, use one A self-threading Wood Screw on the inside holes of the desk frame. Once those are installed, attach the B Bolts through the outside holes.

Assemble the desk in this step upside down.

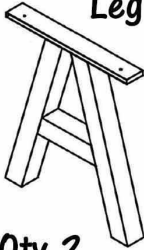
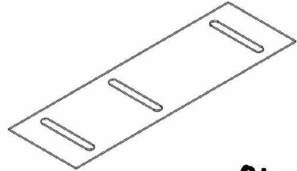



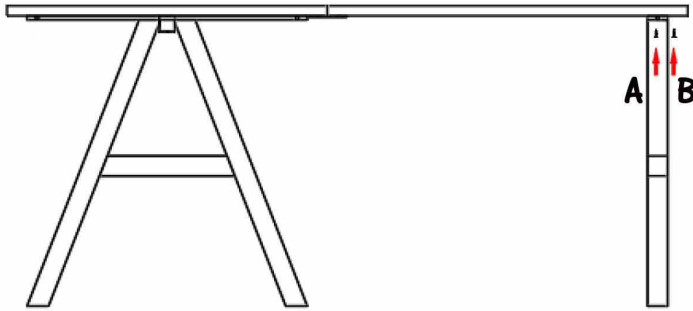
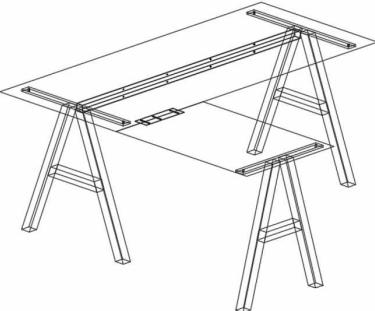

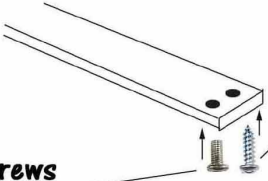


Step 4) Carefully turn desk upright with helper.



A-Frame Series Desk Assembly Instructions

Questions: Call 1-800-443-5117, 8:30-5, Central Time, Mon-Fri

 <p>Leg</p> <p>Qty 2</p>	 <p>Flat Bracket</p> <p>Qty 1</p>	 <p>Wood Screw A</p> <p>Qty 2</p>	 <p>Top to Leg Bolt B</p> <p>Qty 2</p>	 <p>Bolts for Flat Bracket C</p> <p>Qty 6</p>	<p>Tip</p> <p><i>* Make sure the desk the return is connecting to is already assembled!</i></p>
				<p>Step 1) Attach Flat Bracket to your return worksurface using 3 of the 6 'C' Bolts.</p> <p>Step 2) Attach the A Frame Leg to your return worksurface Using 'A', Self-Threading Wood Screws on the inside holes and 'B', Leg Bolts on the outside holes.</p> <p>Step 3) Attach the Flat Bracket to underneath the left or right side of the worksurface, depending on if you are wanting a Left or Right Hand Return. Use 3 "C" Bolts. Then, bring your assembled return desk over and set on the bracket. Use the last 3 "C" Bolts to attach the return.</p>	
<p><u>Left Hand Return</u></p> 		<p><u>Right Hand Return</u></p> 		 <p>Screws into Insert</p> <p>Screw into laminate surface directly. Self-drilling screw so you are making your own hole.</p>	