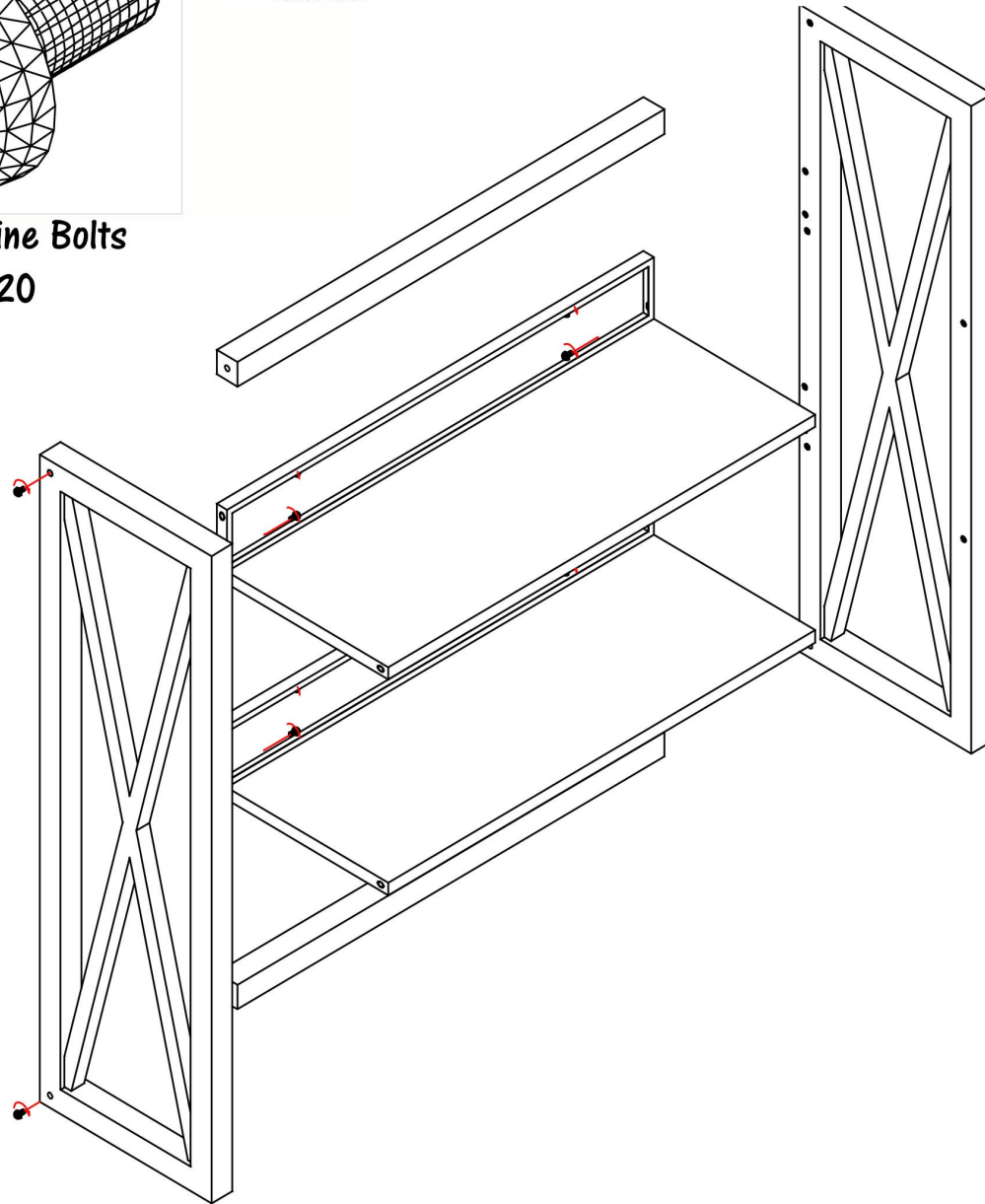


M16 Machine Bolts
Qty 20



36"W Metal Hutch Assembly Instructions

Questions: Call 1-800-443-5117, 8:30-5, Central Time, Mon-Fri



Step 1) Assemble on carpet or cardboard to protect during assembly.

Step 2) Start with one Side Frame and attach all shelves and cross beams, starting with the bottom cross beam and assembling the shelves and other beams from there. Use the M16 Bolts and Allen Wrench Included.

Step 3) Attach the other Side Panel using same hardware.

Step 4) Optional: Double Sided Tape is pre-applied to the bottom of the side panels. To secure to your surface, peel off the back and carefully place the hutch onto the surface.

