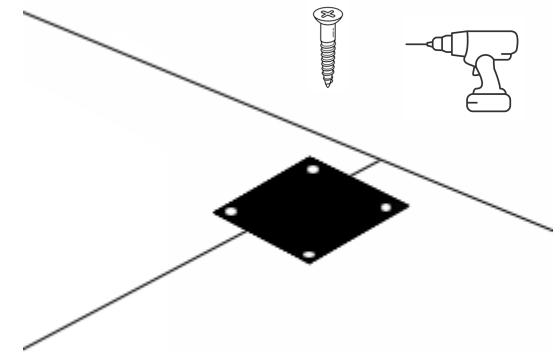
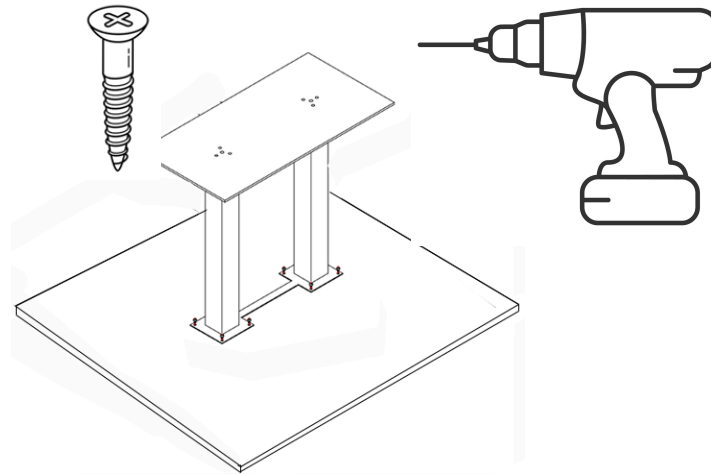
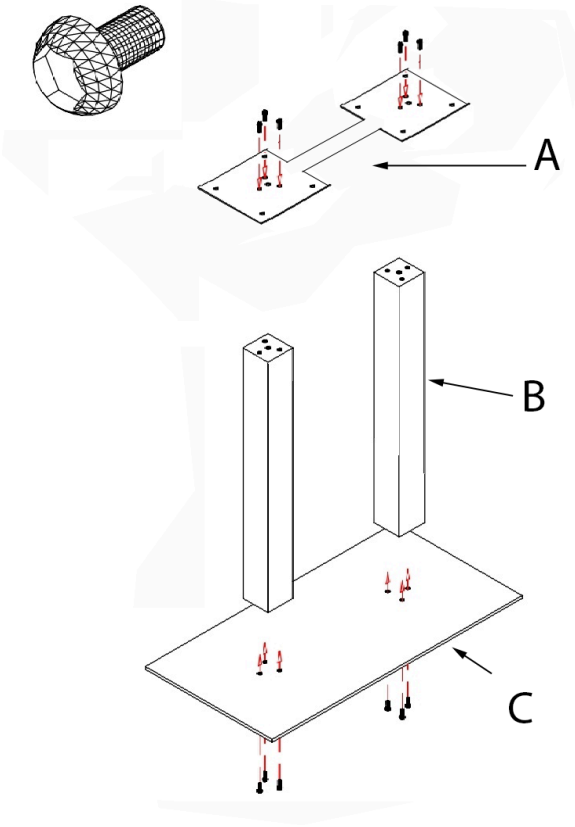


Dual Column Base Modular Table Assembly Instructions



Special Note: The table tops for this series are used with several different table bases. Due to this, you will notice inserts on the underside of the tops. **Please disregard the inserts** as they are for a different type of base mount.

Assemble your table and dual column base using the self-threading wood screws provided with the base. Center the base on the underside of the table top and using a power screwdriver, firmly attach. Use the bracket plates provided for connection of table tops to each other.



Questions? Call Customer Service at 1-800-443-5117 Mon-Fri, 8:30-5PM Central Time or email at CustomerSvc@ModernOfficeFurniture.com