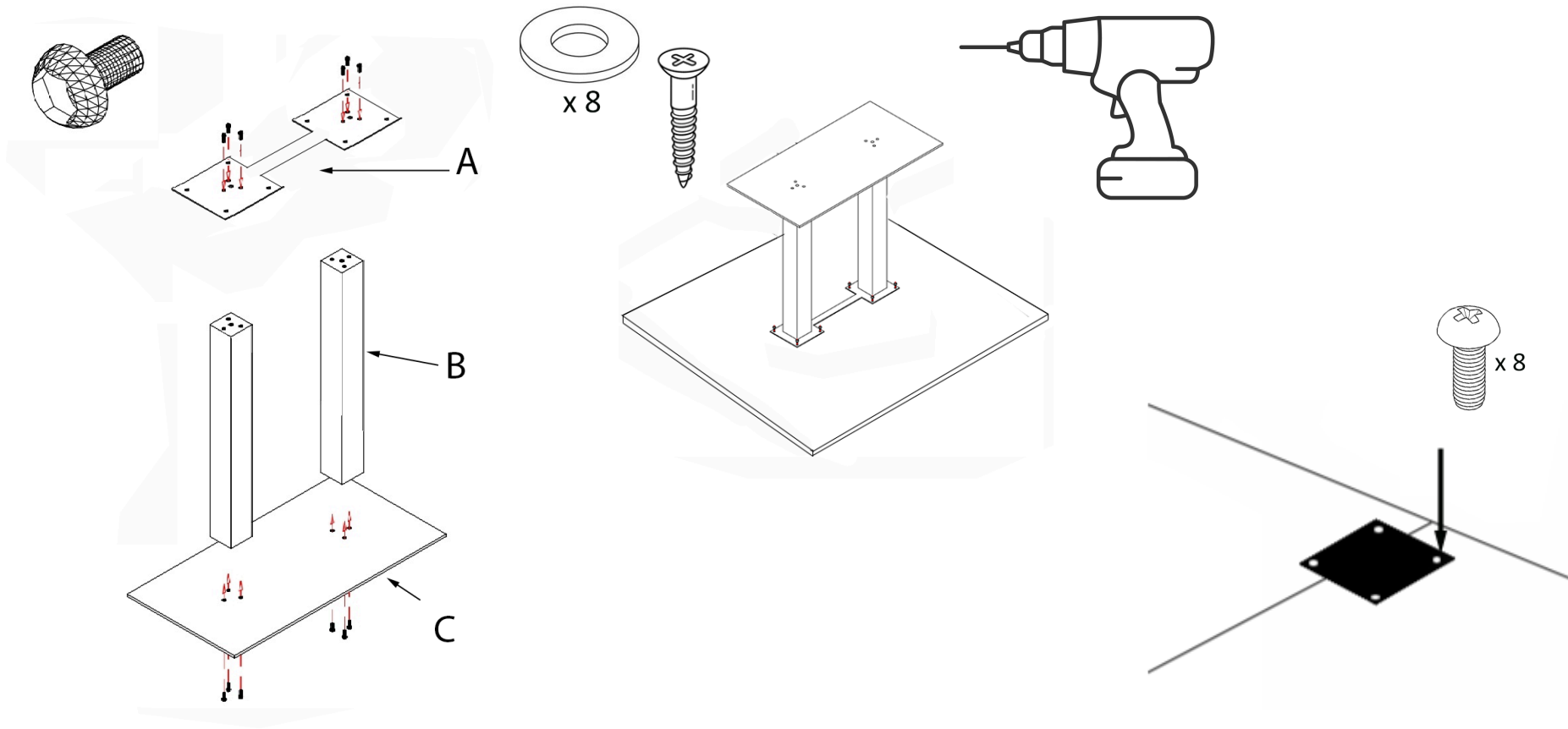


Dual Column Base Modular Table Assembly Instructions



Special Note: The table tops for this series are used with several different table bases. Due to this, you will notice inserts on the underside of the tops. **Please disregard the inserts** as they are for a different type of base mount.

Assemble the dual column bases using the machine screws provided. Once assembled, center the base on the table top and attach using the self-drilling wood screws for a firm and solid connection. You are making your own holes for this step. Use the bracket plates & machine screws provided for connection of table tops to each other. Use the predrilled inserts and overlap the bracket over the seam of the table tops, securing with four screws each.



Questions? Call Customer Service at 1-800-443-5117 Mon-Fri, 8:30-5PM Central Time or email at CustomerSvc@ModernOfficeFurniture.com