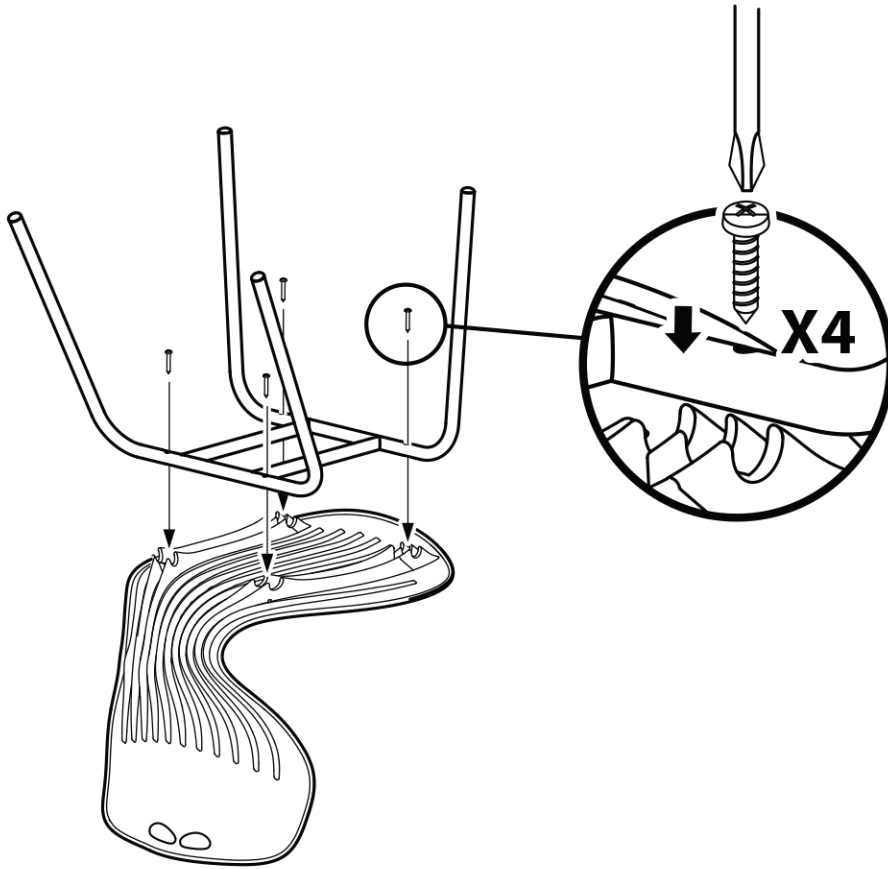


Y14080 - 4-Leg Armless Stack Chair Assembly Guide

Tools Needed: Phillips Screwdriver



1.) Rest the shell upside down on a table for support during assembly. Insert screws as shown.



Questions? Please call 1-800-443-5117.

Customer Service available 8:30 - 5:00 Central Time, Monday - Friday