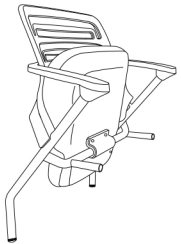
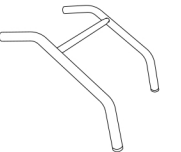





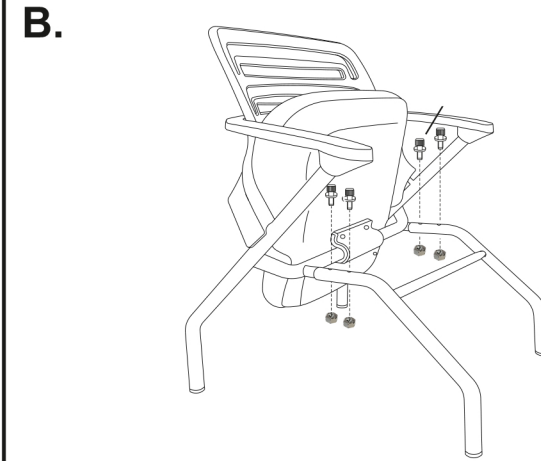
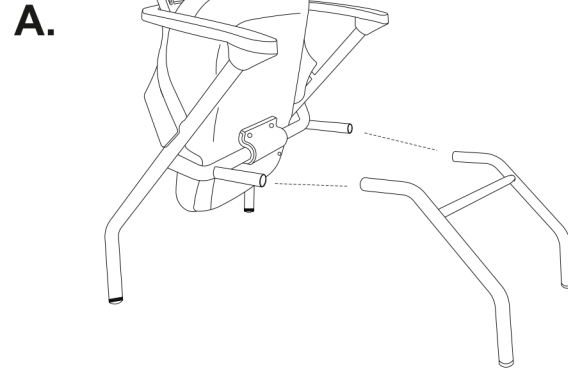


ITEM NAMES	LIST OF COMPONENTS	QTY
BACK + SEAT		1
METAL LEG		1
CASTOR WHEEL		4
ALLENKEY		1
6X35MM BOLT		4
M6 NUT		4
WASHER		4



Assembly Video

