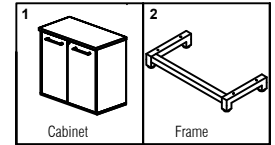
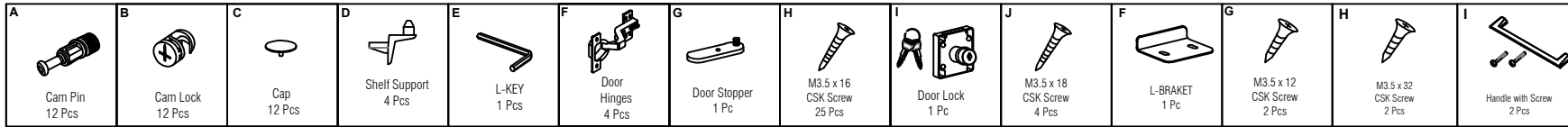


Assemble on cardboard or carpet for protection during assembly. 2-person assembly team suggested.

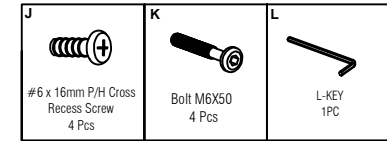
COMPONENTS



HARDWARE

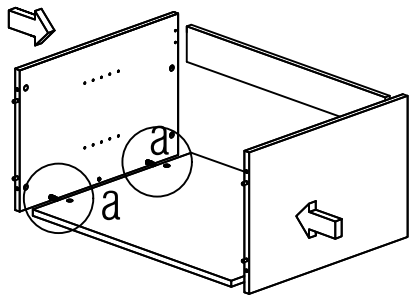


PACKED WITH MX2 LCS750

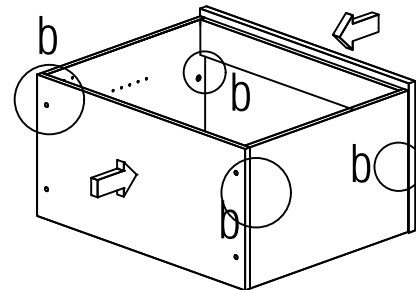


PACKED WITH MX2 MLB8042

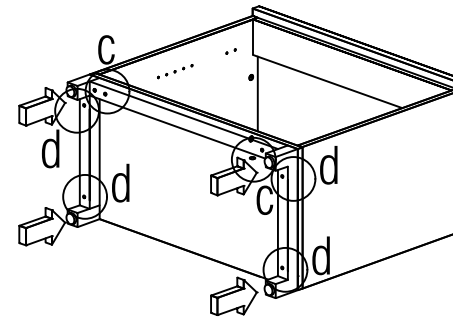
STEP 1



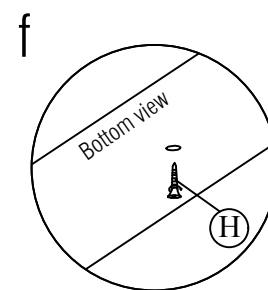
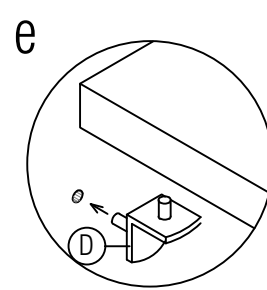
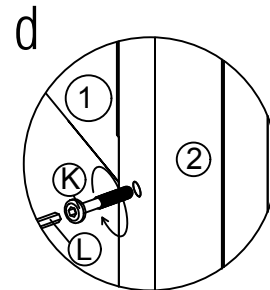
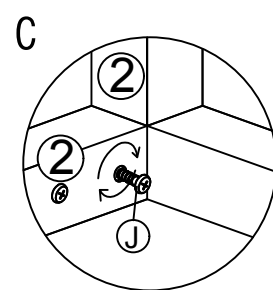
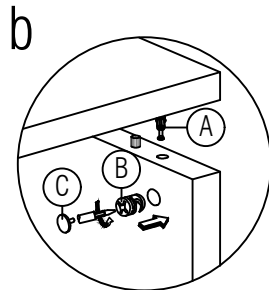
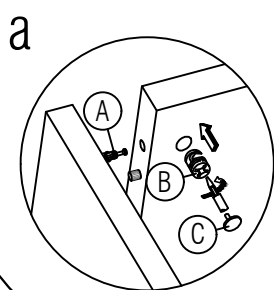
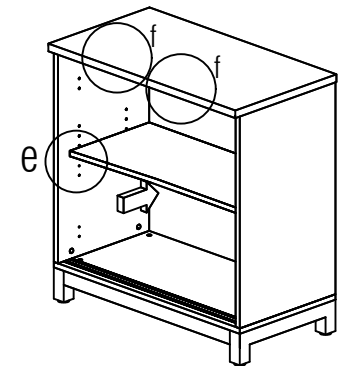
STEP 2

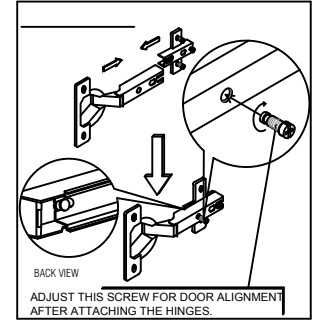
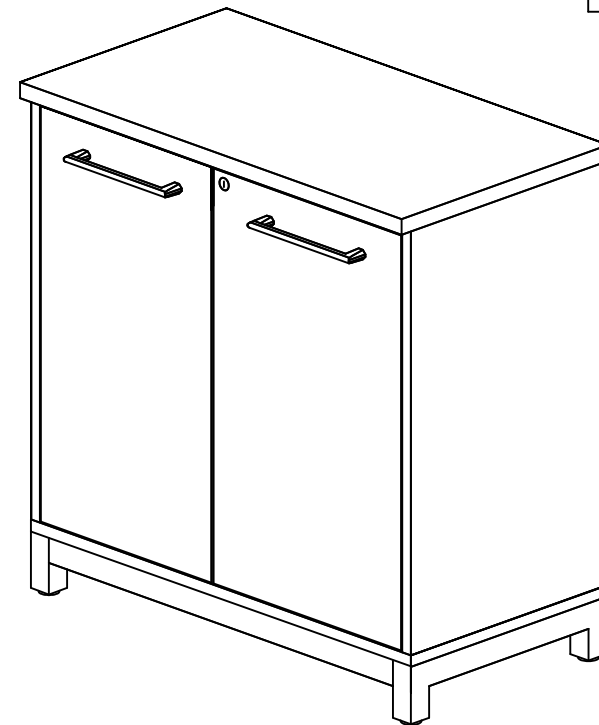
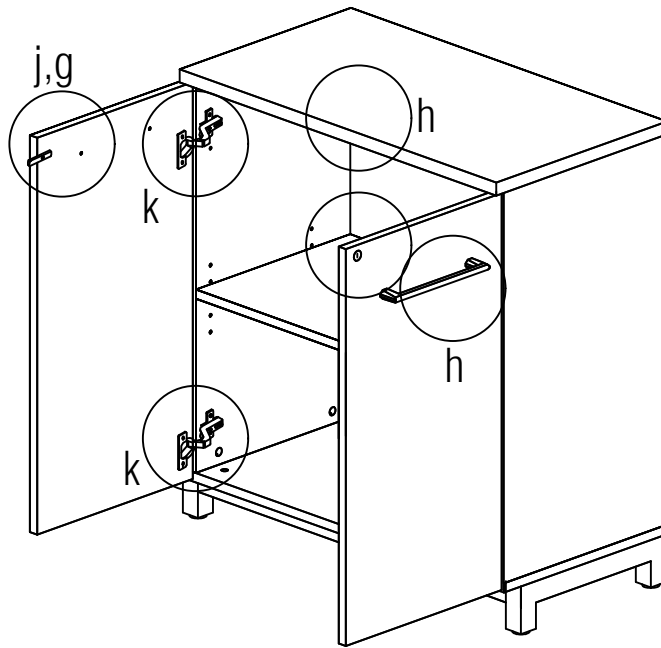
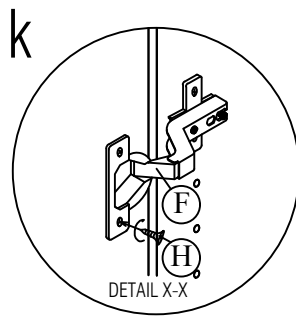
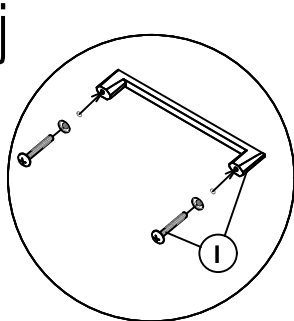
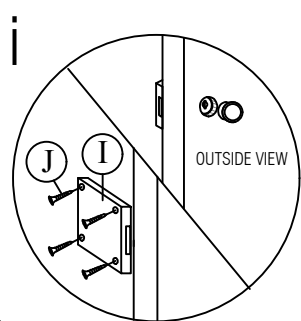
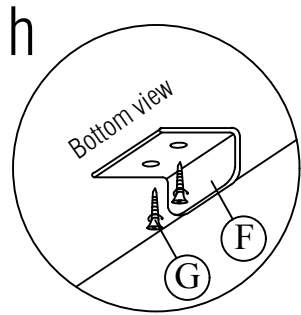
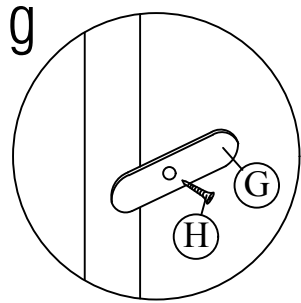


STEP 3



STEP 4





* ADJUST THIS BRACKET FOR ALIGNMENT THE LOCK AFTER ATTACHING THE DOOR.

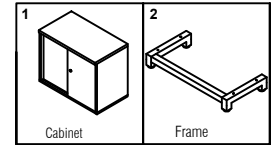
Assembly Instructions

Contrasts Rustic Sliding Door Cabinet

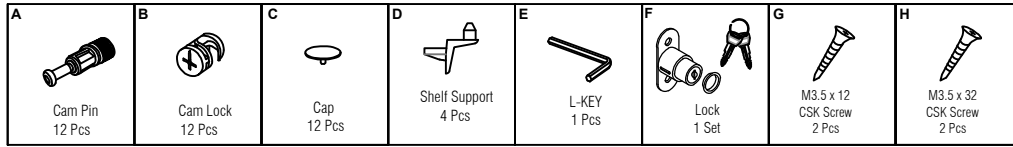
Questions?
Call Customer Service at
1-800-443-5117, Mon-Fri, 8:30 - 5PM Central Time
or email at
CustomerSvc@ModernOfficeFurniture.com

Assemble on cardboard or carpet for protection during assembly. 2-person assembly team suggested.

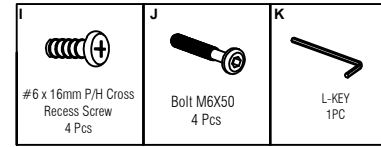
COMPONENTS



HARDWARE

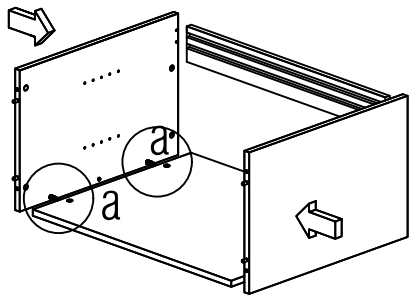


PACKED WITH MX2 LCS750

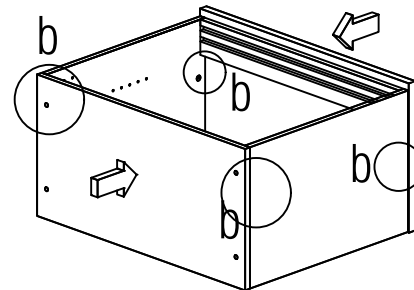


PACKED WITH MX2 MLB8042

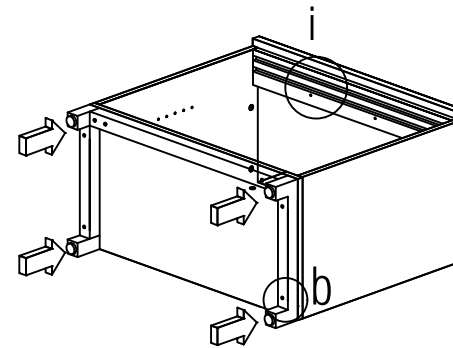
STEP 1



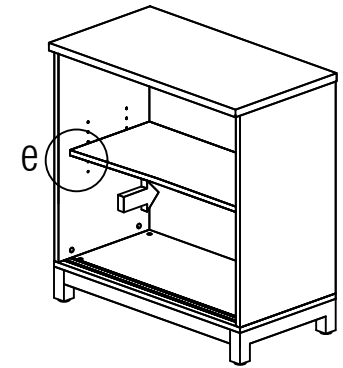
STEP 2



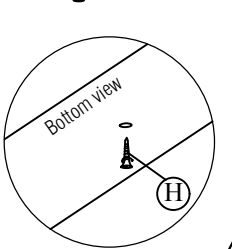
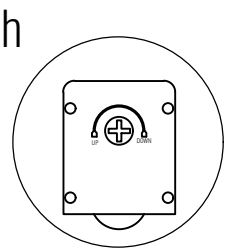
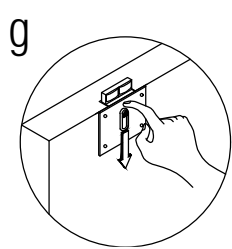
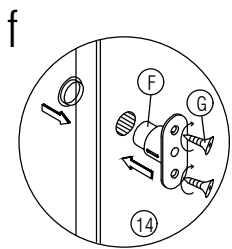
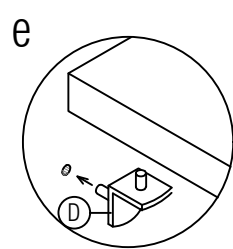
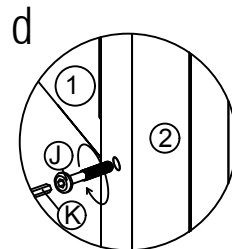
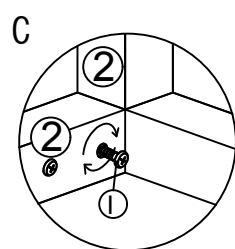
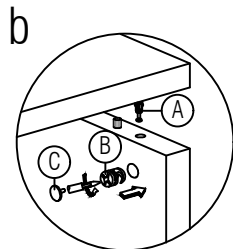
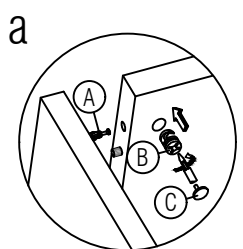
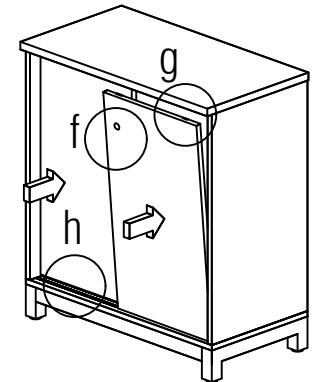
STEP 3



STEP 4









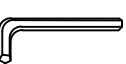


STEP 5



Assemble on cardboard or carpet for protection during assembly. 2-person assembly team suggested.

HARDWARE

<p>A</p>  <p>Cam Pin 27 Pcs</p>	<p>B</p>  <p>Cam Lock 27 Pcs</p>	<p>C</p>  <p>Cap 27 Pcs</p>	<p>D</p>  <p>Screw #3.5 x 16mm 24 Pcs</p>	<p>E</p>  <p>Screw #6X5/8 CSK RATTAN 12 Pcs</p>	<p>F</p>  <p>Shelf Support 4 Pcs</p>	<p>G</p>  <p>Door Hinges 4 Pcs</p>	<p>H</p>  <p>L-Bracket 6 Hole 2 Pcs</p>	<p>I</p>  <p>Allen-Key 1 Pc</p>
---	--	---	---	---	--	--	---	---

