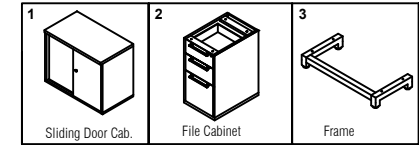
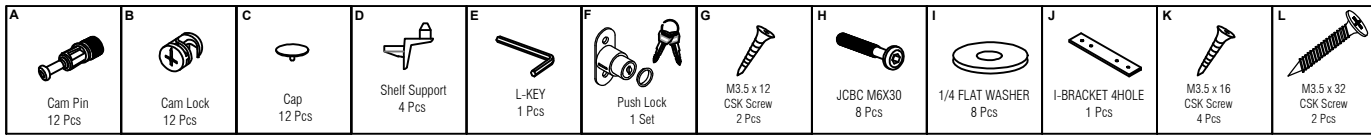


Assemble on cardboard or carpet for protection during assembly. 2-person assembly team suggested.

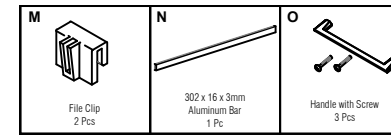
COMPONENTS



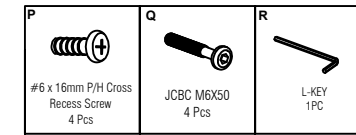
HARDWARE



PACKED WITH MX2 SC1242 A

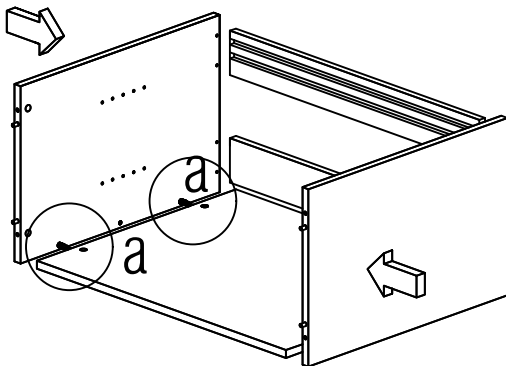


PACKED WITH MX2 SC1242 B

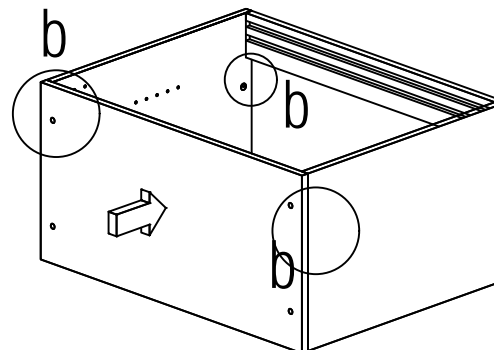


PACKED WITH MX2 MLB12042

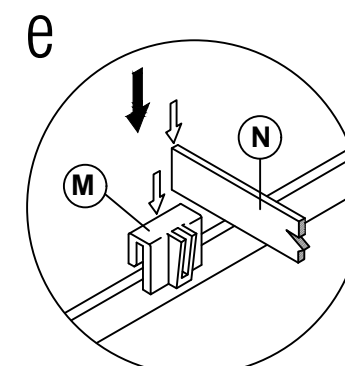
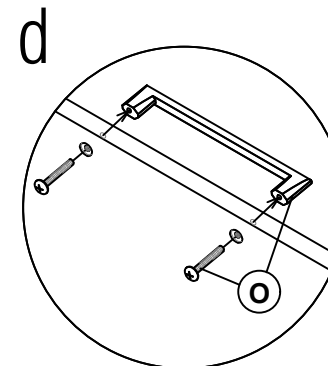
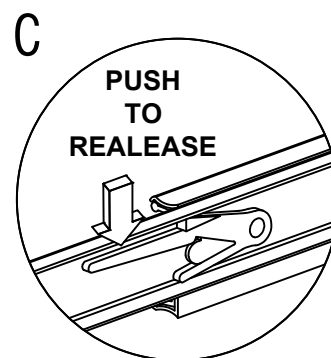
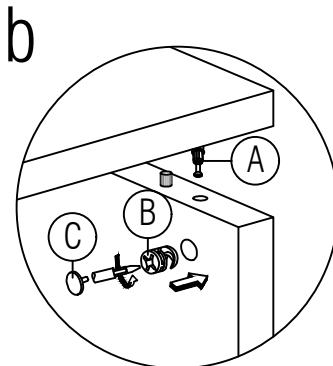
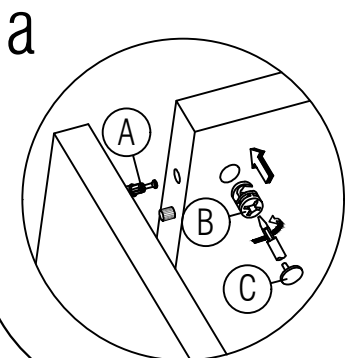
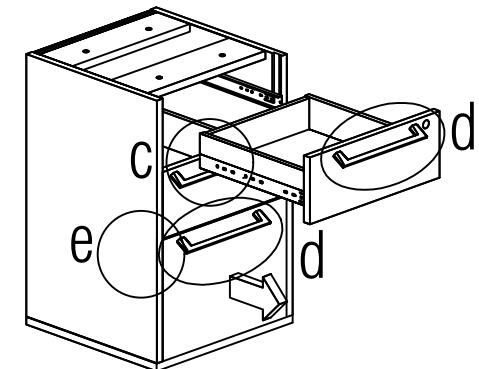
STEP 1



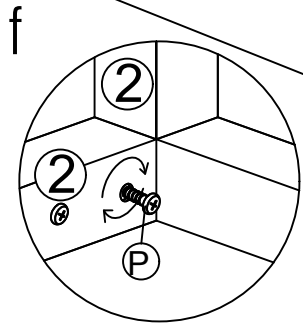
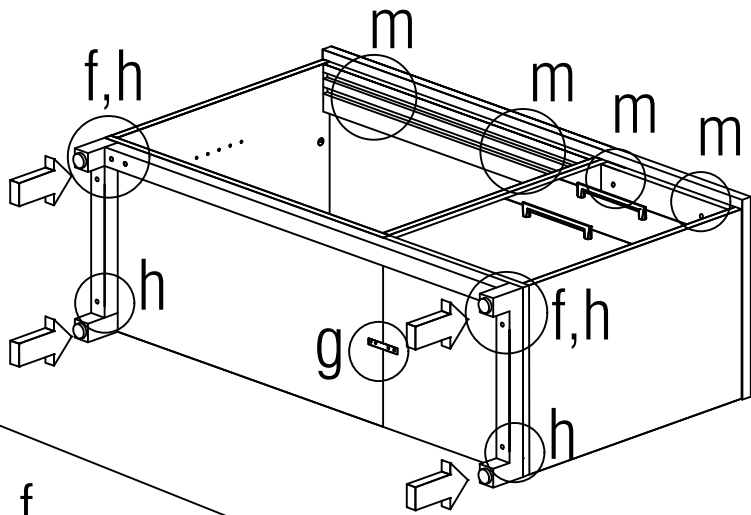
STEP 2



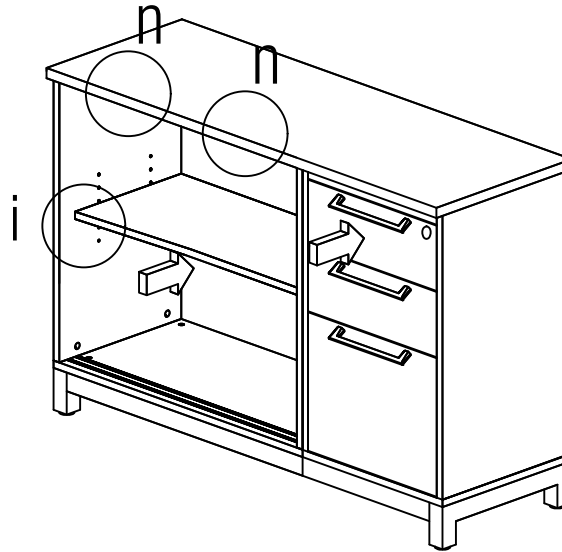
STEP 3



STEP 4



STEP 5



STEP 6

