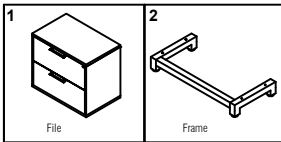
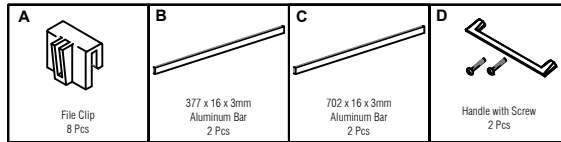


Assemble on cardboard or carpet for protection during assembly. 2-person assembly team suggested.

### PARTS

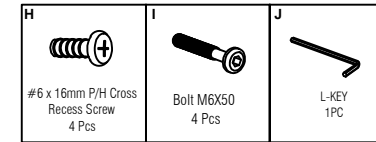


### HARDWARE



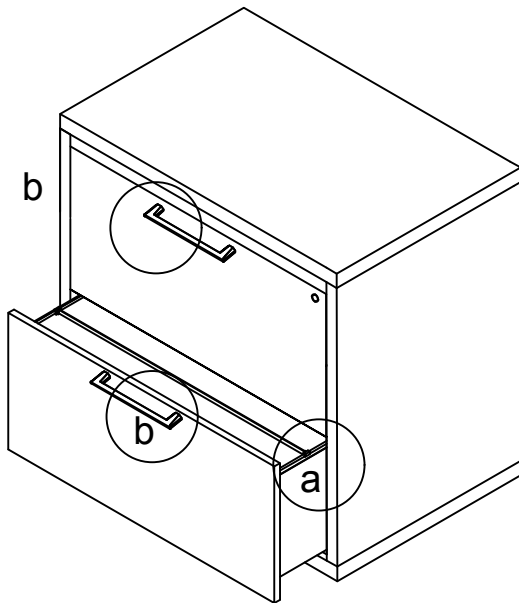
PACKED WITH MX2 LF2D(A)

### HARDWARE



PACKED WITH MX2 MLB8060

### STEP 1



### STEP 2

