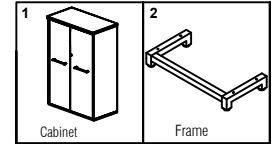
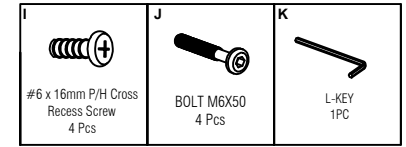
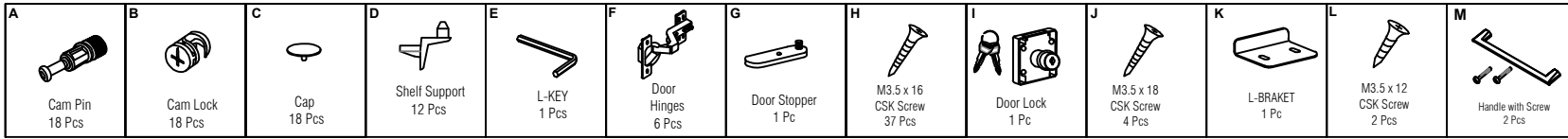


Assemble on cardboard or carpet for protection during assembly. 2-person assembly team suggested.

COMPONENTS



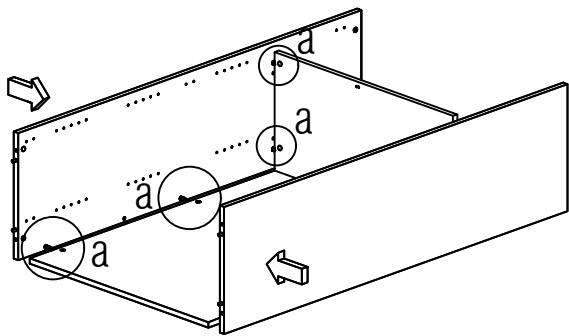
HARDWARE



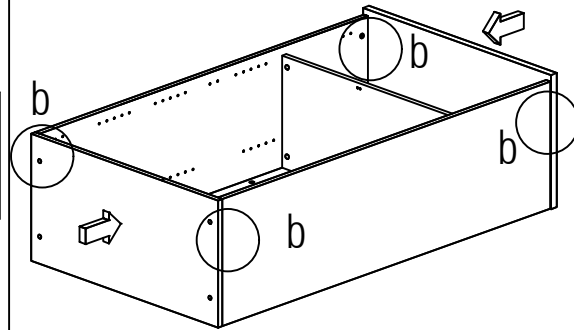
PACKED WITH MX2 HC1865

PACKED WITH MX2 MLB8042

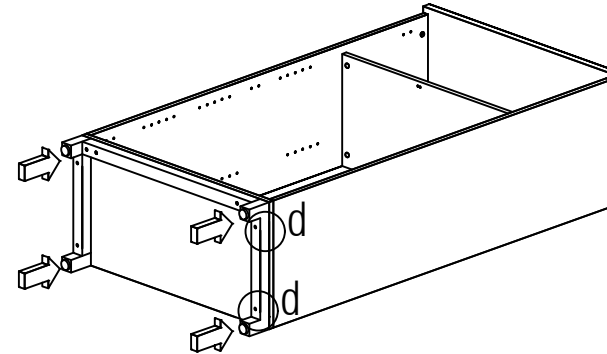
STEP 1



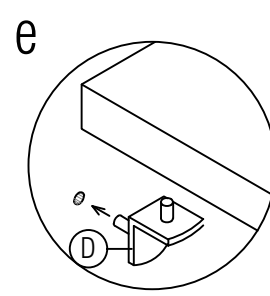
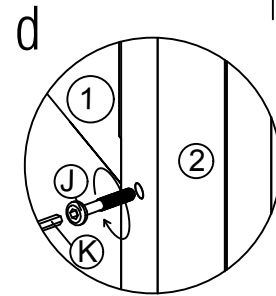
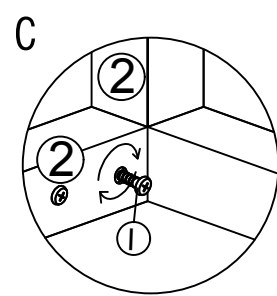
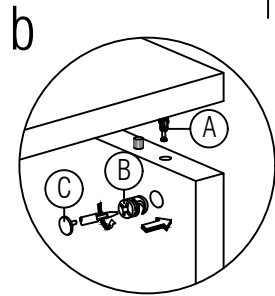
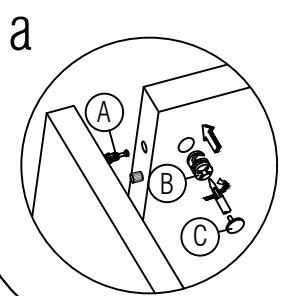
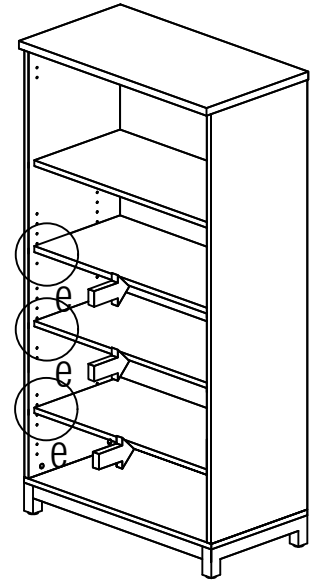
STEP 2

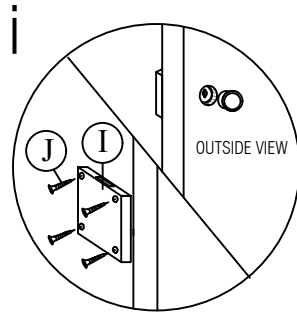
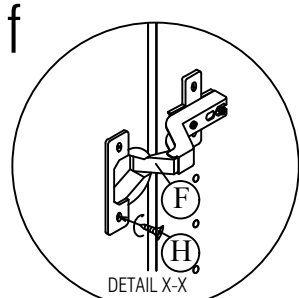


STEP 3

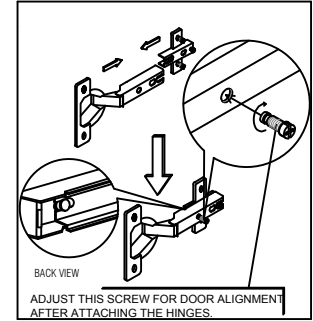
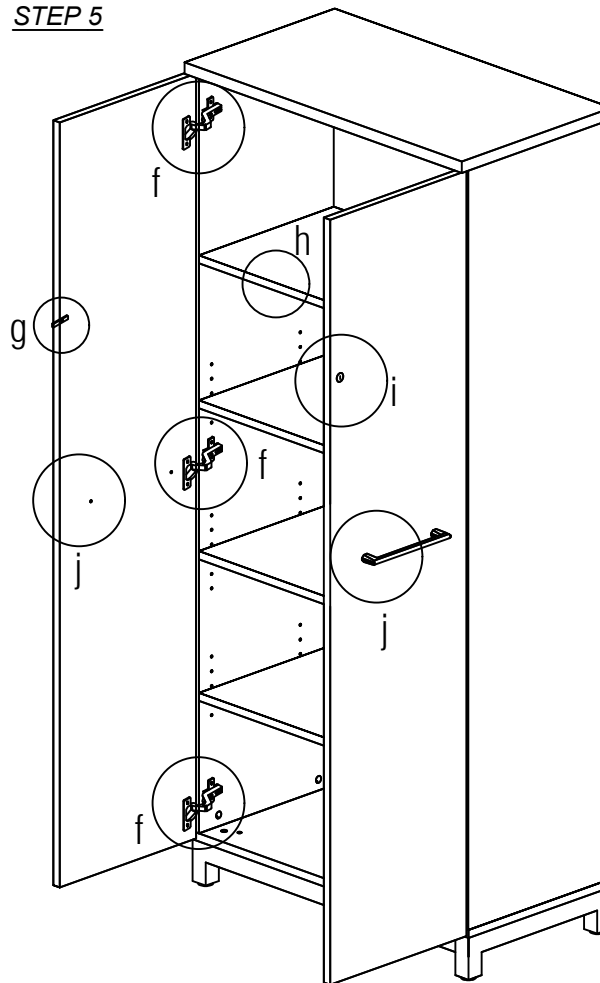


STEP 4

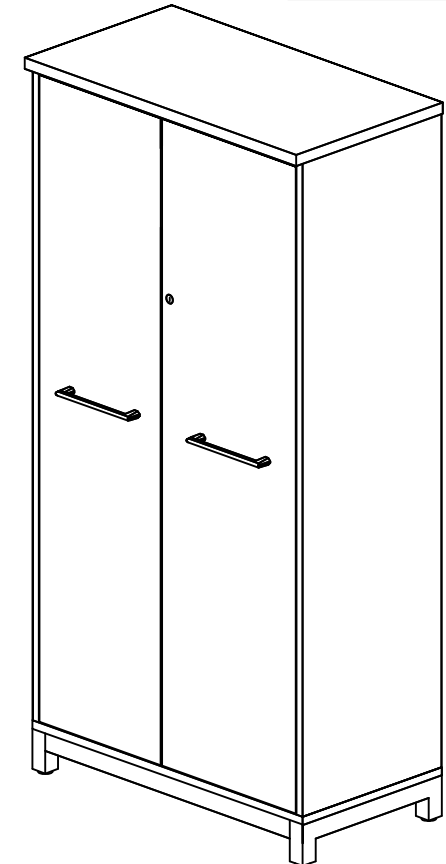
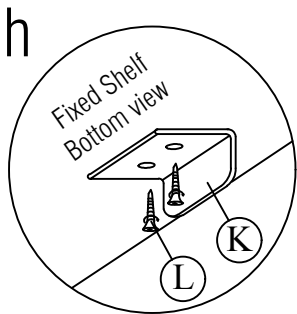
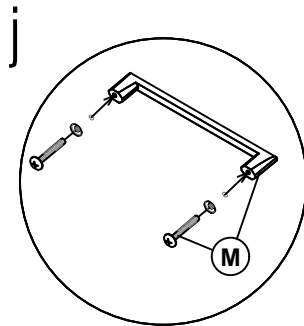
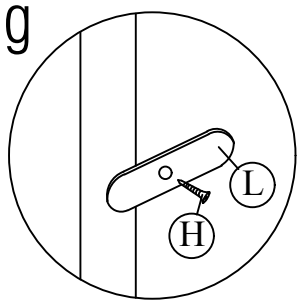




STEP 5



* ADJUST THIS BRACKET FOR ALIGNMENT THE LOCK AFTER ATTACHING THE DOOR.



COMPLETED ASSEMBLY