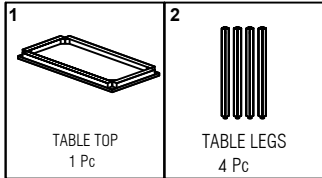
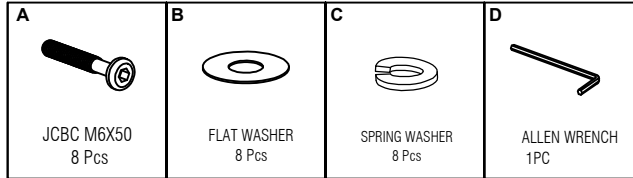


Assemble on cardboard or carpet for protection. 2-person assembly team suggested.

PARTS



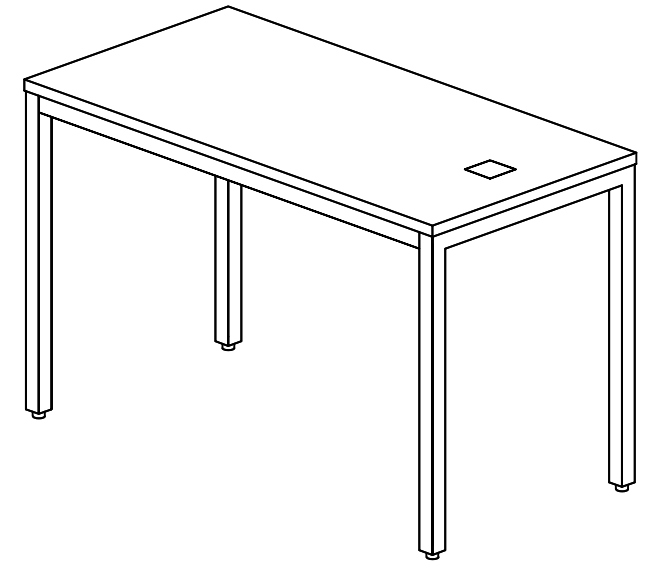
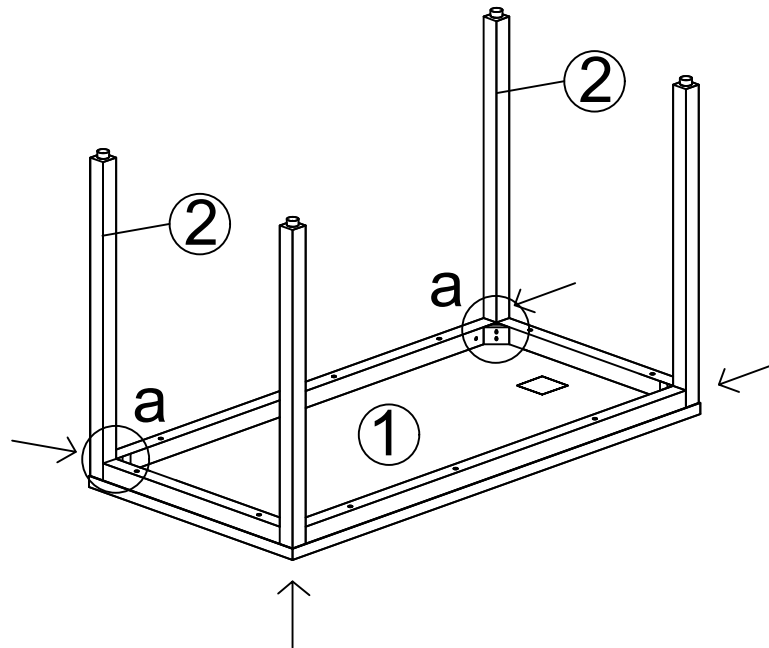
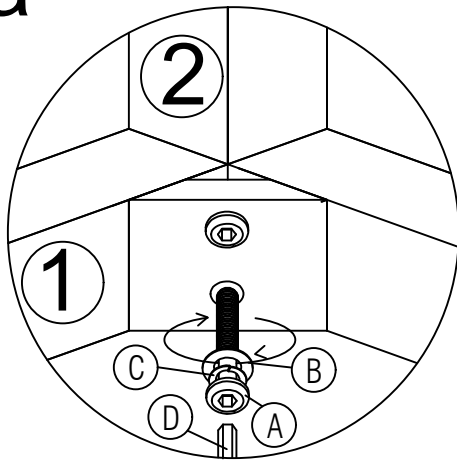
HARDWARE



PACKED WITH MX2 ML725

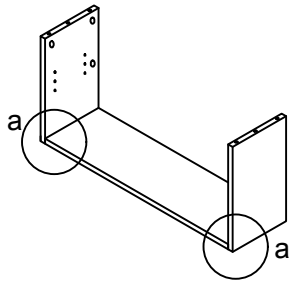
STEP 1:

a

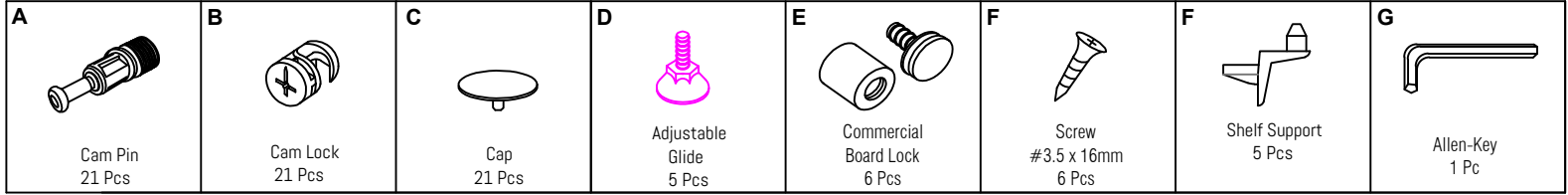
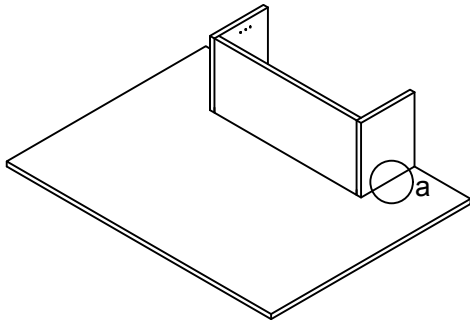


Assemble on cardboard or carpet for protection. 2-person assembly team suggested.

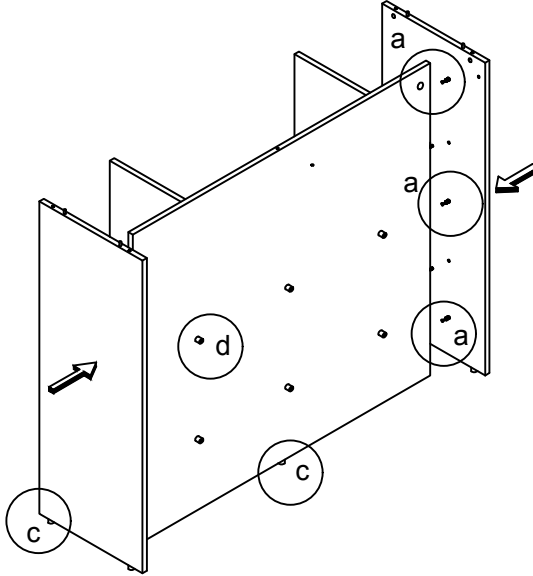
STEP:1



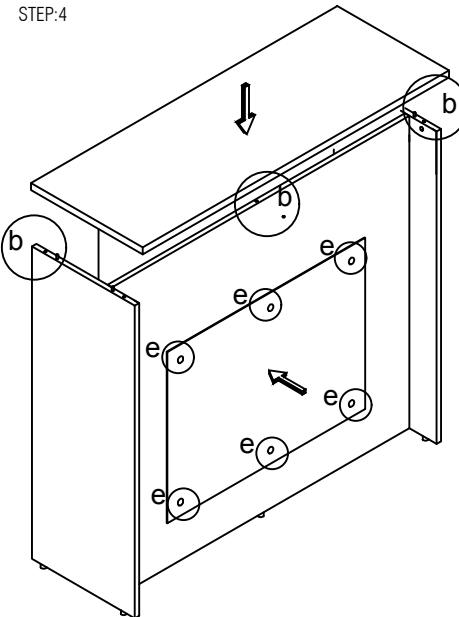
STEP:2



STEP:3



STEP:4



STEP:5

